



US00D947914S

(12) **United States Design Patent**
Rao et al.

(10) **Patent No.:** **US D947,914 S**

(45) **Date of Patent:** **** Apr. 5, 2022**

(54) **BASE PLATE FOR A PROCESSING CHAMBER SUBSTRATE SUPPORT**

FOREIGN PATENT DOCUMENTS

(71) Applicant: **Applied Materials, Inc.**, Santa Clara, CA (US)

TW D159673 11/2012
TW D183006 2/2016

(Continued)

(72) Inventors: **Shreesha Yogish Rao**, Milpitas, CA (US); **Mukund Sundararajan**, Bangalore (IN); **Cheng-Hsiung Matthew Tsai**, Cupertino, CA (US); **Manjunatha P. Koppa**, Bengaluru (IN); **Steven V. Sansoni**, Livermore, CA (US)

OTHER PUBLICATIONS

Search Report for Taiwan Design Application No. 109306844, dated May 30, 2021.

(Continued)

(73) Assignee: **APPLIED MATERIALS, INC.**, Santa Clara, CA (US)

Primary Examiner — Sheryl Lane

Assistant Examiner — Mark T. Philipps

(74) *Attorney, Agent, or Firm* — Moser Taboada

(**) Term: **15 Years**

(21) Appl. No.: **29/759,527**

(57) **CLAIM**

(22) Filed: **Nov. 23, 2020**

The ornamental design for a base plate for a processing chamber substrate support, as shown and described.

(51) **LOC (13) Cl.** **15-09**

(52) **U.S. Cl.**

USPC **D15/144.1**; D13/182

(58) **Field of Classification Search**

USPC D23/249, 259, 262, 269; D15/138, 139, D15/143, 144, 144.1, 144.2, 150, 199; D13/118, 122, 133, 162, 182, 184, 199; D22/113, 119

CPC H01J 37/3414; H01J 37/3423; H01L 21/02631; H01L 2221/68363; H01L 2224/75186-75189; H01L 21/67742; H01L 21/0226; H01L 21/02263; H01L 21/02266; H01L 21/02269; H01L

(Continued)

DESCRIPTION

FIG. 1 is a top isometric view of a base plate for a processing chamber substrate support, according to the novel design.

FIG. 2 is a bottom isometric view thereof.

FIG. 3 is a top plan view thereof.

FIG. 4 is a bottom plan view thereof.

FIG. 5 is a front elevation view thereof.

FIG. 6 is a back elevation view thereof.

FIG. 7 is a left side elevation view thereof.

FIG. 8 is a right side elevation view thereof.

FIG. 9 is a cross-sectional view taken along line 9-9 in FIG. 3; and,

FIG. 10 is a cross-sectional view taken along line 10-10 in FIG. 3.

The broken lines in the drawings depict portions of the article that form no part of the claimed design.

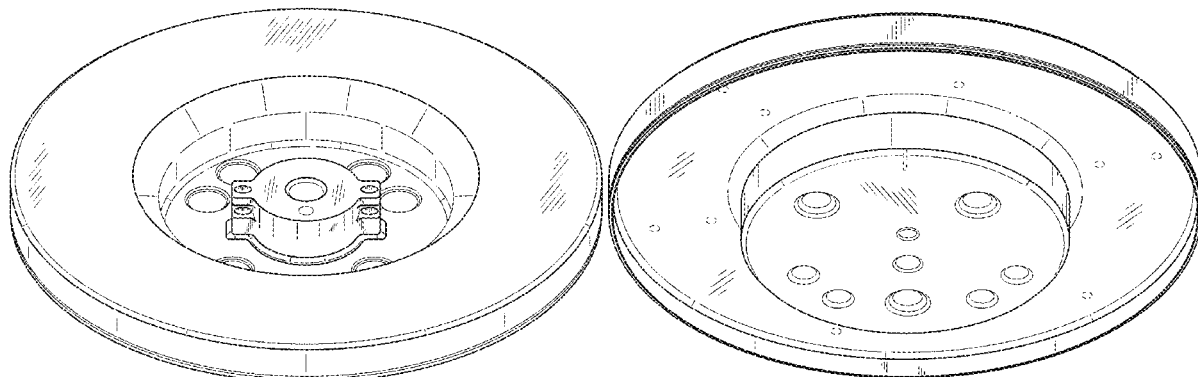
(56) **References Cited**

U.S. PATENT DOCUMENTS

D375,961 S 11/1996 Kotlarek et al.
6,046,885 A 4/2000 Aimonetti et al.
6,324,743 B1 12/2001 Gonnet et al.

(Continued)

1 Claim, 6 Drawing Sheets



US D947,914 S

Page 2

(58) **Field of Classification Search**

CPC 21/02271; F16J 7/00; E04D 13/14; C23C
14/3407; C23C 14/35

See application file for complete search history.

10,559,327 B2 2/2020 Yoshimura et al.
10,609,994 B2* 4/2020 Vanderminde F16M 13/00
D893,441 S * 8/2020 Rao D13/199
D916,037 S * 4/2021 Okajima D13/182
2005/0152089 A1* 7/2005 Matsuda H02N 13/00
361/234
2006/0133907 A1* 6/2006 Bullock B60P 7/0807
410/107
2011/0309724 A1* 12/2011 Min H02K 1/187
310/425
2018/0350653 A1* 12/2018 Jeong C23C 16/402

(56) **References Cited**

U.S. PATENT DOCUMENTS

6,673,651 B2 1/2004 Ohuchi et al.
6,853,533 B2 2/2005 Parkhe
7,324,307 B2 1/2008 Brink et al.
7,589,950 B2 9/2009 Parkhe et al.
7,697,260 B2 4/2010 Brown et al.
D616,390 S * 5/2010 Sato D13/182
D623,500 S 9/2010 Langner et al.
8,476,793 B2 7/2013 Aiello
D707,257 S * 6/2014 Song D15/5
9,666,467 B2 5/2017 Parkhe
9,668,873 B2 6/2017 Winslow et al.
D793,816 S 8/2017 Alteslaben
D802,546 S * 11/2017 Jang D13/182
9,853,579 B2 12/2017 Subramani et al.
D836,399 S * 12/2018 Ko D7/584
D847,982 S 5/2019 Falkenberg

FOREIGN PATENT DOCUMENTS

TW D175855 5/2016
TW D193794 11/2017
TW D196097 2/2018

OTHER PUBLICATIONS

Search Report for Taiwan Design Application No. 108308059001,
dated Jun. 1, 2021.

* cited by examiner

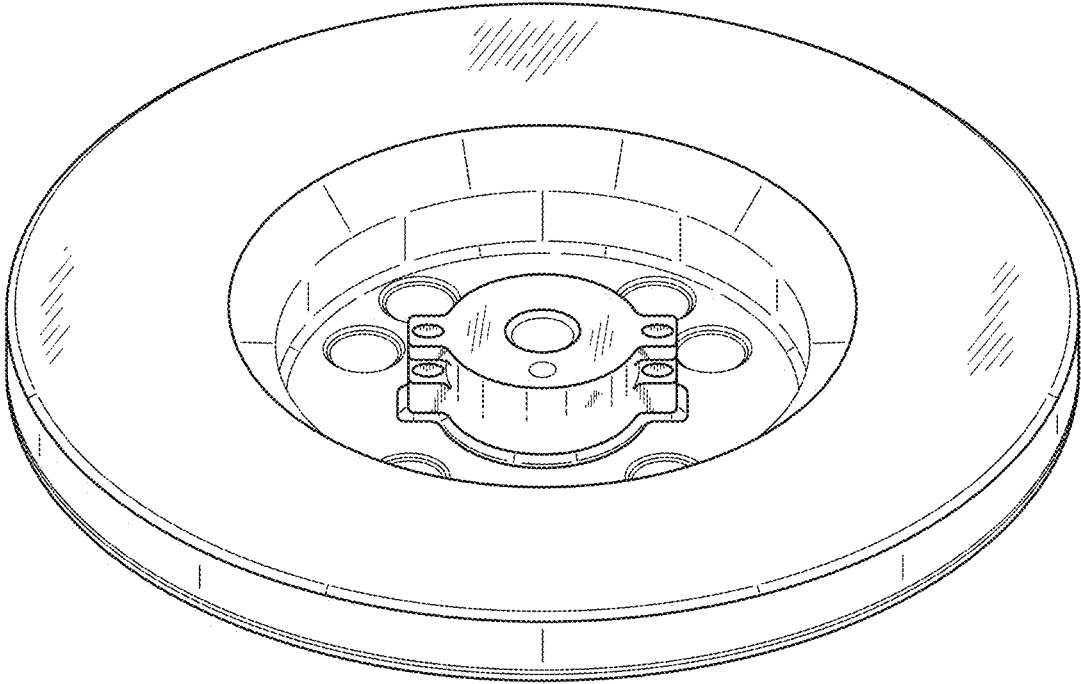


FIG. 1

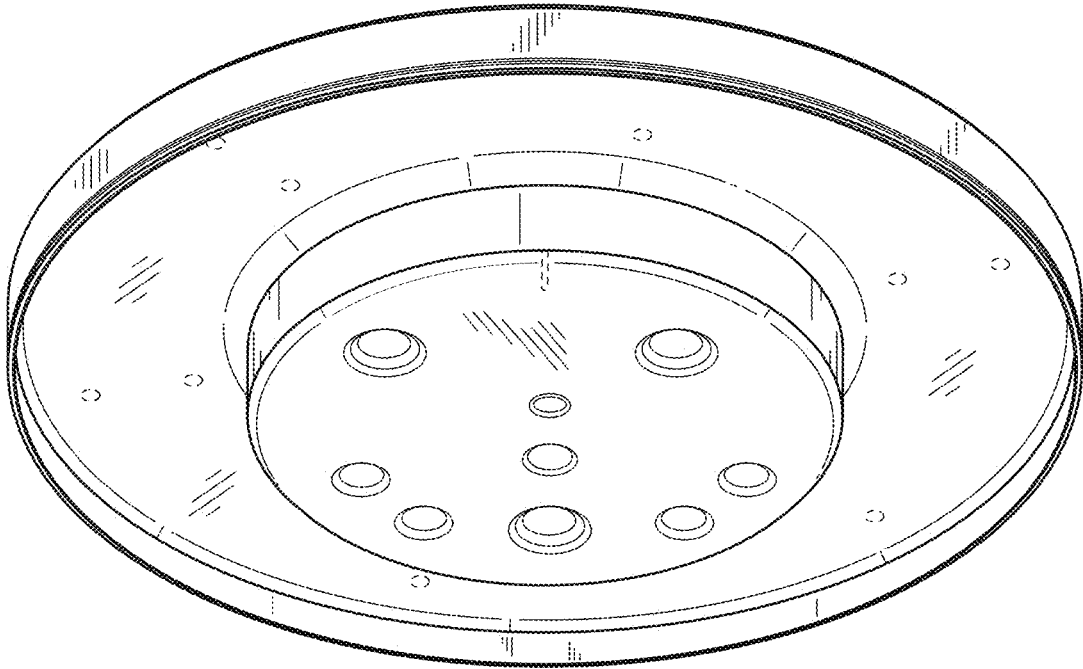


FIG. 2

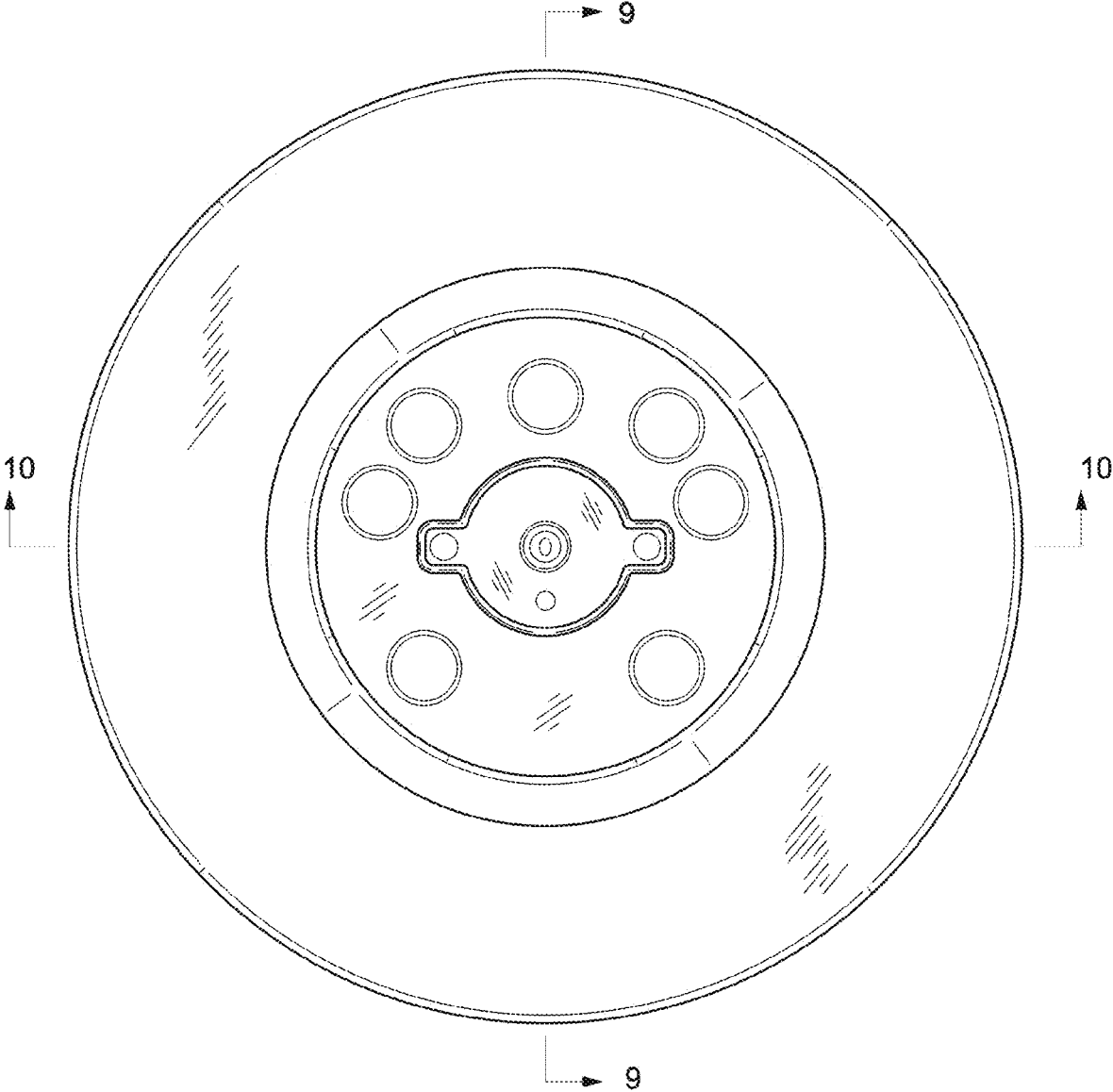


FIG. 3

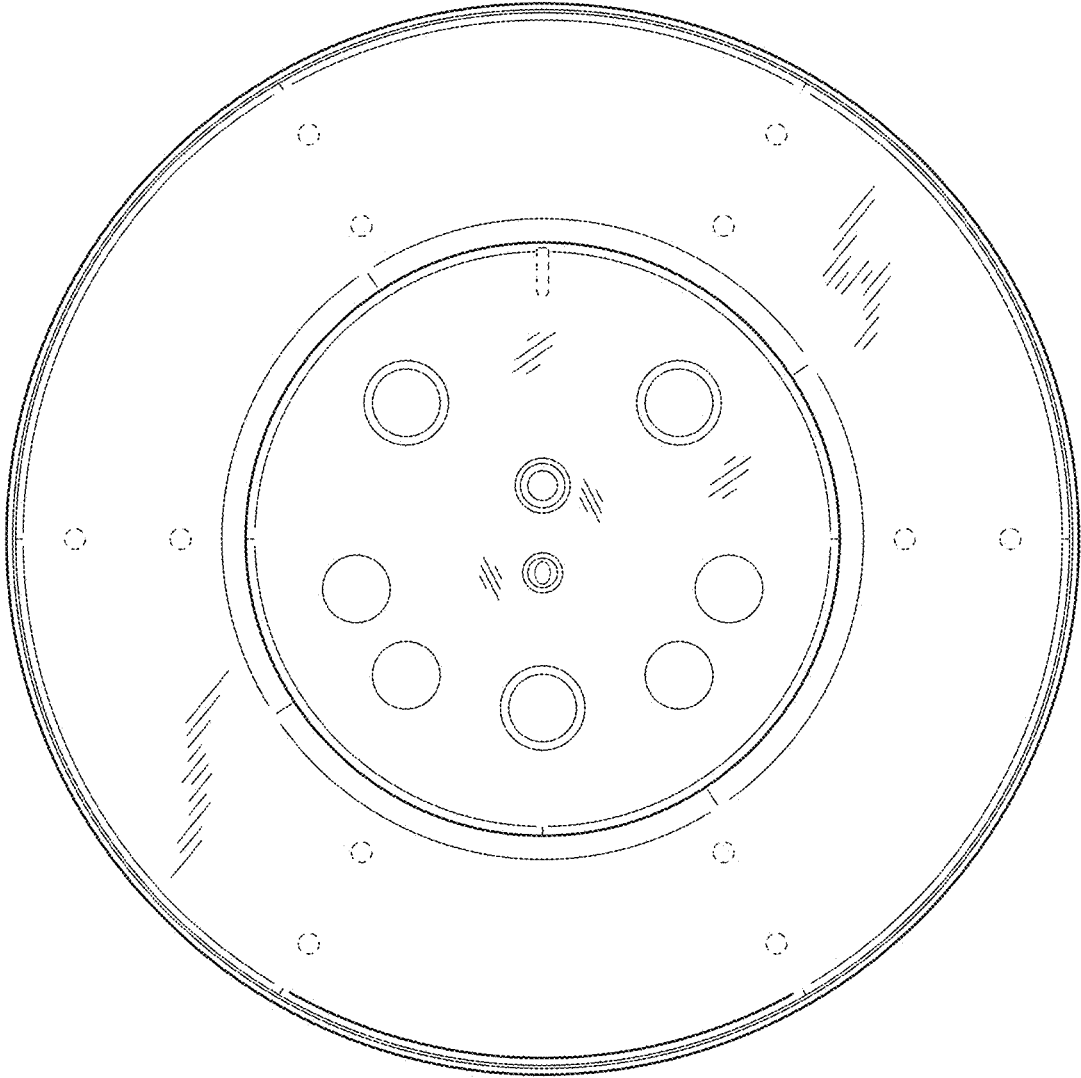


FIG. 4

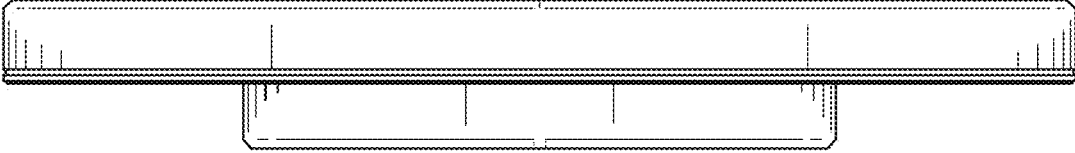


FIG. 5

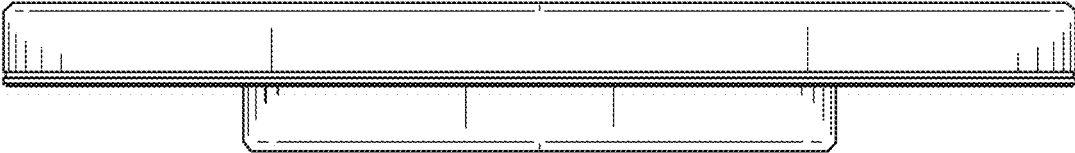


FIG. 6

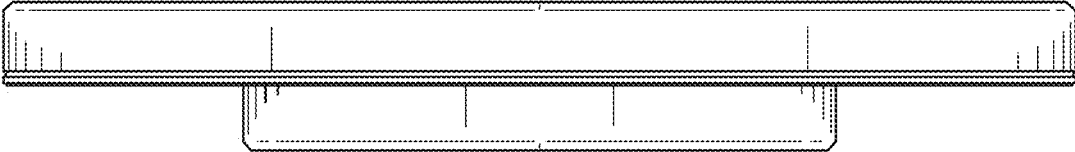


FIG. 7

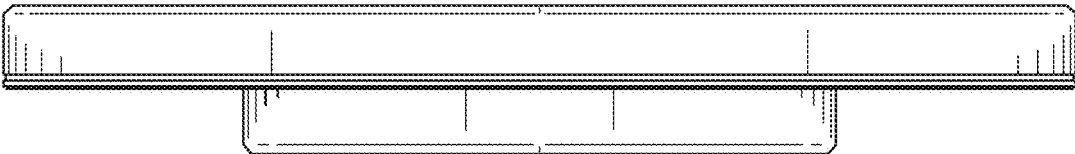


FIG. 8

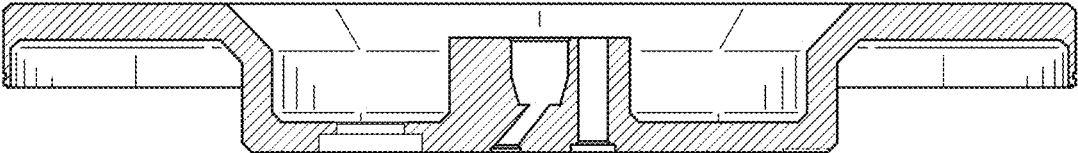


FIG. 9

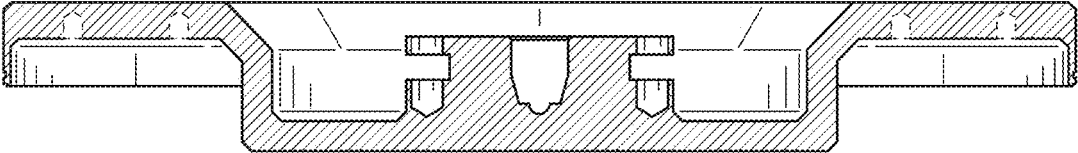


FIG. 10