



US00D821384S

(12) **United States Design Patent**  
**Jordin et al.**

(10) **Patent No.:** **US D821,384 S**  
(45) **Date of Patent:** **\*\* Jun. 26, 2018**

(54) **INSTALLATION FRAME FOR SCREEN PROTECTOR**

D710,345 S \* 8/2014 Chang ..... D14/250  
D710,839 S \* 8/2014 Chang ..... D14/250  
D718,757 S \* 12/2014 Jaffee ..... D14/250  
D718,758 S \* 12/2014 Jaffee ..... D14/250  
D761,779 S \* 7/2016 Tsai ..... D14/250

(71) Applicant: **ZAGG Intellectual Property Holding Co., Inc.**, Midvale, UT (US)

(Continued)

(72) Inventors: **Cherell Jordin**, Sandy, UT (US);  
**Christian Peterson**, Kaysville, UT (US);  
**Mike Jensen**, Riverton, UT (US);  
**Jordan Keith Melville**, Salt Lake City, UT (US)

*Primary Examiner* — Susan E Krakower  
*Assistant Examiner* — L. A. Grabenstetter  
(74) *Attorney, Agent, or Firm* — Thorpe, North & Western, LLP

(73) Assignee: **ZAGG Intellectual Property Holding Co.**, Midvale, UT (US)

(57) **CLAIM**

The ornamental design for an installation frame for screen protector, as shown and described.

(\*\*) Term: **15 Years**

(21) Appl. No.: **29/581,623**

**DESCRIPTION**

(22) Filed: **Oct. 20, 2016**

(51) **LOC (11) Cl.** ..... **14-03**

(52) **U.S. Cl.** ..... **D14/250**

(58) **Field of Classification Search**

USPC ..... **D14/250**  
D3/201, 218, 232, 233, 239, 242,  
D3/245-247, 250, 251, 269, 273, 301,  
D3/303; D13/103, 107, 108, 119;  
D14/137, 138 R, 138 AA, 138 C, 138 G,  
D14/203.3-203.7, 217, 238.1, 247, 248,  
D14/250, 251-253, 440  
CPC ..... H04B 1/3888; H04M 1/0283; H04M  
1/0202; A45C 1/06; A45C 2011/002;  
A45C 23/02; A45C 11/00; A45F  
2005/028; A45F 2200/0525; A45F  
2200/0518

FIG. 1 is a top perspective view of a first embodiment of the installation frame for screen protector in accordance with our invention;  
FIG. 2 is a bottom perspective view hereof;  
FIG. 3 is a top plan view thereof;  
FIG. 4 is a bottom plan view thereof;  
FIG. 5 is a right side elevation view thereof;  
FIG. 6 is a left side elevation view thereof;  
FIG. 7 is a front elevation view thereof; and  
FIG. 8 is a rear elevation view thereof;  
FIG. 9 is a top perspective view of second embodiment of the installation frame for screen protector in accordance with our invention;  
FIG. 10 is a bottom perspective view thereof;  
FIG. 11 is a top plan view thereof;  
FIG. 12 is a bottom plan view thereof;  
FIG. 13 is a right side elevation view thereof;  
FIG. 14 is a left side elevation view thereof;  
FIG. 15 is a front elevation view thereof; and,  
FIG. 16 is a rear elevation view thereof.  
The broken lines in FIGS. 1, 3-6, 9, 11, 13 and 14 represent features of the installation frame for screen protector that form no part of the claimed design.

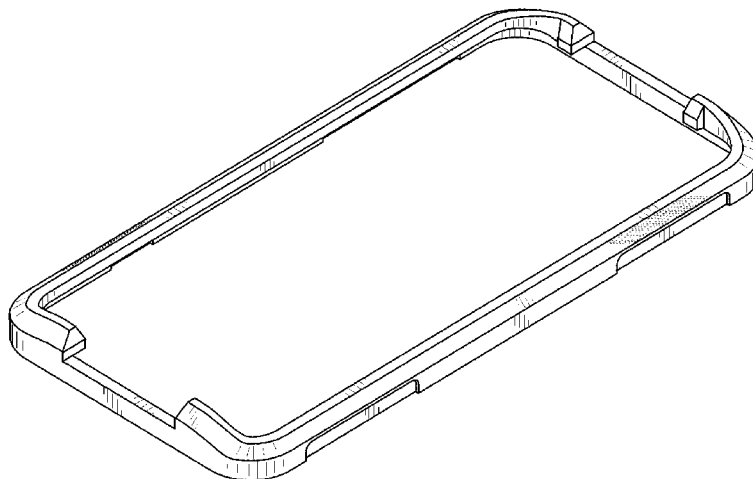
See application file for complete search history.

(56) **References Cited**

**U.S. PATENT DOCUMENTS**

D671,930 S \* 12/2012 Akana ..... D14/250  
D679,695 S \* 4/2013 Fahrendorff ..... D14/250  
D705,206 S \* 5/2014 Gengler ..... D14/250  
D706,255 S \* 6/2014 Akana ..... D14/250

**1 Claim, 7 Drawing Sheets**



(56)

**References Cited**

U.S. PATENT DOCUMENTS

2015/0173229	A1*	6/2015	Chao .....	B65D 81/02 206/524.2
2016/0015138	A1*	1/2016	Poon .....	A45C 11/00 224/191

\* cited by examiner

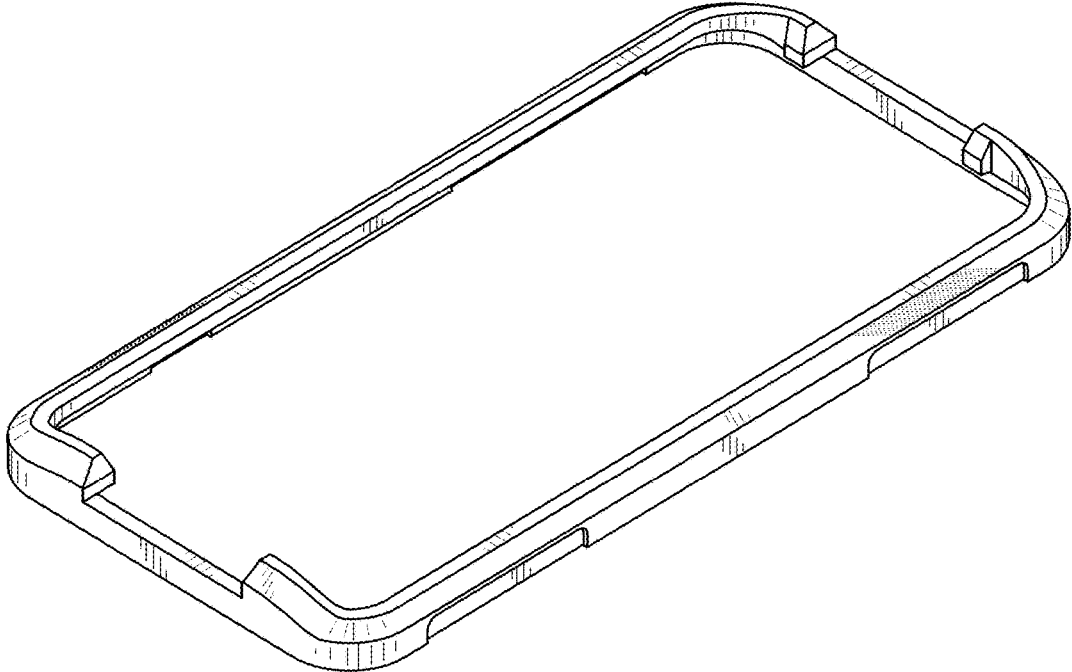


FIG. 1

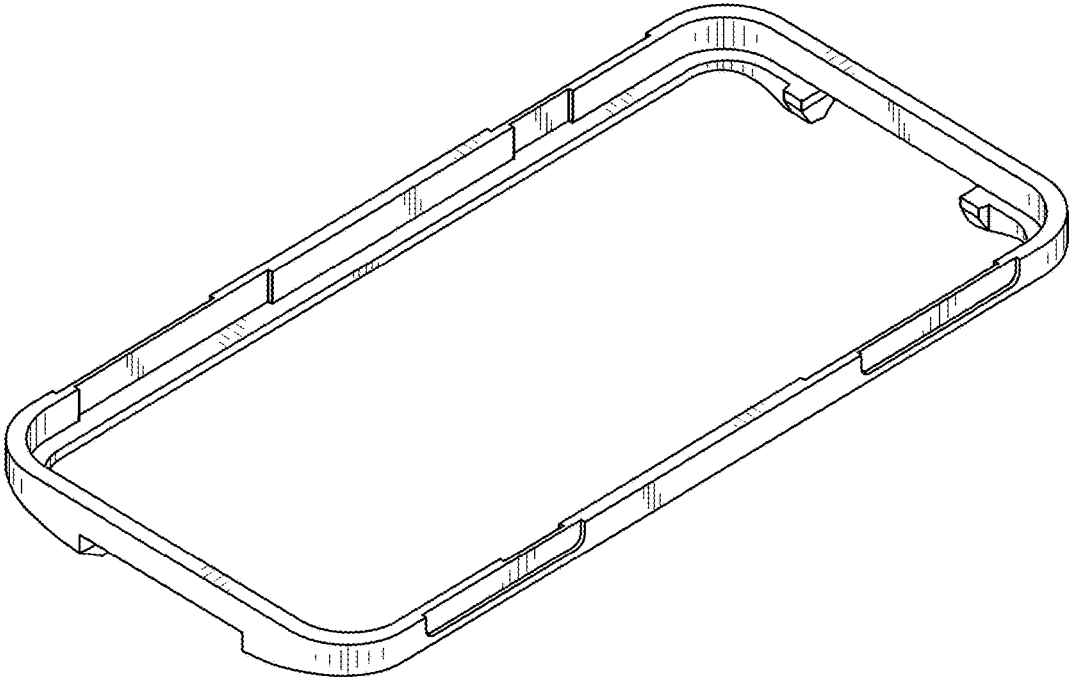
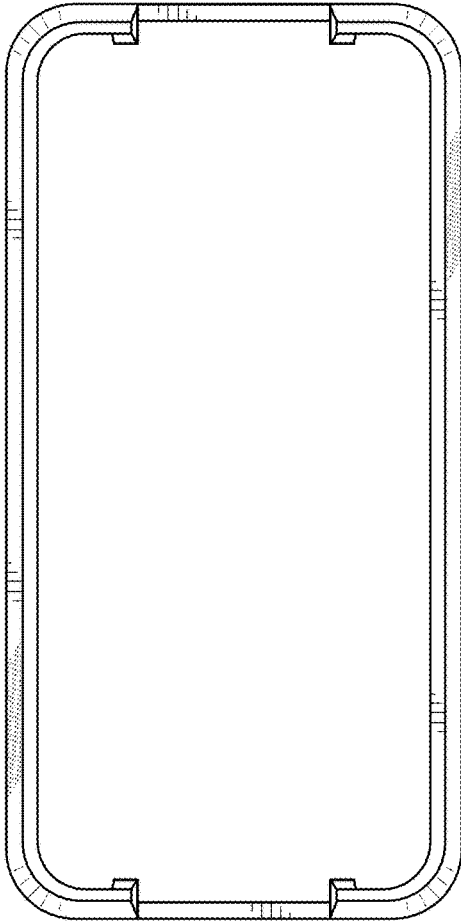
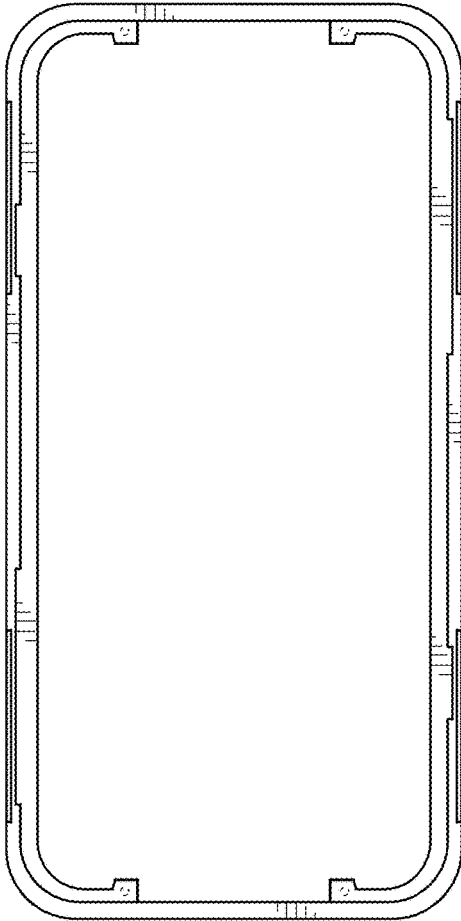


FIG. 2



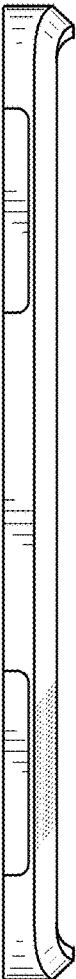
**FIG. 3**



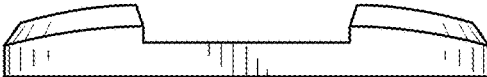
**FIG. 4**



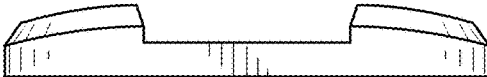
**FIG. 5**



**FIG. 6**



**FIG. 7**



**FIG. 8**

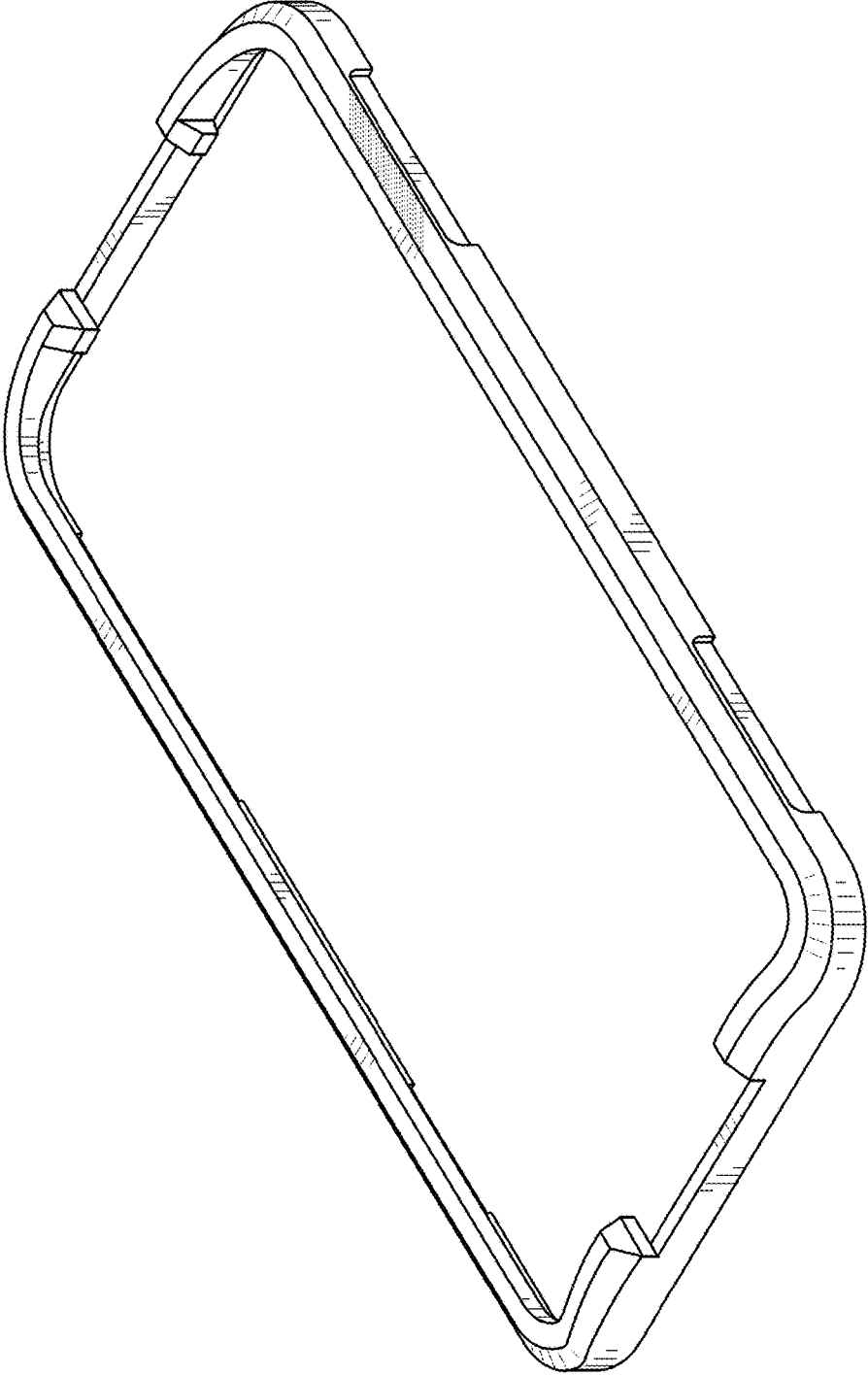
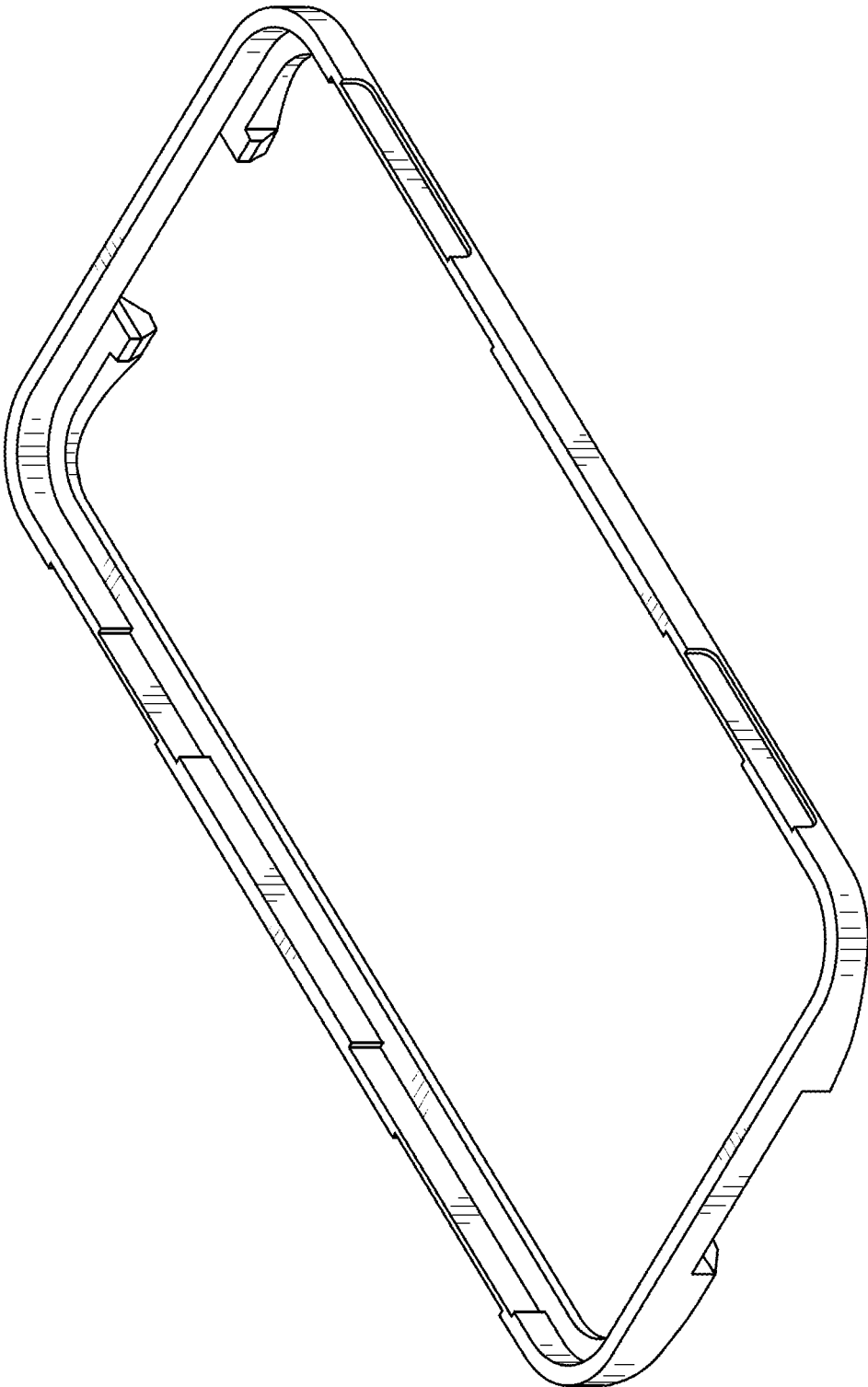
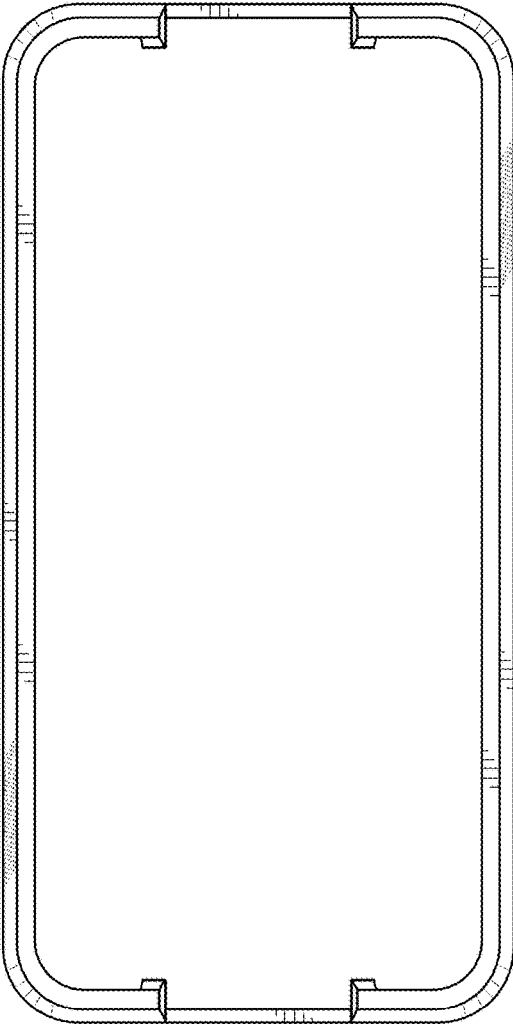


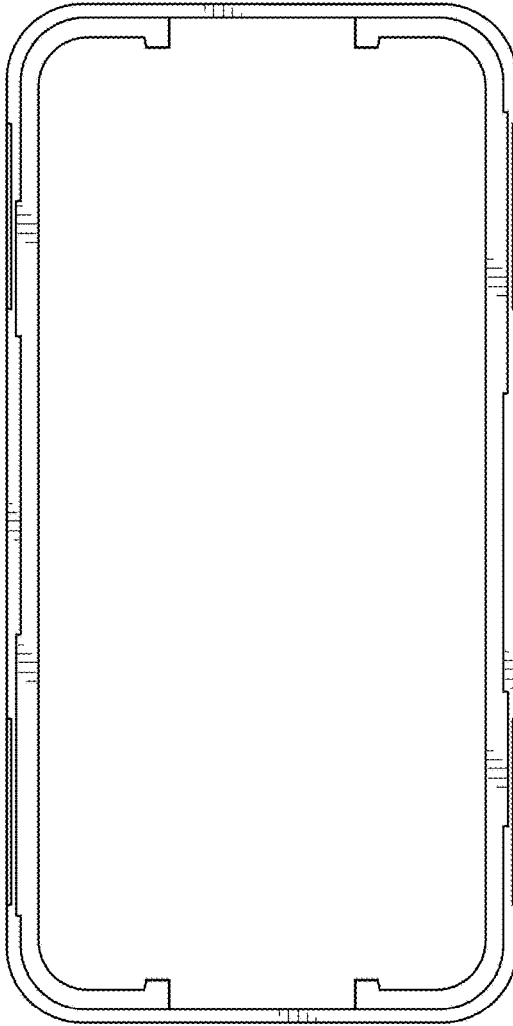
FIG. 9



**FIG. 10**



**FIG. 11**

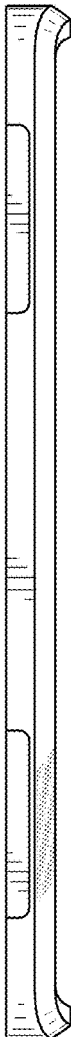


**FIG. 12**

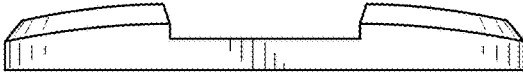




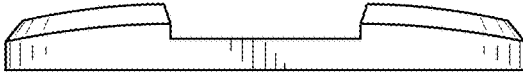
**FIG. 13**



**FIG. 14**



**FIG. 15**



**FIG. 16**