

(12) **United States Design Patent** (10) **Patent No.:** **US D871,539 S**  
**Bentham** (45) **Date of Patent:** **\*\* Dec. 31, 2019**

(54) **RETICLE FOR A TELESCOPIC GUN SCOPE**

FOREIGN PATENT DOCUMENTS

(71) Applicant: **NIKON INC.**, Melville, NY (US)

WO 2006/060007 A1 6/2006

(72) Inventor: **Jeremiah David Bentham**, Beaverton, OR (US)

OTHER PUBLICATIONS

(73) Assignee: **NIKON INC.**, Melville, NY (US)

Nikon Black X1000, 4-16x50SF, X-MOA Reticle, Rifle Scope, SportsmansGuide.com, [online], [site visited Jul. 20, 2019]. <URL: <https://www.sportsmansguide.com/product/index/nikon-black-x1000-4-16x50sf-x-moa-reticle-rifle-scope?a=2132386>> (Year: 2019).\*

(\*\*) Term: **15 Years**

(Continued)

(21) Appl. No.: **29/634,069**

(22) Filed: **Jan. 18, 2018**

*Primary Examiner* — T Chase Nelson

*Assistant Examiner* — Jonathan J. Han

(51) **LOC (12) Cl.** ..... **22-01**

(74) *Attorney, Agent, or Firm* — Oliff PLC

(52) **U.S. Cl.**

(57) **CLAIM**

USPC ..... **D22/109**

(58) **Field of Classification Search**

The ornamental design for a reticle for a telescopic gun scope, as shown and described.

USPC ..... D22/109; D16/130-136; 359/424, 428; 89/19, 161, 200-204; 235/414; 42/111, 42/113, 122, 124, 130, 134, 135; 33/227, 33/297, 298, 299; 356/21, 138, 139, 356/139.1, 139.02; D14/404; 250/467.1

**DESCRIPTION**

See application file for complete search history.

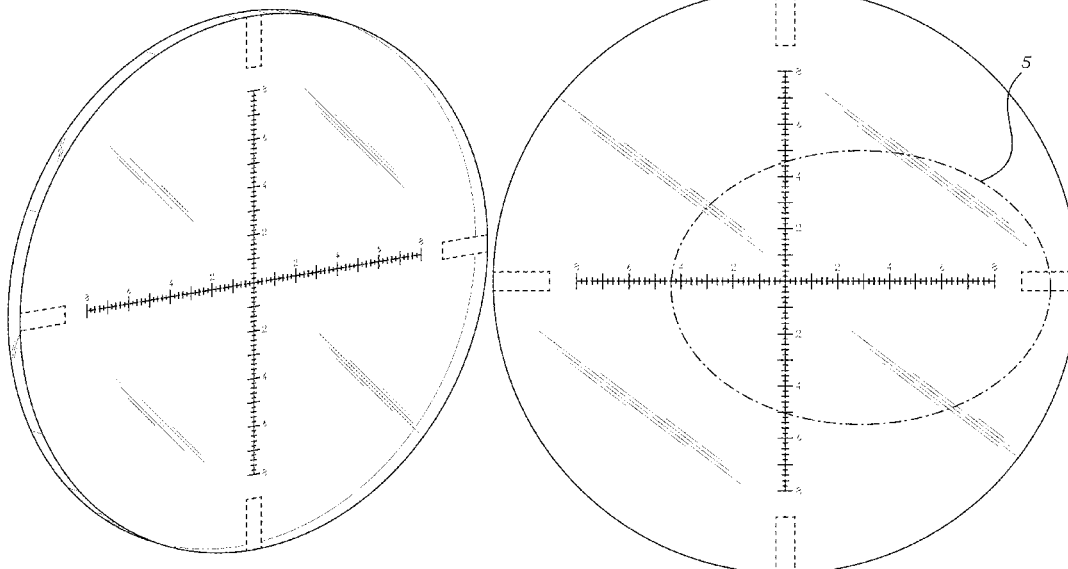
(56) **References Cited**

U.S. PATENT DOCUMENTS

6,729,062 B2	5/2004	Thomas et al.	
D532,477 S *	11/2006	Zaderey	D22/108
D567,324 S *	4/2008	Pride	D22/109
D567,896 S *	4/2008	Pride	D22/109
D609,769 S *	2/2010	Lacorte	D22/109
D630,291 S	1/2011	Pride	
D632,754 S	2/2011	Pride	
7,877,886 B1 *	2/2011	Hamilton	F41G 1/12 33/297
7,946,073 B1	5/2011	Buck	
D654,136 S *	2/2012	Huber	D22/109
D679,776 S *	4/2013	Bracken	D22/108
D679,777 S *	4/2013	Bracken	D22/108

(Continued)

**1 Claim, 4 Drawing Sheets**



(56)

**References Cited**

## U.S. PATENT DOCUMENTS

D703,784	S *	4/2014	Smith	.....	D22/109
8,705,173	B2	4/2014	Peters et al.		
D715,395	S *	10/2014	Young	.....	D22/109
D722,360	S *	2/2015	Pride	.....	D22/109
D733,248	S *	6/2015	Moyle	.....	D22/109
9,068,799	B1	6/2015	Wu		
9,091,507	B2 *	7/2015	Paterson	.....	F41G 3/06
D741,445	S	10/2015	Pride		
D745,168	S *	12/2015	White	.....	F41G 1/38 D24/172
D755,269	S *	5/2016	Pride	.....	D16/130
D760,340	S *	6/2016	Goess	.....	D22/109
D767,659	S *	9/2016	Mikroulis	.....	D16/134
D767,661	S	9/2016	Mikroulis		
D768,221	S *	10/2016	Mikroulis	.....	D16/134
D781,989	S *	3/2017	Pride	.....	D16/136
D783,763	S *	4/2017	Pride	.....	D16/136
D785,096	S *	4/2017	Edwards	.....	D20/11
D793,517	S *	8/2017	Pride	.....	D16/136
D796,621	S	9/2017	Walker		
D802,702	S *	11/2017	Zhang	.....	D22/109
D805,156	S	12/2017	Noller et al.		
D838,335	S *	1/2019	Hamilton	.....	D22/109
D850,565	S *	6/2019	Mikroulis	.....	D22/109
D850,567	S *	6/2019	Mikroulis	.....	D22/109
D854,113	S *	7/2019	Hamilton	.....	D22/109
2011/0296733	A1 *	12/2011	York	.....	F41G 1/38 42/131
2013/0160346	A1	6/2013	White et al.		
2015/0276346	A1	10/2015	Hamilton et al.		
2017/0123224	A1	5/2017	Hamilton		

## OTHER PUBLICATIONS

Leupold VX-Freedom Rifle Scope 4-12 40mm Tri-MOA Reticle Matte, MidwayUSA.com, [online], [site visited Jul. 20, 2019]. <URL: <https://www.midwayusa.com/product/1019637758/leupold-vx-freedom-rifle-scope-4-12x-40mm-tri-moa-reticle-matte>> (Year: 2019).\*

Sig Sauer SOT46002 Tango4Rifle Scope, 6-24x50mm, MRAD Milling Reticle, Front Focal Plane, 0.1 MRAD Adjustment, Graphite, TheRifleScopeStore.com, [online], [site visited Jul. 20, 2019]. <URL: <https://www.theriflescopestore.com/sig-sauer-sot46002-tango4-rifle-scope-6-24x50mm-mrad-milling-reti>> (Year: 2019).\*

Nightforce Optics, Inc. "Reticle MIL-R, First and Second Focal Plane". Jan. 2016. <[http://www.nightforceoptics.com/sites/default/files/NFO\\_MILR\\_20160114.pdf](http://www.nightforceoptics.com/sites/default/files/NFO_MILR_20160114.pdf)>.

\* cited by examiner

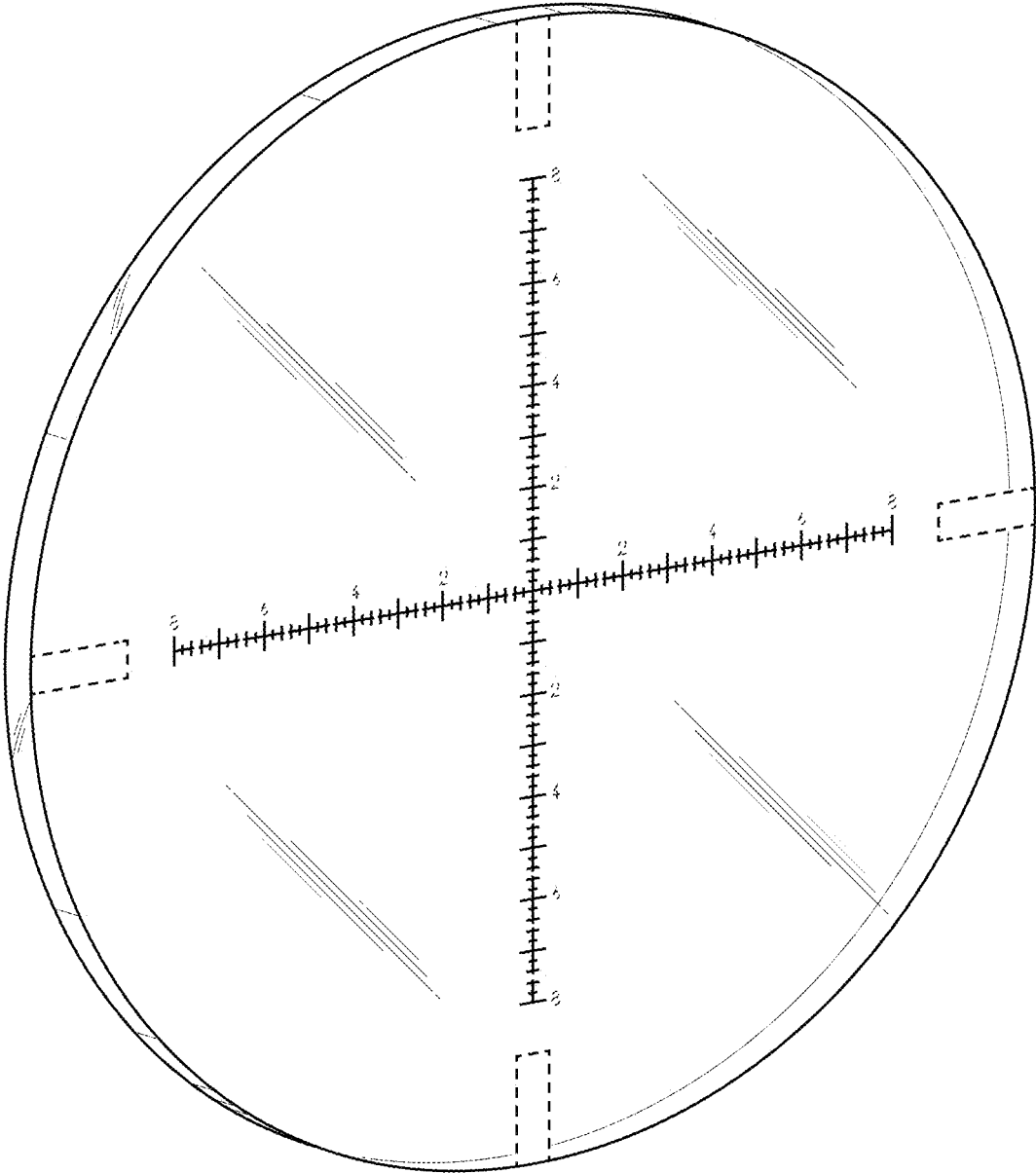


FIG. 1

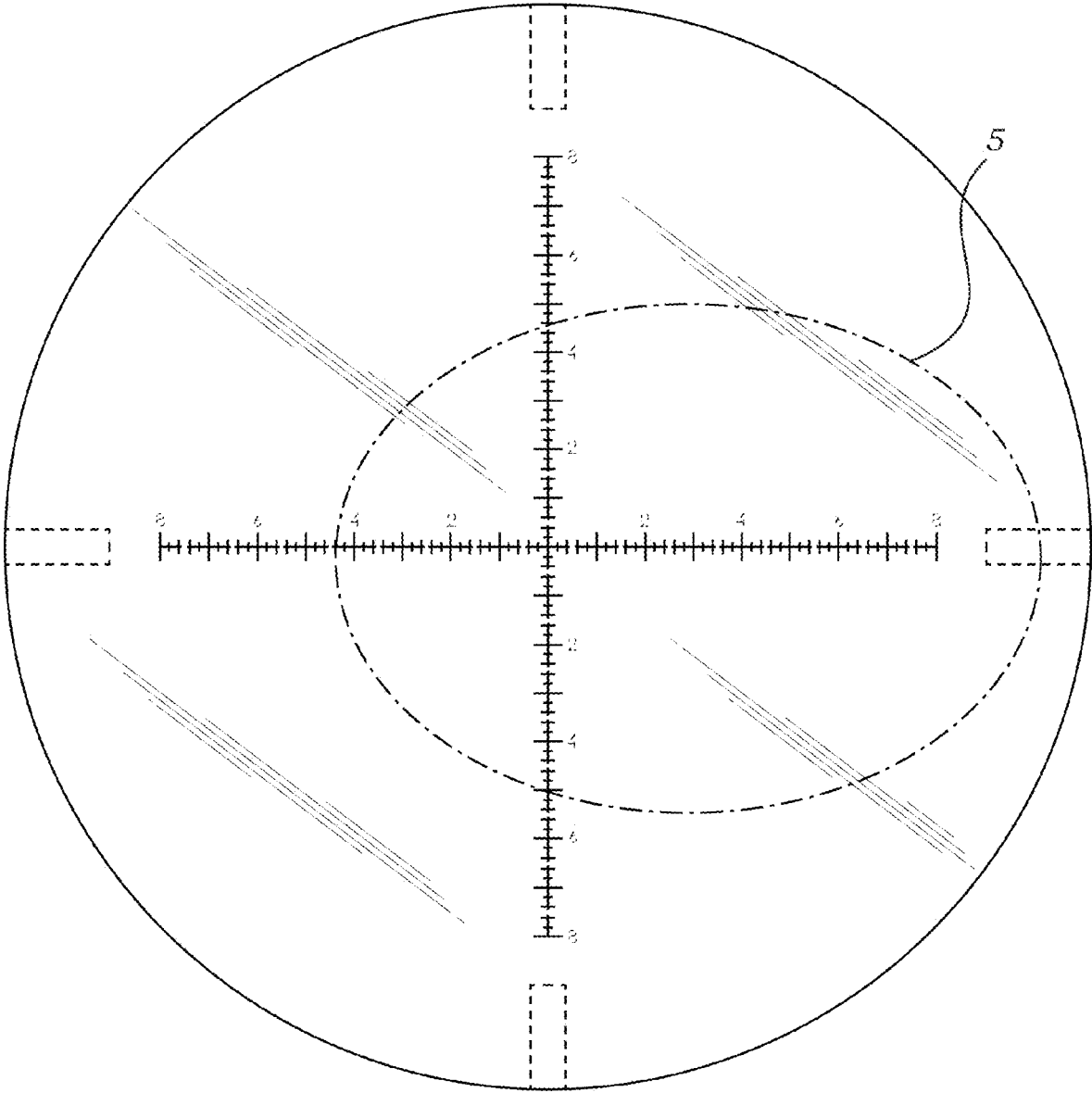


FIG. 2



FIG. 3



FIG. 4

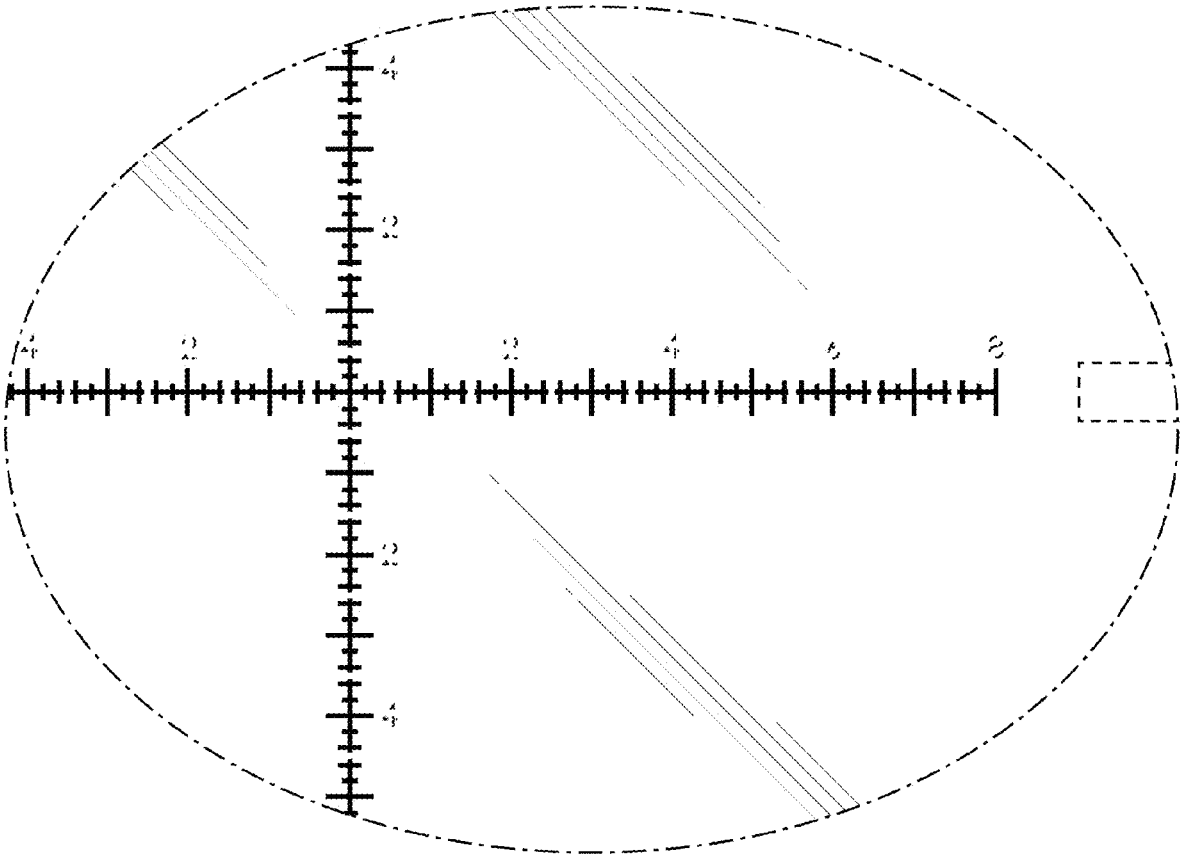


FIG. 5