



US00D423983S

United States Patent [19]

[11] Patent Number: Des. 423,983

Goldman et al.

[45] Date of Patent: ** May 2, 2000

[54] **POTTING TUB**

[76] Inventors: **Robert I. Goldman; Ruth Goldman**,
both of P.O. Box 710222, Santee, Calif.
92072

[**] Term: **14 Years**

[21] Appl. No.: **29/111,794**

[22] Filed: **Oct. 5, 1999**

[51] **LOC (7) Cl.** **11-02**

[52] **U.S. Cl.** **D11/143**

[58] **Field of Search** D11/143-156;
D3/304, 307, 312; D6/403, 510; D7/543,
545, 554.3; D19/90, 92; D34/38; 47/41.13,
65.5, 68, 73; 206/423; 220/801; 248/27.8

[56] **References Cited**

U.S. PATENT DOCUMENTS

- D. 210,750 4/1968 Paxton D11/155
- D. 217,827 6/1970 Parker, Sr. D7/543

- D. 237,020 9/1975 Valentine D3/304
- D. 242,266 11/1976 Beh D11/156
- D. 267,242 12/1982 Smith et al. D11/155
- D. 269,657 7/1983 Taylor D6/510
- D. 340,617 10/1993 Douglas D7/543
- D. 391,687 3/1998 McMahon D19/92

Primary Examiner—Doris V. Coles
Assistant Examiner—Mimosa De
Attorney, Agent, or Firm—Henri J. A. Charmasson; John D.
Buchaca

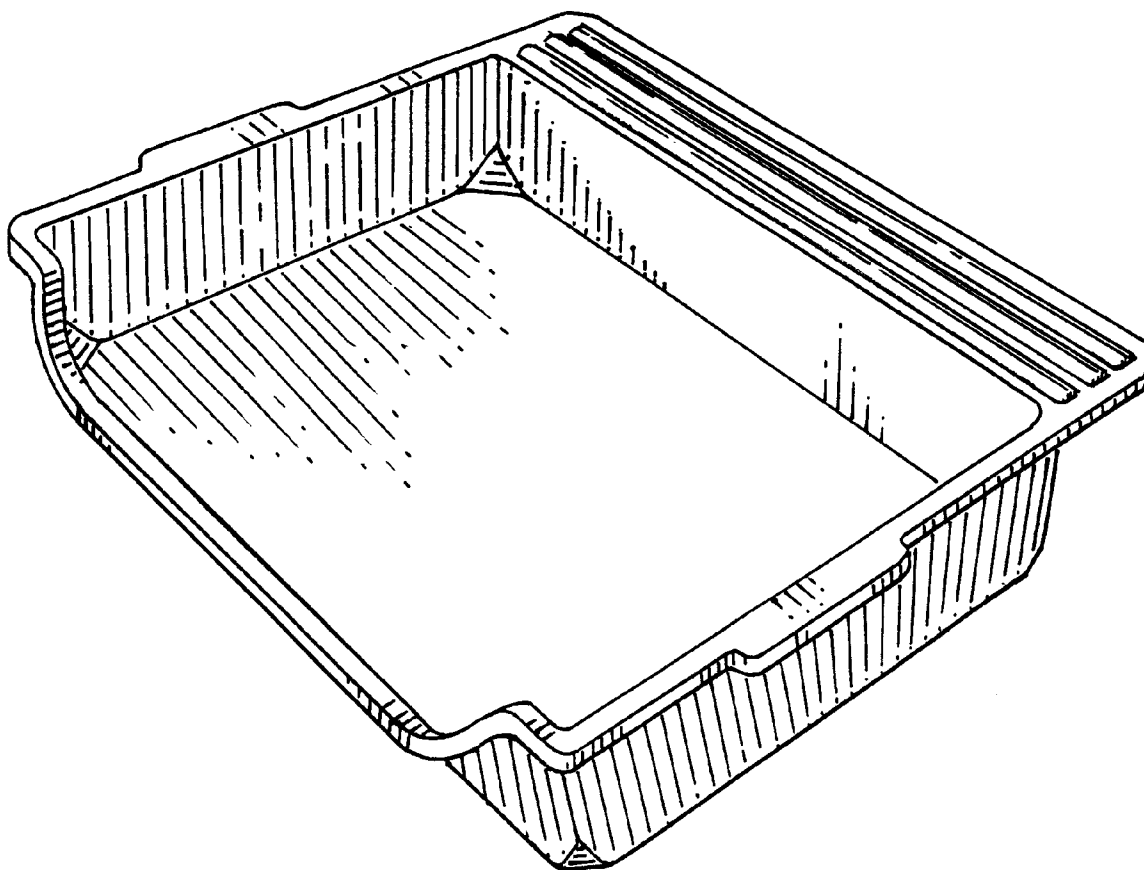
CLAIM

[57] The ornamental design for a potting tub, as shown and described.

DESCRIPTION

FIG. 1 is a front, top and left side perspective view of a potting tub showing our new design; and, FIG. 2 is a back, bottom and right side perspective view thereof.

1 Claim, 1 Drawing Sheet



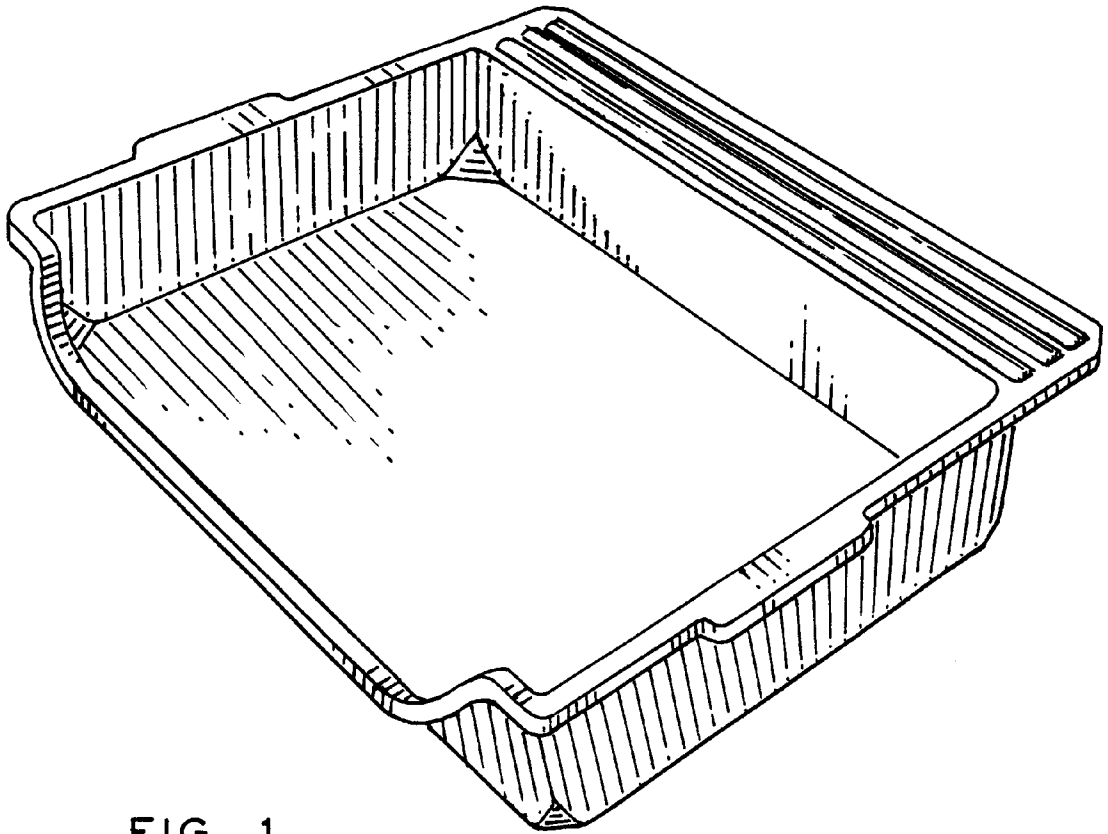


FIG. 1

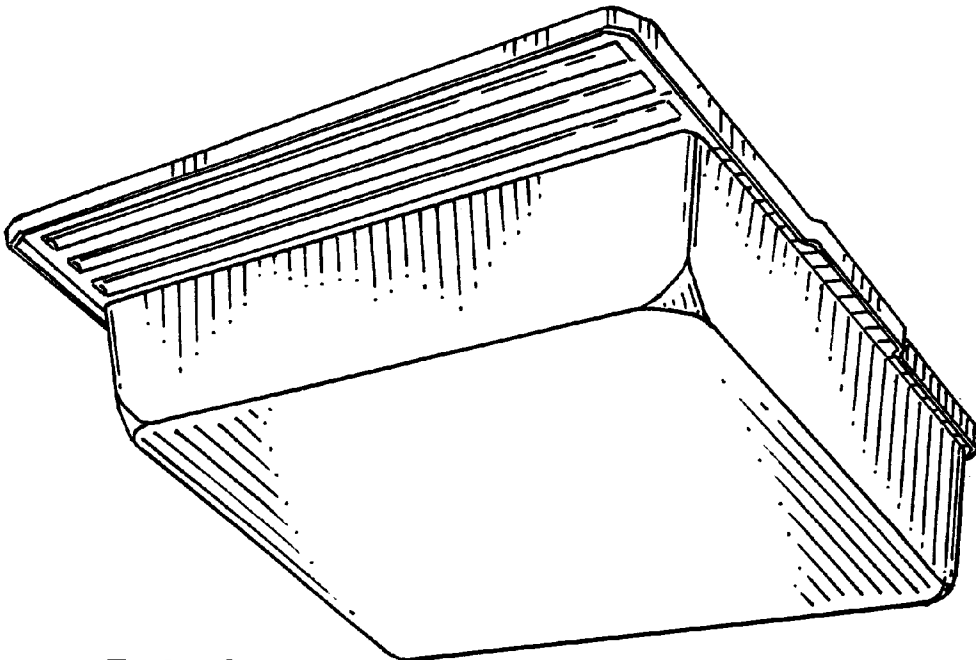


FIG. 2