



US00D832053S

(12) **United States Design Patent**
Klimecki

(10) **Patent No.:** **US D832,053 S**

(45) **Date of Patent:** **** Oct. 30, 2018**

- (54) **BOWL**
- (71) Applicant: **STEELITE INTERNATIONAL LTD,**
Stoke-on-Trent (GB)
- (72) Inventor: **Andrew Klimecki,** Stoke-on-Trent
(GB)
- (73) Assignee: **STEELITE INTERNATIONAL LTD**
(GB)
- (**) Term: **15 Years**
- (21) Appl. No.: **29/606,807**
- (22) Filed: **Jun. 7, 2017**
- (51) **LOC (11) Cl.** **07-01**
- (52) **U.S. Cl.**
USPC **D7/566**
- (58) **Field of Classification Search**
USPC D7/570, 566, 588, 584, 565, 560; D26/9
CPC A47G 19/2205; A47G 2019/122; A47G
19/03
See application file for complete search history.

D526,849 S *	8/2006	Vendl	D7/545
D538,599 S *	3/2007	Miller	D7/586
D545,630 S *	7/2007	Serra	D7/545
D548,014 S *	8/2007	Kell	D7/584
D551,025 S *	9/2007	Serra	D7/545
D551,510 S *	9/2007	Serra	D7/500
D556,501 S *	12/2007	Stewart	A23G 1/0076 D7/354
D557,982 S *	12/2007	Ablo	D7/409
D557,991 S *	12/2007	Hong	D7/587
D574,195 S *	8/2008	LeVan	D7/586
D607,616 S *	1/2010	Newsome	D30/129
D616,251 S *	5/2010	Heiberg	D7/566
D618,512 S *	6/2010	Kimmel	D7/554.2
D621,222 S *	8/2010	Heiberg	D7/587
D621,664 S *	8/2010	Heiberg	D7/587
D644,388 S *	8/2011	Quan	D34/1
D656,792 S *	4/2012	Sink	D7/318
D661,949 S *	6/2012	Geraghty	D7/566
D684,429 S *	6/2013	Lion	D7/543
D699,077 S *	2/2014	Ehrenhaus	D7/587
D776,491 S *	1/2017	Goldfarb	D7/630
D777,992 S *	1/2017	Tsengas	D30/129

* cited by examiner

Primary Examiner — Cynthia R Underwood
(74) *Attorney, Agent, or Firm* — Gordon Rees Scully
Mansukhani LLP; David R. Heckadon

(56) **References Cited**
U.S. PATENT DOCUMENTS

D50,666 S *	4/1917	Sanford	D7/566
D170,735 S *	10/1953	Zeisel	D7/543
D170,788 S *	11/1953	Zeisel	D7/566
D180,329 S *	5/1957	Highberger	220/574
3,009,599 A *	11/1961	Schier	A47G 19/30 206/565
D249,110 S *	8/1978	Newmark	D7/509
D443,479 S *	6/2001	Indekeu	D7/554.1
D444,350 S *	7/2001	Indekeu	D7/554.1
D447,008 S *	8/2001	Indekeu	D7/566
D473,754 S *	4/2003	Thun	D7/506
D474,940 S *	5/2003	Wellner	D7/566
D493,671 S *	8/2004	Lebowitz	D7/583
D524,604 S *	7/2006	Vendl	D7/545

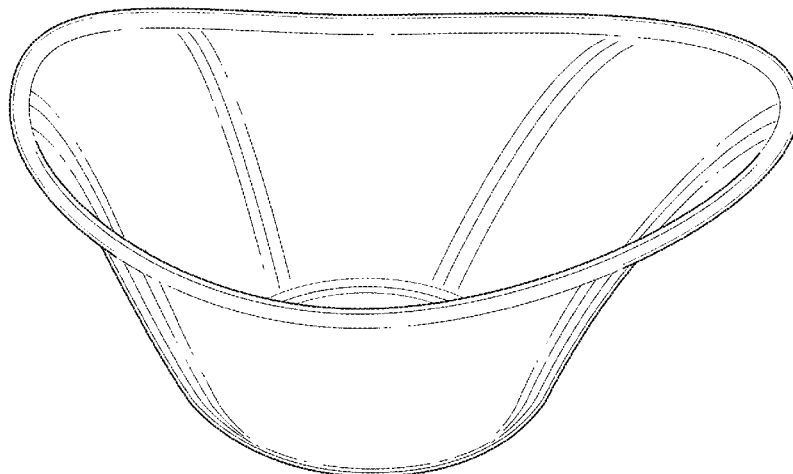
(57) **CLAIM**

The ornamental design for a bowl, as shown and described.

DESCRIPTION

FIG. 1 is a perspective view of the bowl.
FIG. 2 is a left side elevation view of the bowl.
FIG. 3 is a right side elevation view of the bowl.
FIG. 4 is a top plan view of the bowl.
FIG. 5 is a bottom plan view of the bowl.
FIG. 6 is a front elevation view of the bowl; and,
FIG. 7 is a back elevation view of the bowl.

1 Claim, 7 Drawing Sheets



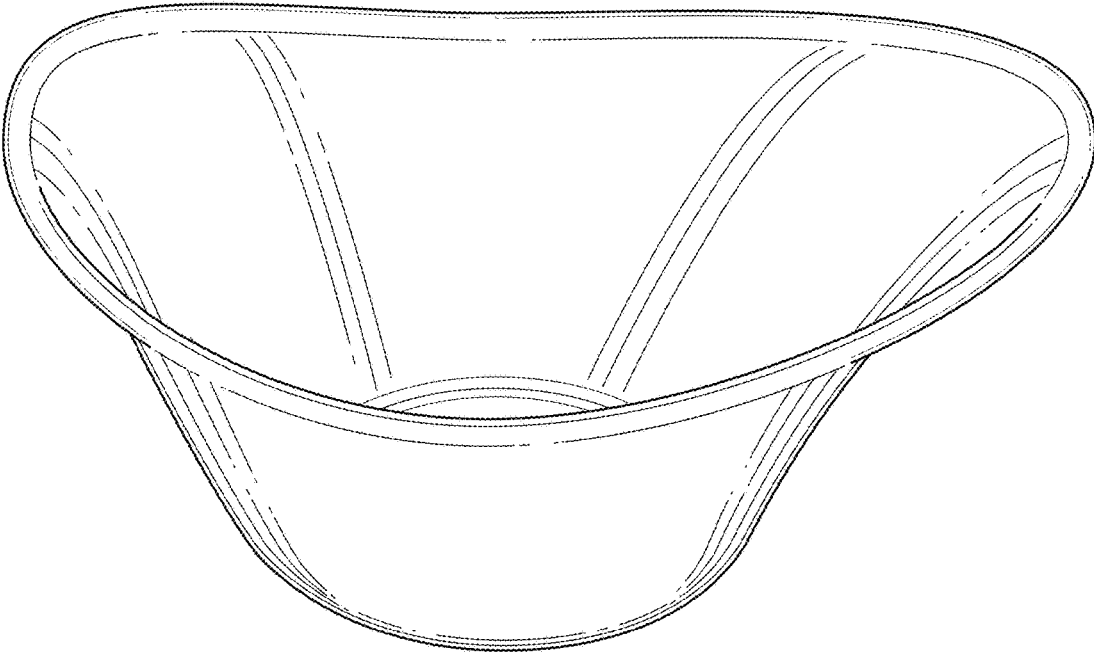


FIG. 1

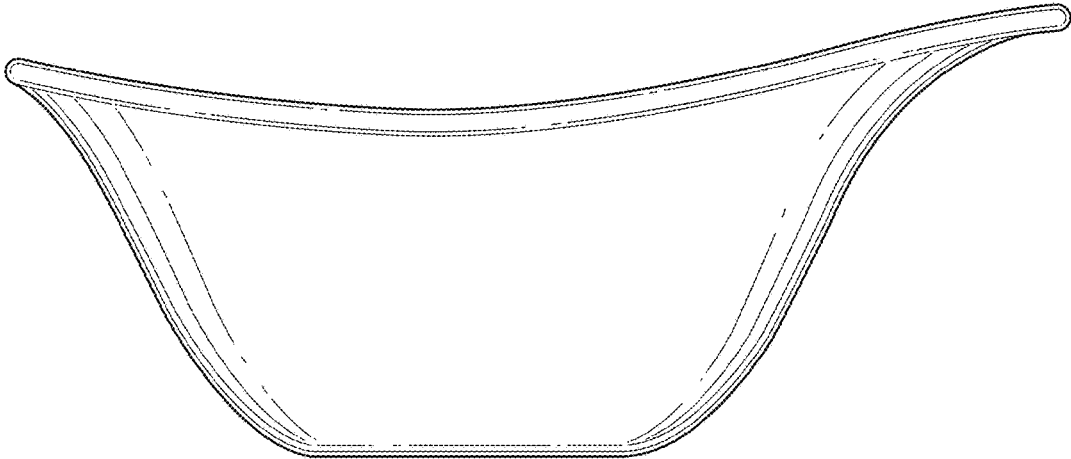


FIG. 2

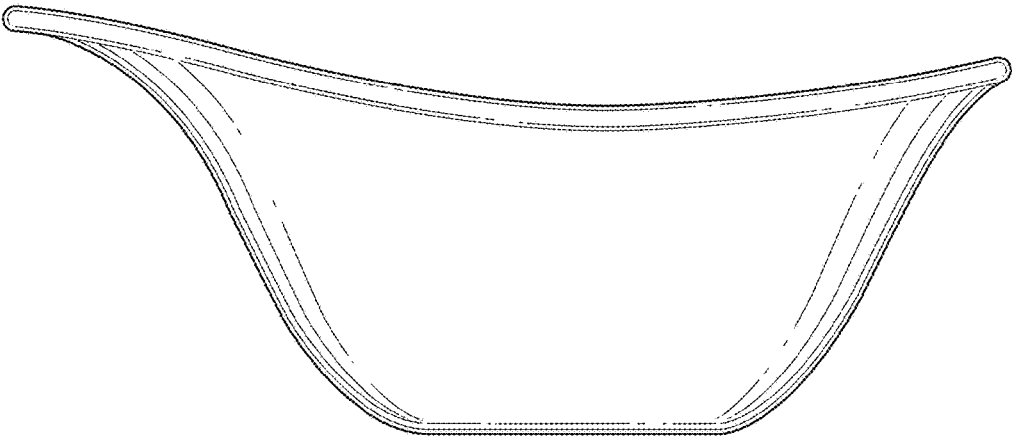


FIG. 3

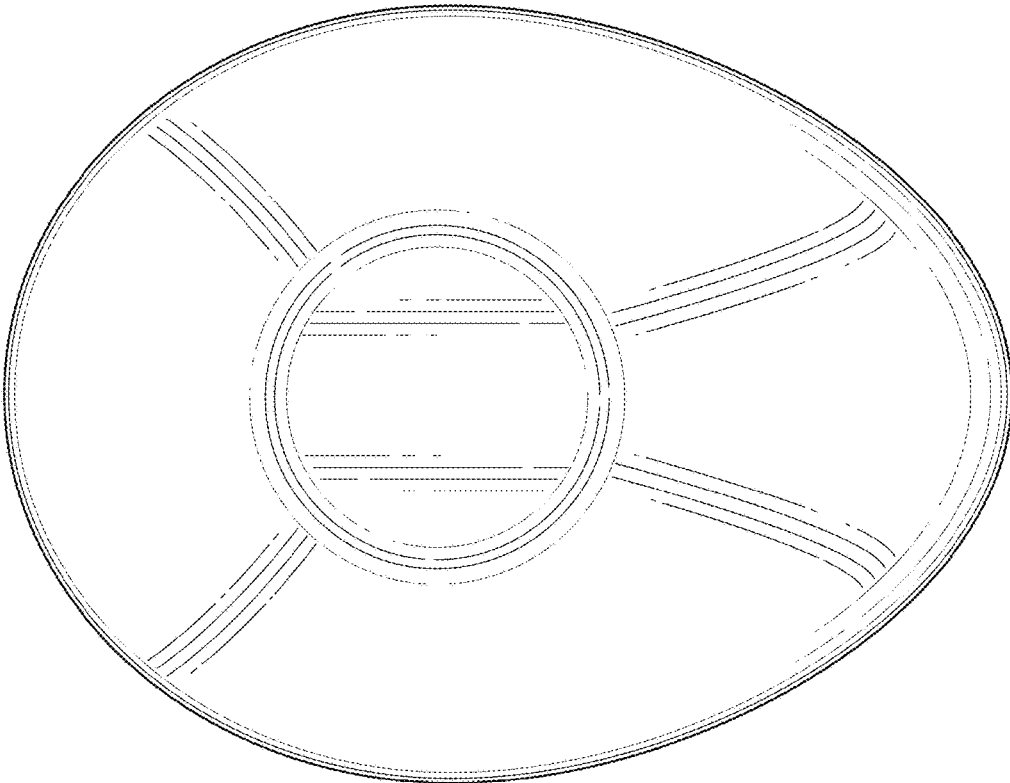


FIG. 4

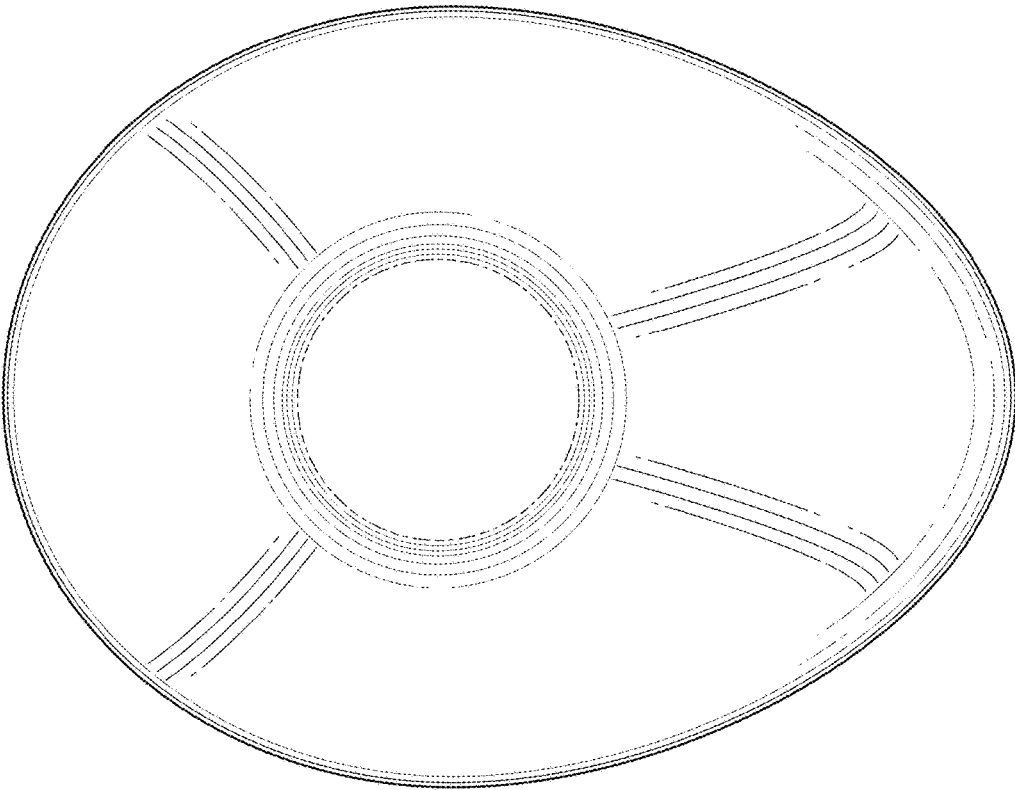


FIG. 5

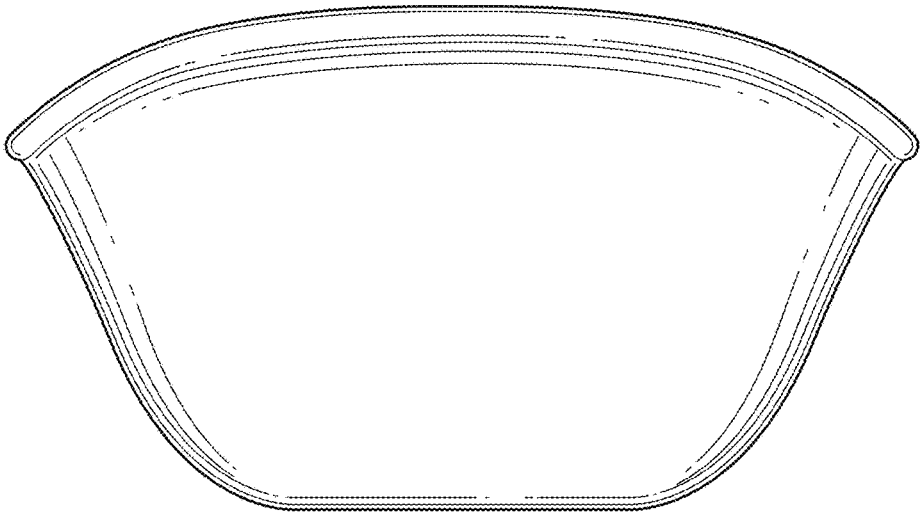


FIG. 6

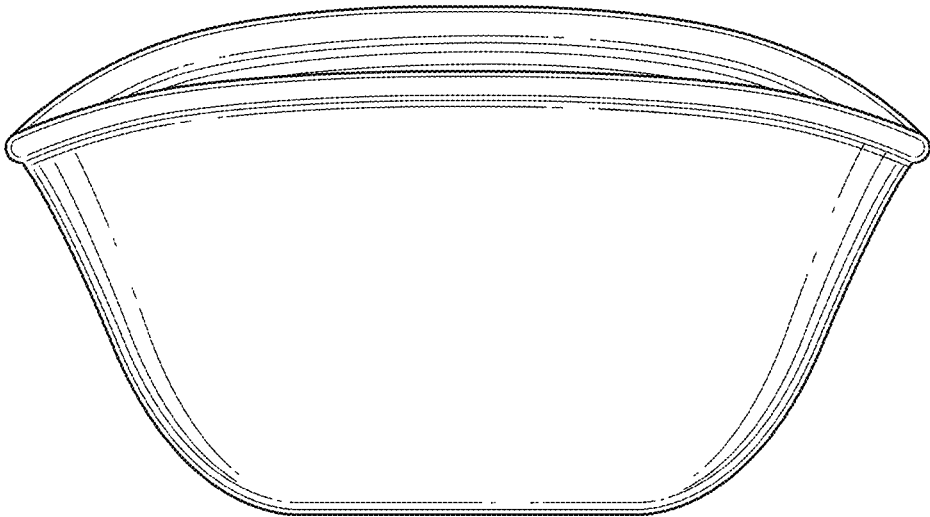


FIG. 7