



US00D938369S

(12) **United States Design Patent** (10) **Patent No.:** **US D938,369 S**  
**Schmid** (45) **Date of Patent:** **\*\* Dec. 14, 2021**

(54) **COMBINED ELECTRICAL SWITCH WITH MOUNTING PLATE**

D323,613 S \* 2/1992 Cummins ..... D13/169  
5,451,729 A \* 9/1995 Onderka ..... H01H 71/0207  
200/18  
5,834,996 A \* 11/1998 Ullermann ..... H01H 83/12  
335/6  
D416,871 S \* 11/1999 Todd ..... D13/169  
D440,945 S \* 4/2001 Yu ..... D13/169  
D447,123 S \* 8/2001 Winkler ..... D13/158  
D454,119 S \* 3/2002 Winkler ..... D13/158  
D638,803 S \* 5/2011 Sakakibara ..... D13/158  
D650,338 S \* 12/2011 Sakakibara ..... D13/174  
D810,703 S \* 2/2018 Ito ..... D13/174  
10,348,000 B2 \* 7/2019 Fischer ..... H01H 5/00

(71) Applicant: **Ellenberger & Poensgen GmbH**, Altdorf (DE)

(72) Inventor: **Thomas Schmid**, Altdorf (DE)

(73) Assignee: **Ellenberger & Poensgen GmbH**, Altdorf (DE)

(\*\*) Term: **15 Years**

(21) Appl. No.: **35/508,012**

(22) Filed: **Oct. 21, 2019**

(80) **Hague Agreement Data**

Int. Filing Date: **Oct. 21, 2019**  
Int. Reg. No.: **DM/204346**  
Int. Reg. Date: **Oct. 21, 2019**  
Int. Reg. Pub. Date: **Dec. 6, 2019**

(51) **LOC (13) Cl.** ..... **13-03**

(52) **U.S. Cl.** ..... **D13/158**  
USPC .....

(58) **Field of Classification Search**  
USPC ..... D13/158, 169, 174  
CPC ..... H01H 5/00; H01H 83/12; H01H 71/0207;  
H01H 21/22; H02B 1/048  
See application file for complete search history.

(56) **References Cited**

**U.S. PATENT DOCUMENTS**

2,761,936 A \* 9/1956 Verkuil ..... H01H 21/22  
200/530  
3,706,869 A \* 12/1972 Sorenson ..... H02B 1/048  
200/295

\* cited by examiner

*Primary Examiner* — Rhea Shields

(74) *Attorney, Agent, or Firm* — Laurence A. Greenberg;  
Werner H. Stemer; Ralph E. Locher

(57) **CLAIM**

The ornamental design for a combined electrical switch with mounting plate, as shown and described.

**DESCRIPTION**

1.-2. Combined electrical switch with mounting plate

**2.1** : Perspective

**2.2** : Front

**2.3** : Left

**2.4** : Back

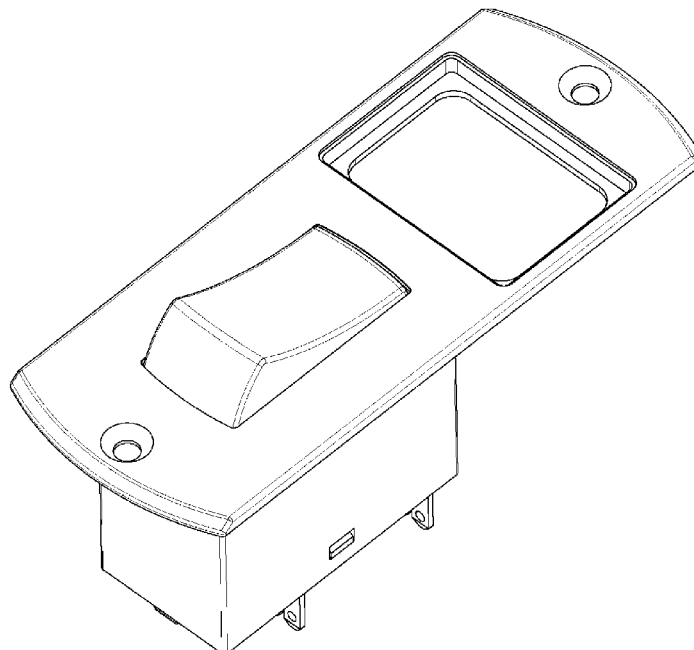
**2.5** : Top

**2.6** : Bottom

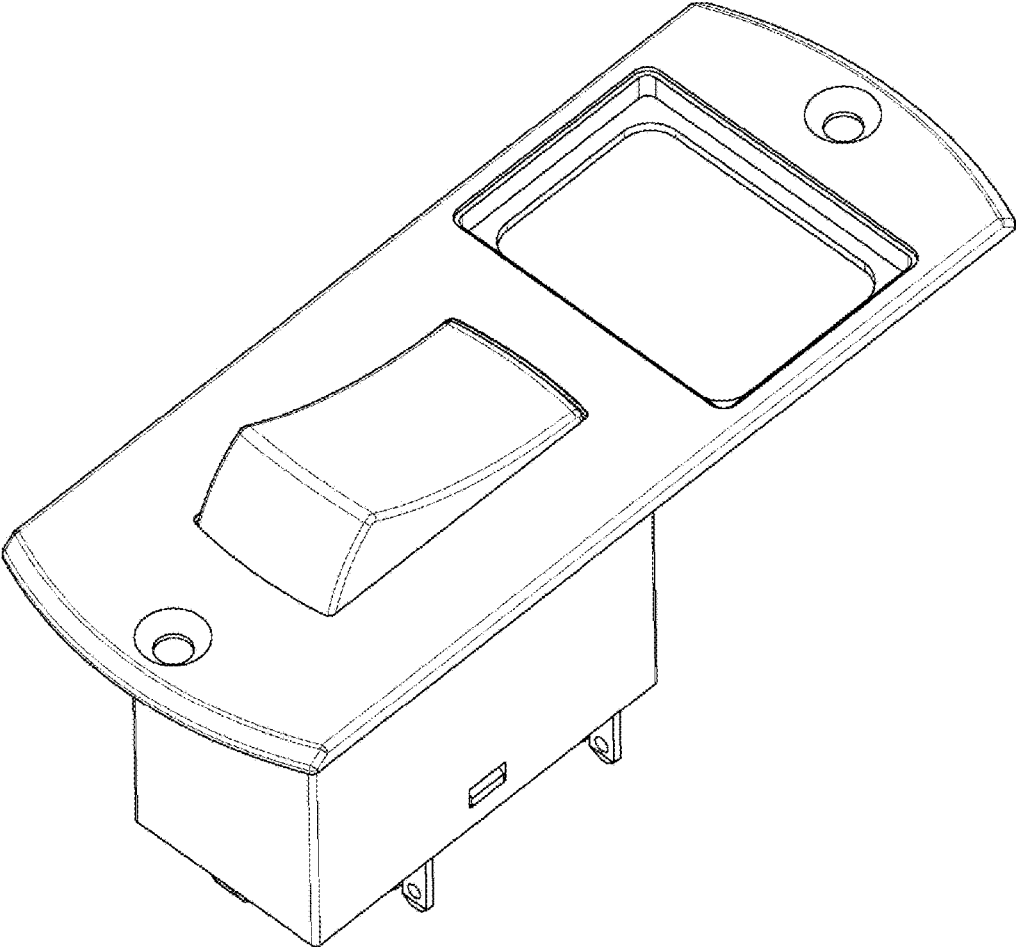
**2.7** : Perspective

In the reproductions, the broken lines are for the purpose of illustrating portions of the combined electrical switch with mounting plate that forms no part of the claimed design.

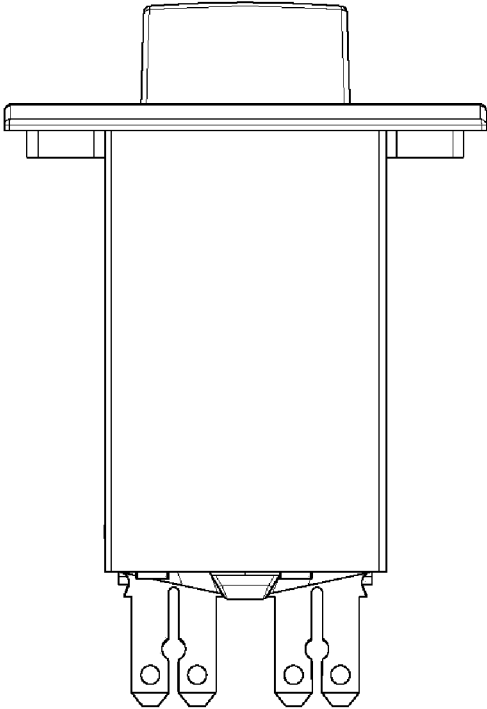
**1 Claim, 7 Drawing Sheets**



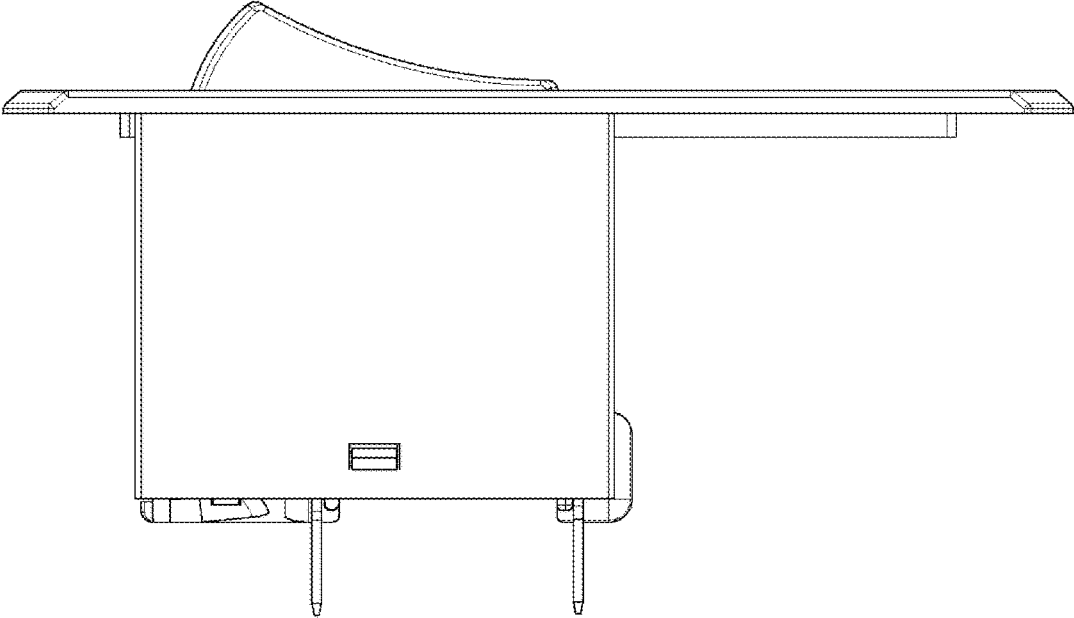
2.1



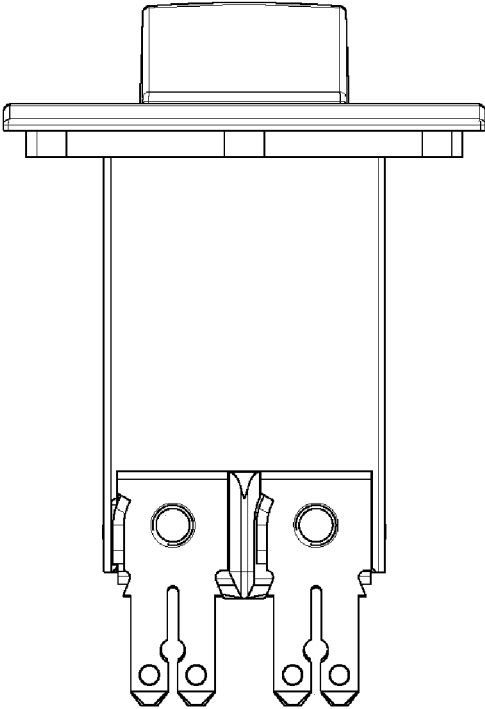
2.2



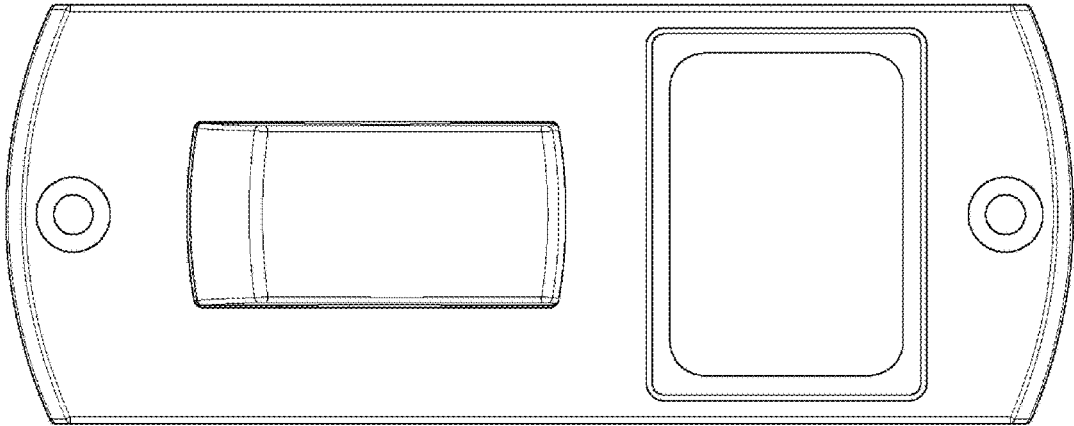
2.3

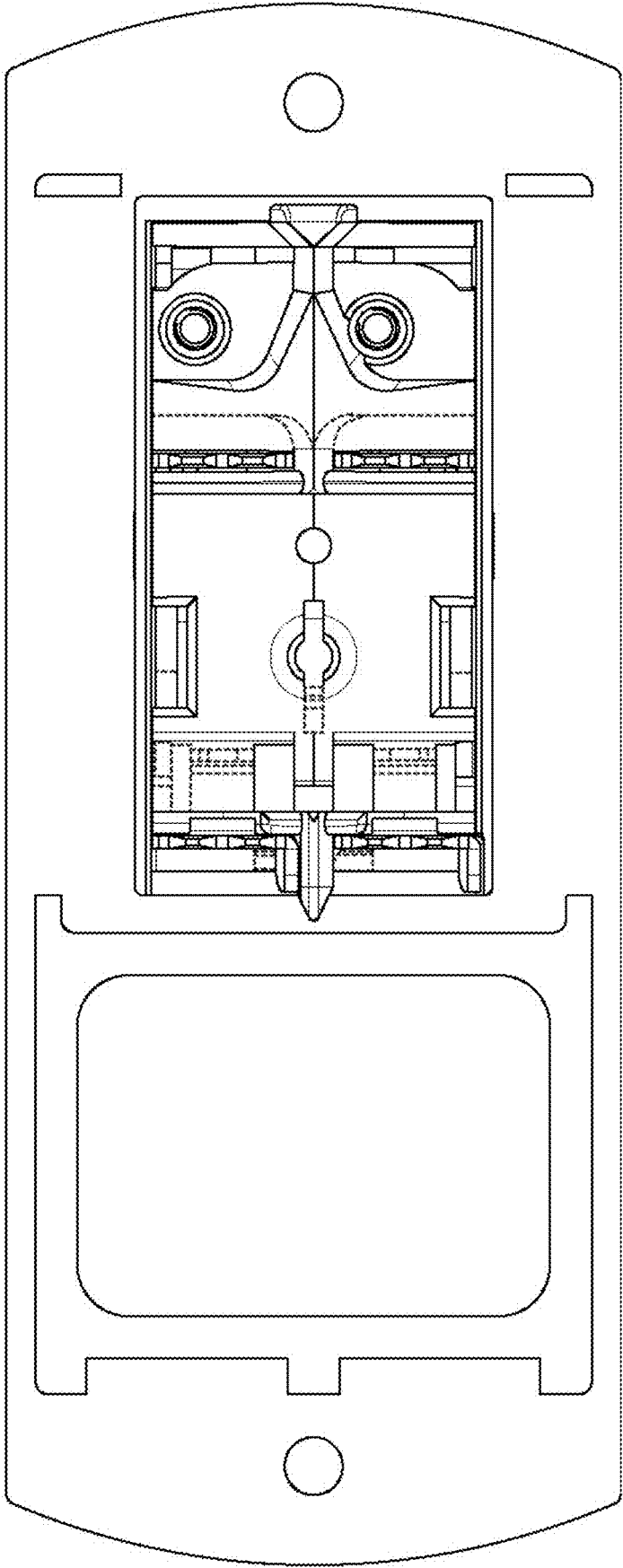


2.4

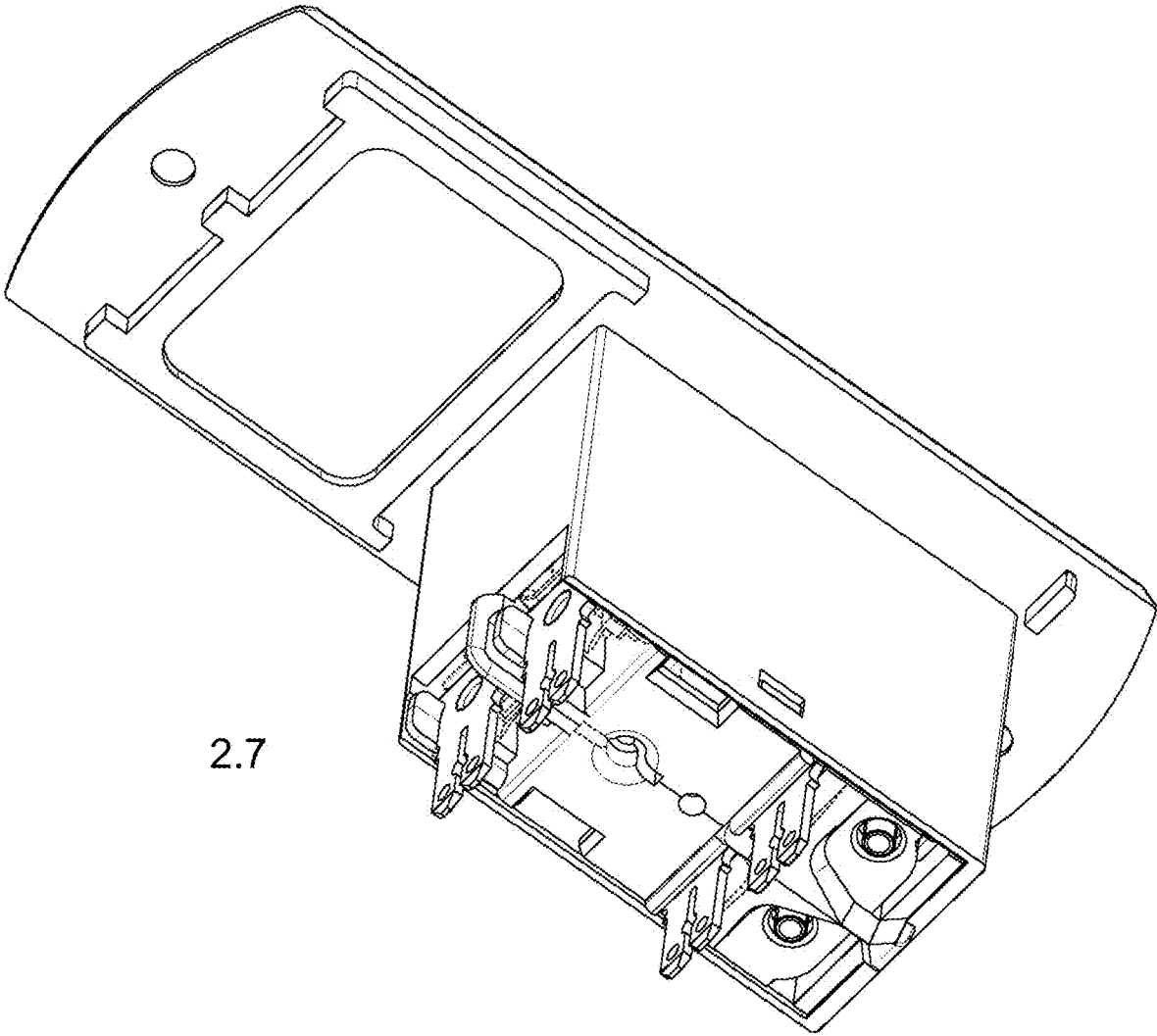


2.5





2.6



2.7