



US00D824057S

(12) **United States Design Patent** (10) **Patent No.:** **US D824,057 S**
Kang et al. (45) **Date of Patent:** **** Jul. 24, 2018**

(54) **REAR COMBINATION LAMP FOR VEHICLES**

(71) Applicant: **KIA MOTORS CORPORATION**,
Seoul (KR)
(72) Inventors: **Seong-Yeop Kang**, Busan, KS (US);
Sung-Wook Kim, Gunpo-si (KR)
(73) Assignee: **Kia Motors Corporation**, Seoul (KR)
(**) Term: **15 Years**

(21) Appl. No.: **35/502,843**

(22) Filed: **Oct. 17, 2016**

(80) **Hague Agreement Data**

Int. Filing Date: **Oct. 17, 2016**
Int. Reg. No.: **DM/093163**
Int. Reg. Date: **Oct. 17, 2016**
Int. Reg. Pub. Date: **Apr. 21, 2017**

(30) **Foreign Application Priority Data**

Aug. 29, 2016 (KR) 30-2016-0042022

(51) **LOC (11) Cl.** **26-06**

(52) **U.S. Cl.**
USPC **D26/28**

(58) **Field of Classification Search**
USPC D26/28-36
CPC F21S 48/00; F21S 48/10; F21S 48/115;
F21S 48/225; F21S 48/2281; F21S
48/1233; F21S 48/1266; F21S 48/1388;
F21S 48/2266; F21V 21/04; B60Q 1/30;
B60Q 1/2607; B60Q 1/2696; B62J 6/00;
B62J 6/04

See application file for complete search history.

(56) **References Cited**

U.S. PATENT DOCUMENTS

D806,919	S	*	1/2018	Hatton	D26/28
D806,921	S	*	1/2018	Ryu	D26/28
D808,048	S	*	1/2018	Hannemann	D26/28
D810,974	S	*	2/2018	Sato	D26/28
D810,977	S	*	2/2018	Piscitelli	D26/28
D811,633	S	*	2/2018	Gould	D26/28
D812,271	S	*	3/2018	Katagiri	D26/28
D812,273	S	*	3/2018	Wu	D26/28
D812,792	S	*	3/2018	Jae	D26/28

* cited by examiner

Primary Examiner — Zenia I Bennett

(74) *Attorney, Agent, or Firm* — Mintz Levin Cohn Ferris
Glovsky and Popeo, P.C.; Kongsik Kim

(57) **CLAIM**

The ornamental design for a rear combination lamp for vehicles, as shown and described.

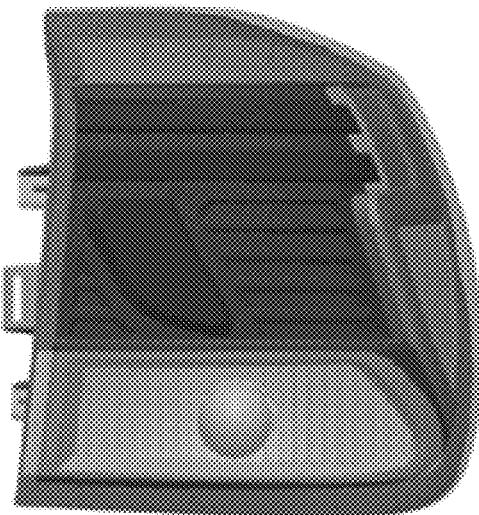
DESCRIPTION

1. Rear combination lamp for vehicles

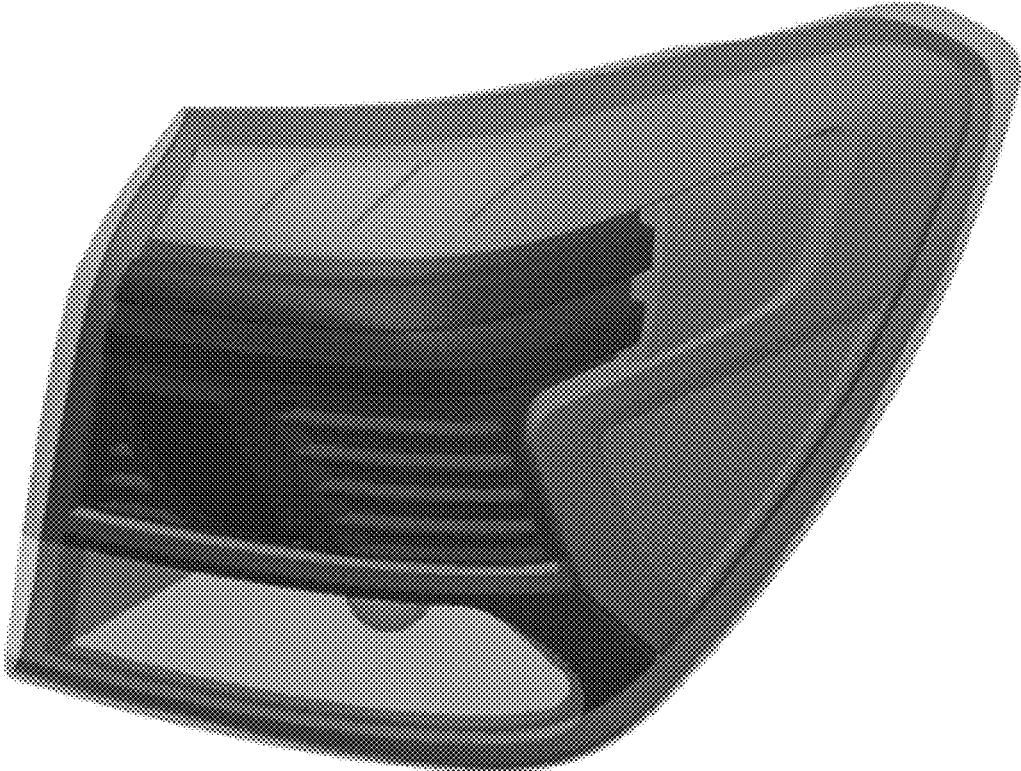
- 1.1 : Perspective
- 1.2 : Front
- 1.3 : Back
- 1.4 : Left
- 1.5 : Right
- 1.6 : Top
- 1.7 : Bottom

The article is adhered on to the rear of a vehicle, and it is a combination of a lamp that is turned on the moment that the break is applied and a lamp that is turned on the moment that the reverse gear is applied; as appeared in the perspective drawing, the cover part of the front of this article and the lamp part inside the cover part are transparent.

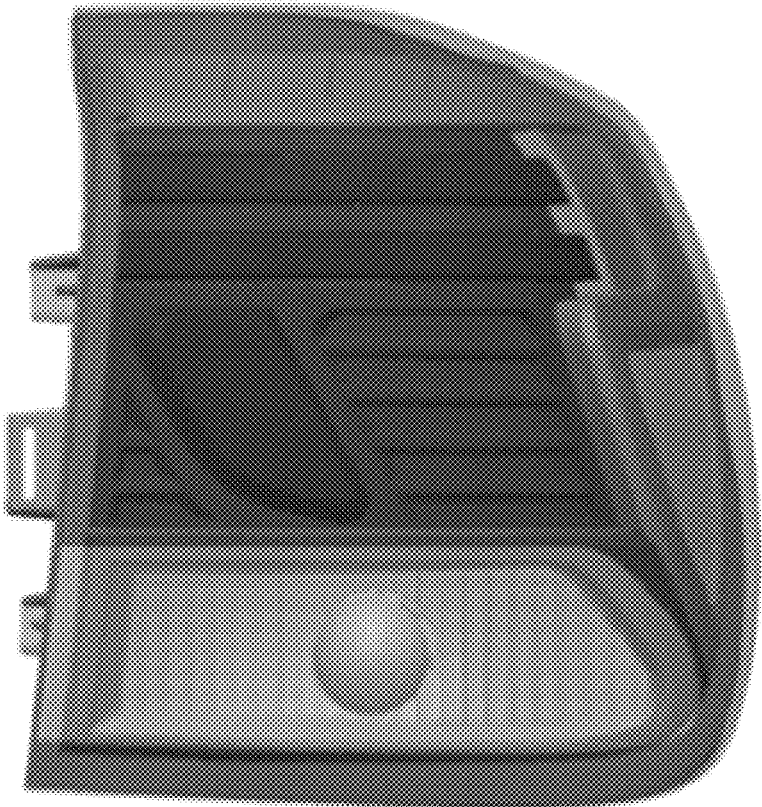
1 Claim, 7 Drawing Sheets



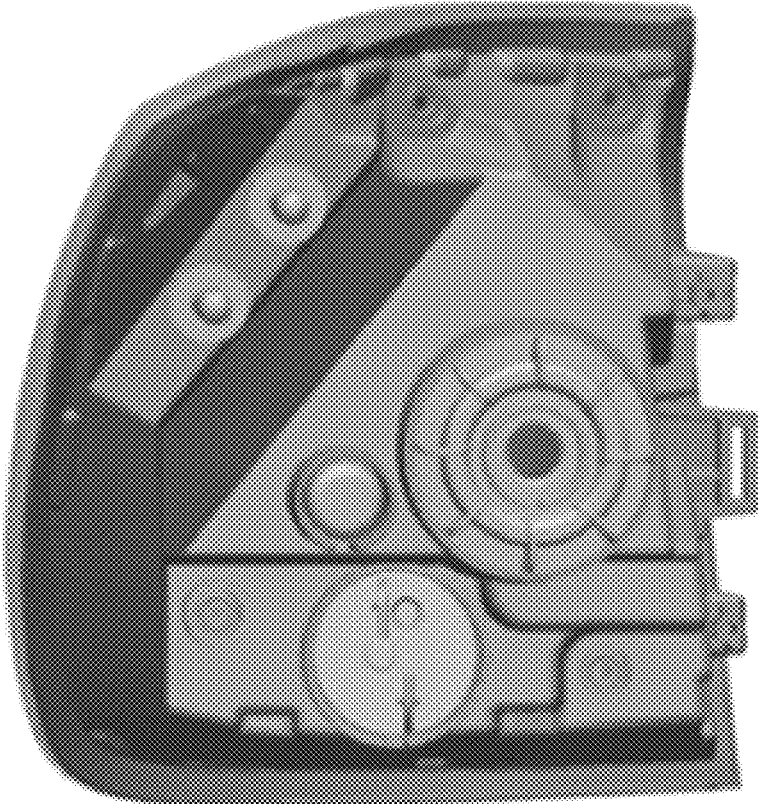
1.1



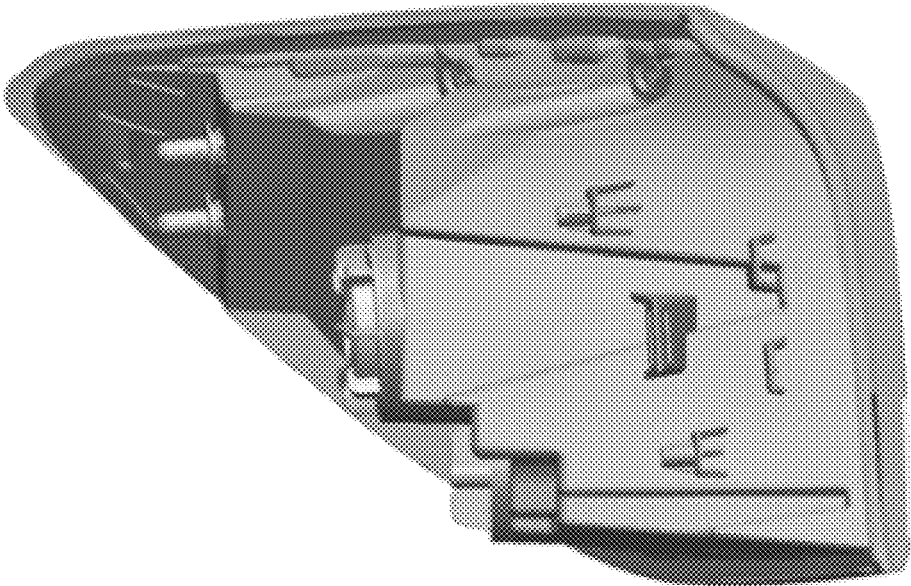
1.2



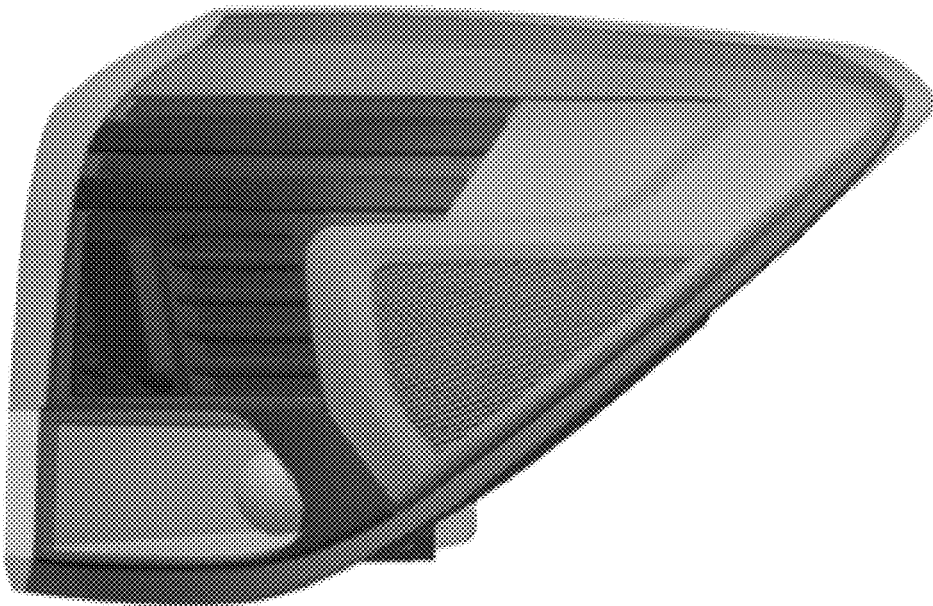
1.3



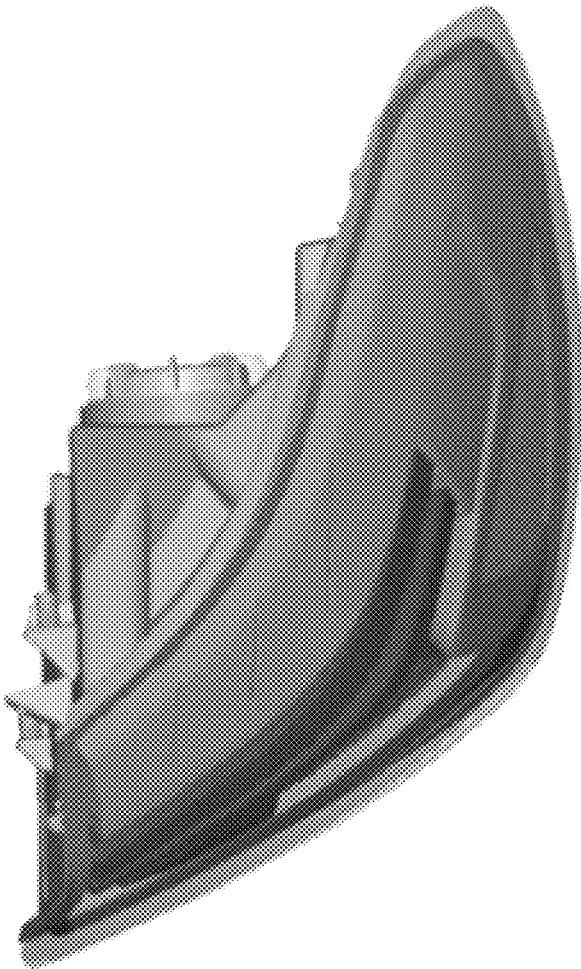
1.4



1.5



1.6



1.7

