



US00D853829S

(12) **United States Design Patent**
Vandenberg

(10) **Patent No.:** **US D853,829 S**

(45) **Date of Patent:** **** Jul. 16, 2019**

(54) **FASTENER POSITIONING DEVICE**

(71) Applicant: **National Nail Corp.**, Grand Rapids, MI (US)

(72) Inventor: **Roger A. Vandenberg**, Hudsonville, MI (US)

(73) Assignee: **National Nail Corp.**, Grand Rapids, MI (US)

(**) Term: **15 Years**

(21) Appl. No.: **29/649,771**

(22) Filed: **Jun. 1, 2018**

(51) **LOC (11) Cl.** **08-08**

(52) **U.S. Cl.**
USPC **D8/382**

(58) **Field of Classification Search**
USPC D8/382, 349, 354, 373, 374, 380, 394, D8/395, 398, 399; D24/112
CPC E04F 15/02; E04F 15/04; E04F 15/02183; E04F 2015/02088; E04F 2015/02094; E04F 2201/05; E04F 2015/02116; E04F 2015/02122; E04F 2015/02077; Y10T 403/4602; Y10T 403/553; Y10T 403/75; F16B 5/002

See application file for complete search history.

(56) **References Cited**

U.S. PATENT DOCUMENTS

876,399	A	1/1908	Robinson	
1,714,738	A	5/1929	Smith	
1,879,459	A	9/1932	Pelton	
1,888,611	A	11/1932	Wolfson	
2,065,525	A	12/1936	Hamilton	
2,116,737	A	5/1938	Urbain	
2,129,975	A	9/1938	Urbain	
2,129,976	A	9/1938	Urbain et al.	
2,620,705	A	12/1952	Podvinecz	
D208,611	S *	9/1967	Smith	604/177

3,760,547	A	9/1973	Brenneman	
4,125,972	A	11/1978	Pate	
4,126,006	A	11/1978	Lewis	
4,170,430	A	10/1979	Mrotzek	
D253,865	S *	1/1980	Hagglund	D8/382
4,701,066	A	10/1987	Beam et al.	

(Continued)

OTHER PUBLICATIONS

DeckLock Limited Universal Decking Spacers, downloaded from <http://www.hellotrade.com/decklock/universal-decking-spacers.html> (viewed Jun. 8, 2017).

(Continued)

Primary Examiner — Sandra S Snapp
Assistant Examiner — Ieisha N Price
(74) *Attorney, Agent, or Firm* — Warner Norcross + Judd LLP

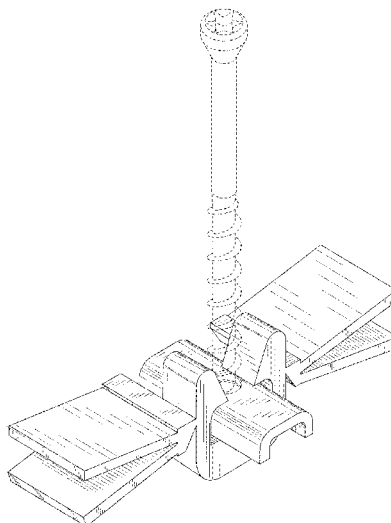
(57) **CLAIM**

The ornamental design for a fastener positioning device, as shown and described.

DESCRIPTION

FIG. 1 is an upper perspective view of the fastener positioning device embodying the new design; FIG. 2 is a front view thereof; FIG. 3 is a rear view thereof; FIG. 4 is a right side view thereof, the left side being a mirror view thereof; FIG. 5 is a top view thereof; and, FIG. 6 is a bottom view thereof. FIGS. 1-6 show features of a fastener positioning device in broken lines. These features are shown for environmental purposes and do not form any part of the claimed design. The broken lines immediately adjacent the solid line portions of the design form the boundary of the design, with the broken lines forming no part of the claimed design.

1 Claim, 3 Drawing Sheets



(56)

References Cited

U.S. PATENT DOCUMENTS

4,776,144	A	10/1988	Pardo				
4,899,973	A *	2/1990	Ishida	F16B 37/045			
					248/298.1		
D315,668	S *	3/1991	Murphy	D8/354			
D331,186	S *	11/1992	Sachs	D8/380			
5,271,670	A	12/1993	Grabher				
6,036,398	A	3/2000	Theodorou				
D428,326	S *	7/2000	Nakamura	D8/356			
6,230,385	B1	5/2001	Nelson				
6,418,681	B1	7/2002	Dunks				
6,647,638	B1	11/2003	Doyal				
6,651,400	B1	11/2003	Murphy				
6,675,545	B2	1/2004	Chen et al.				
6,871,467	B2	3/2005	Hafner				
6,986,934	B2	1/2006	Chen et al.				
6,993,875	B2	2/2006	Rudduck				
D516,904	S *	3/2006	Kendrick	D8/395			
7,052,200	B2	5/2006	Harris				
7,168,213	B2	1/2007	Rudduck et al.				
D547,169	S *	7/2007	Harris	D8/382			
D565,944	S *	4/2008	Pitcher	D8/395			
7,600,353	B2	10/2009	Hafner				
7,721,503	B2	5/2010	Pervan et al.				
D619,880	S *	7/2010	MacDonald	E04F 13/0826			
					D8/354		
7,779,765	B2	8/2010	Donnell, Jr. et al.				
7,841,145	B2	11/2010	Pervan et al.				
7,841,150	B2	11/2010	Pervan				
7,908,816	B2	3/2011	Grafenauer et al.				
7,980,041	B2	7/2011	Pervan et al.				
8,042,311	B2	10/2011	Pervan et al.				
8,079,196	B2	12/2011	Pervan				
8,245,478	B2	8/2012	Bergelin et al.				
8,336,272	B2	12/2012	Prager et al.				
8,359,805	B2	1/2013	Pervan et al.				
8,387,327	B2	3/2013	Pervan				
8,499,521	B2	8/2013	Pervan et al.				
8,511,031	B2	8/2013	Bergelin et al.				
D690,583	S *	10/2013	Sendra-Gonzalez ...	H02S 20/00			
					D8/394		
8,544,230	B2	10/2013	Pervan				
8,627,862	B2	1/2014	Pervan et al.				
8,650,826	B2	2/2014	Pervan et al.				
8,677,714	B2	3/2014	Pervan				
8,713,886	B2	5/2014	Pervan et al.				
8,726,769	B1	5/2014	Jacker				
8,733,065	B2	5/2014	Pervan				
8,763,341	B2	7/2014	Pervan				
8,769,905	B2	7/2014	Pervan et al.				
8,826,622	B2	9/2014	Cappelle et al.				
8,887,468	B2	11/2014	Hakansson et al.				
8,925,274	B2	1/2015	Darko et al.				
8,991,055	B2	3/2015	Cappelle				
9,145,691	B2	9/2015	Cappelle				
D745,368	S *	12/2015	Lutze	D13/184			
9,212,493	B2	12/2015	Cappelle et al.				
9,216,541	B2	12/2015	Boo et al.				
9,222,267	B2	12/2015	Bergelin et al.				
9,238,917	B2	1/2016	Pervan et al.				
9,260,870	B2	2/2016	Vermeulen et al.				
9,347,469	B2	5/2016	Pervan et al.				
9,347,470	B2	5/2016	Maertens et al.				
9,366,036	B2	6/2016	Pervan				
9,388,584	B2	7/2016	Pervan et al.				
9,428,919	B2	8/2016	Pervan et al.				
9,458,634	B2	10/2016	Derelov				
9,476,208	B2	10/2016	Vermeulen et al.				
D788,832	S *	6/2017	Alles	D16/133			
2004/0168382	A1	9/2004	Rudduck et al.				
2005/0003160	A1	1/2005	Chen et al.				
2005/0063771	A1 *	3/2005	Harris	E04F 15/04			
					403/294		
2006/0179757	A1	8/2006	Schulner				
2007/0196624	A1	8/2007	Chen et al.				
2009/0108719	A1	4/2009	Lilly				
2009/0173032	A1	7/2009	Prager et al.				
2009/0193741	A1	8/2009	Cappelle				
2009/0249730	A1	10/2009	Vibiano				
2010/0050556	A1	3/2010	Burns				
2010/0107524	A1	5/2010	Moss				
2010/0260962	A1	10/2010	Chen et al.				
2010/0319290	A1	12/2010	Pervan et al.				
2011/0167744	A1	7/2011	Whispell et al.				
2011/0225922	A1	9/2011	Pervan et al.				
2012/0255158	A1	10/2012	Kawasaki				
2013/0287484	A1	10/2013	Phillips				
2014/0290173	A1	10/2014	Hamberger				
2014/0305064	A1	10/2014	Baker et al.				
2015/0211558	A1	7/2015	Garrison				
2019/0055738	A1 *	2/2019	Vandenberg	E04F 15/02044			

OTHER PUBLICATIONS

Deck Spacers, downloaded from <http://www.contractortalk.com/f50/spacers-cleats-simpson-worth-anything-82833/> (viewed Jun. 8, 2017). Spacer clip, discovered 2017.

* cited by examiner

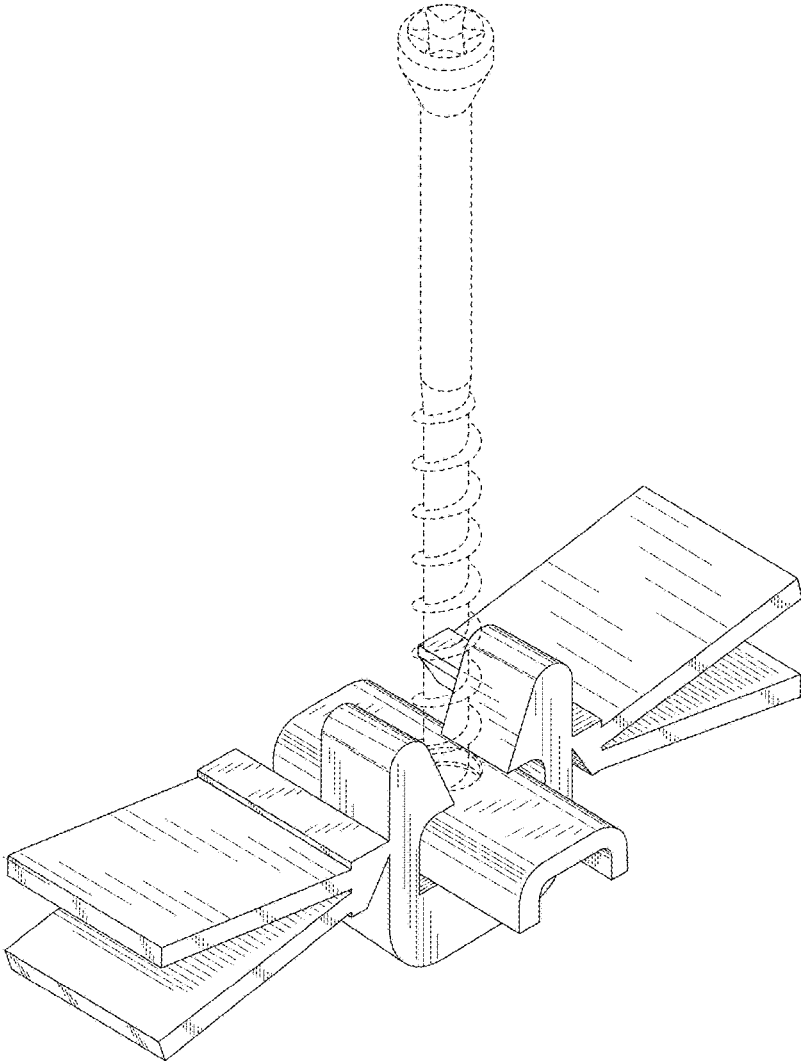


Fig. 1

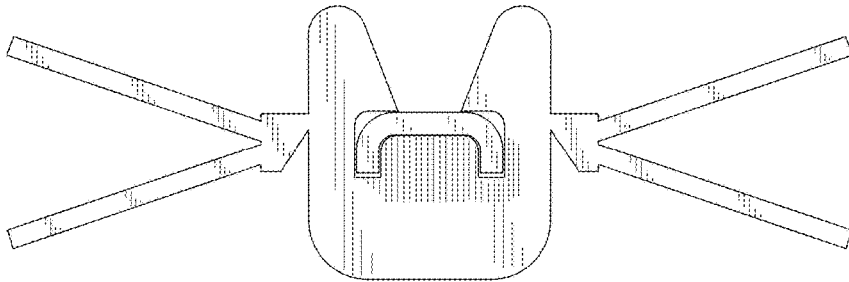


Fig. 2

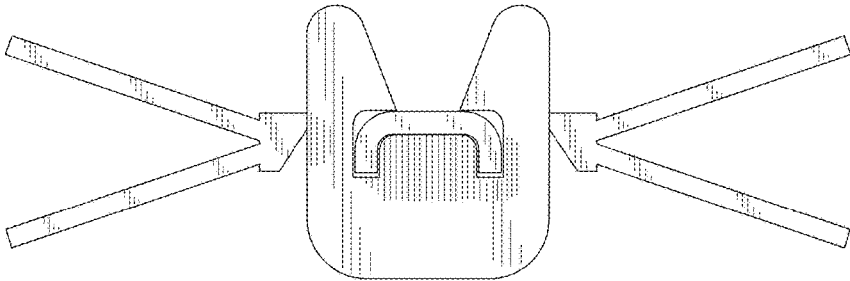


Fig. 3

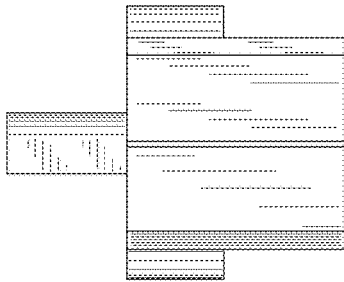


Fig. 4

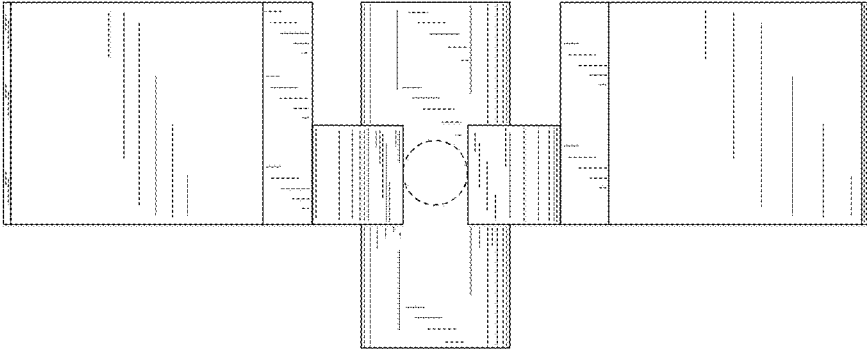


Fig. 5

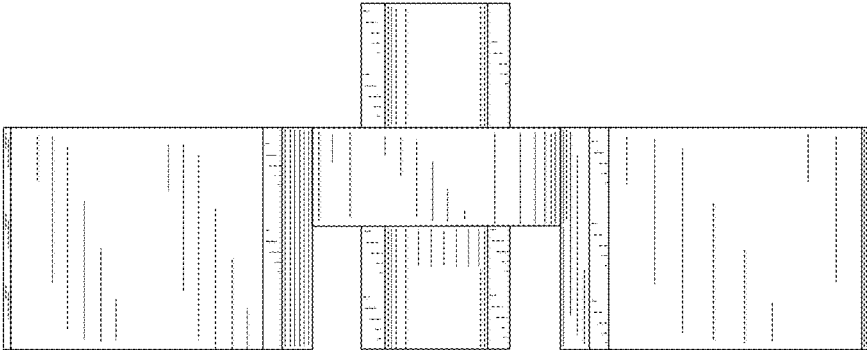


Fig. 6