



US00D881153S

(12) **United States Design Patent**  
**Fang**

(10) **Patent No.:** **US D881,153 S**

(45) **Date of Patent:** **\*\* Apr. 14, 2020**

- (54) **BLUETOOTH ADAPTER**
- (71) Applicant: **zhixiong Fang**, Guangdong (CN)
- (72) Inventor: **zhixiong Fang**, Guangdong (CN)
- (\*\*) Term: **15 Years**
- (21) Appl. No.: **29/706,413**

D570,327 S *	6/2008	Ikeda .....	D14/155
D619,558 S *	7/2010	Seil .....	D14/155
D658,635 S	5/2012	Hou .....	
D802,536 S *	11/2017	Shang .....	D13/144
D833,411 S *	11/2018	Castle .....	D14/155
D847,112 S *	4/2019	Castle .....	D14/155
D853,348 S *	7/2019	Liu .....	D14/155
D863,248 S *	10/2019	Liu .....	D14/155
D864,145 S *	10/2019	Zhang .....	D14/155

\* cited by examiner

- (22) Filed: **Sep. 20, 2019**
- (51) **LOC (12) Cl.** ..... **14-03**
- (52) **U.S. Cl.**  
USPC ..... **D14/155**
- (58) **Field of Classification Search**  
USPC ..... D14/167, 154, 168, 188, 496, 156, 160,  
D14/161, 162, 163, 164, 165, 158, 341,  
D14/346, 342, 345, 137, 155, 218, 225;  
D16/208; D26/38; 455/351, 350;  
D10/104.1, 106, 65  
CPC .... H04B 1/385; H04M 1/6091; H04M 1/6066  
See application file for complete search history.

*Primary Examiner* — Austin Murphy  
(74) *Attorney, Agent, or Firm* — Jie Yang; ZanIP

(57) **CLAIM**

The ornamental design for a bluetooth adapter, as shown and described.

**DESCRIPTION**

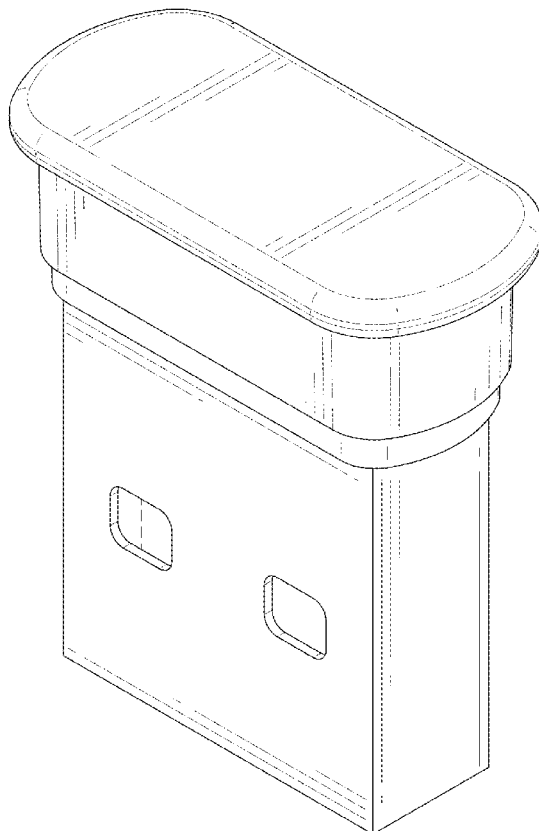
FIG. 1 is a front and top perspective view of a bluetooth adapter, showing my new design;  
 FIG. 2 is a rear and bottom perspective view thereof;  
 FIG. 3 is a front elevational view thereof;  
 FIG. 4 is a rear elevational view thereof;  
 FIG. 5 is a left side elevational view thereof;  
 FIG. 6 is a right side elevational view thereof;  
 FIG. 7 is a top plan view thereof; and,  
 FIG. 8 is a bottom plan view thereof.  
 The broken lines in the figures illustrate portions of the bluetooth adapter that form no part of the claimed design.

(56) **References Cited**

U.S. PATENT DOCUMENTS

D535,972 S *	1/2007	Griffin .....	D14/155
D544,462 S *	6/2007	Patel .....	D14/155
D545,809 S *	7/2007	Griffin .....	D14/155
D546,811 S *	7/2007	Neu .....	D14/155
D549,210 S *	8/2007	Neu .....	D14/155

**1 Claim, 8 Drawing Sheets**



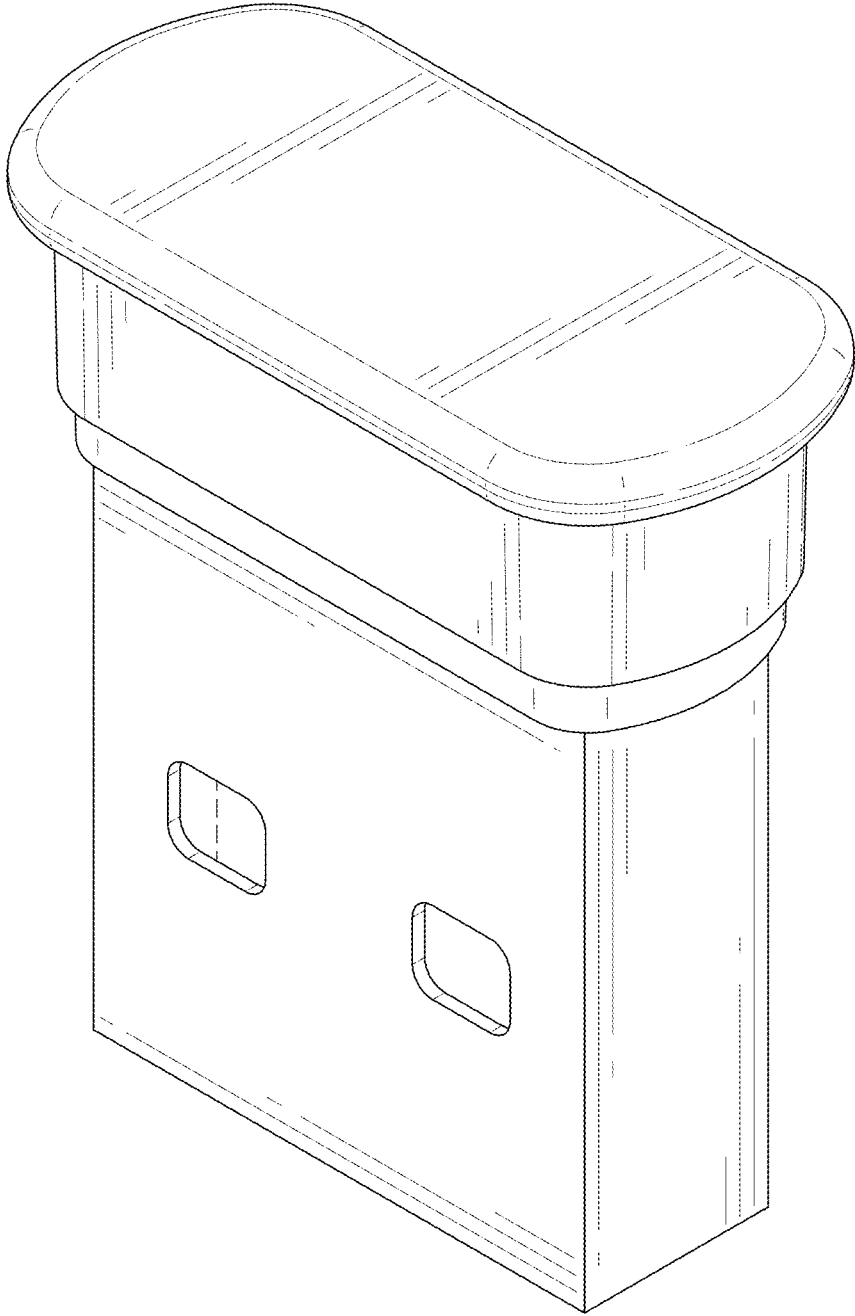


FIG. 1

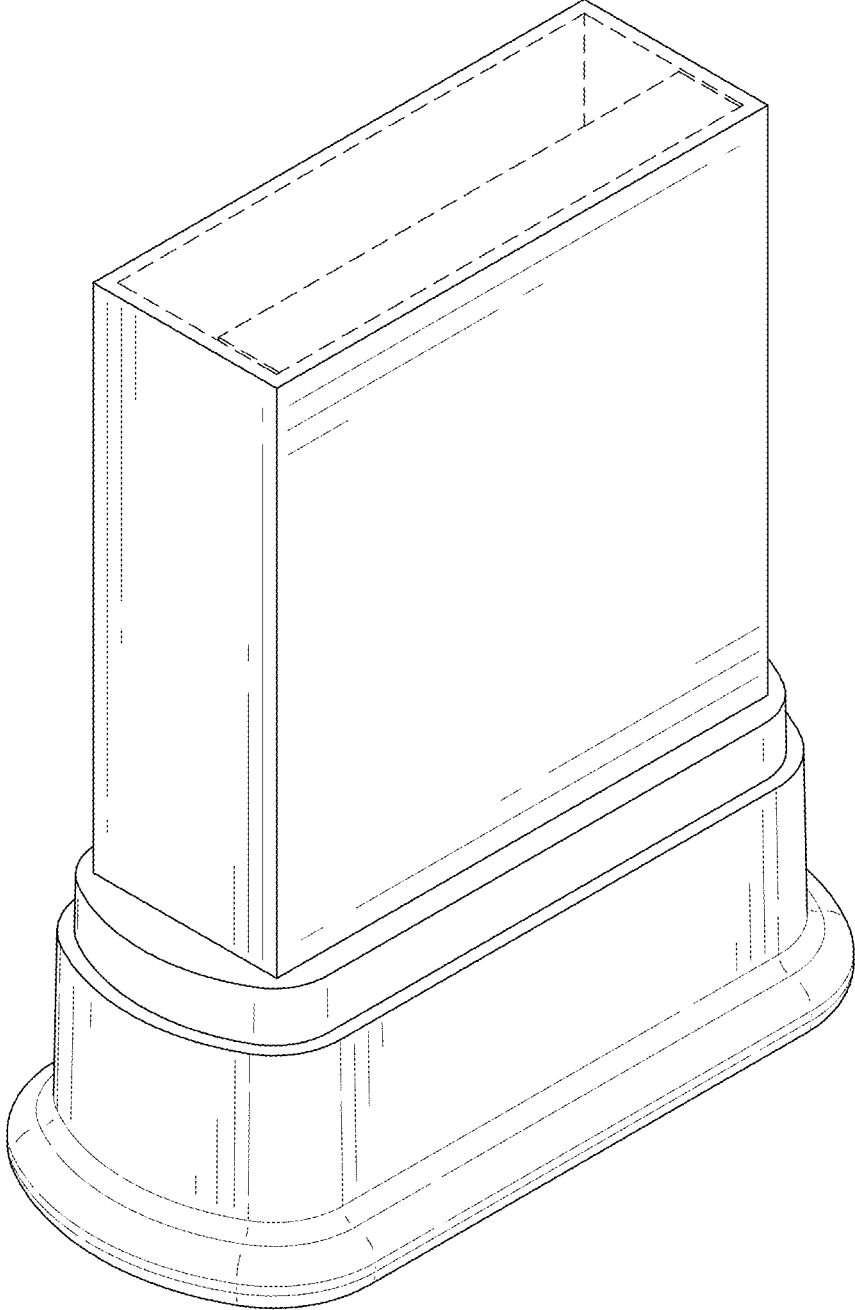


FIG. 2

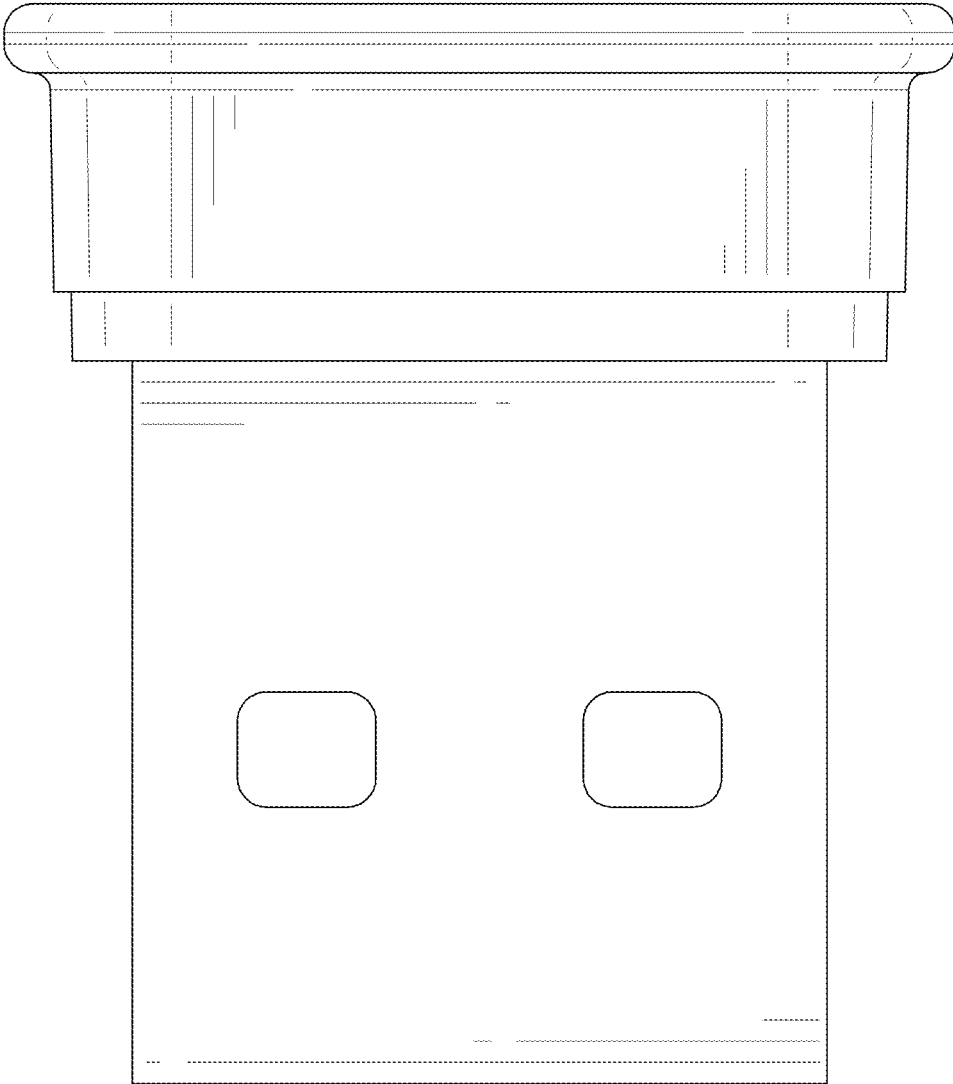


FIG. 3

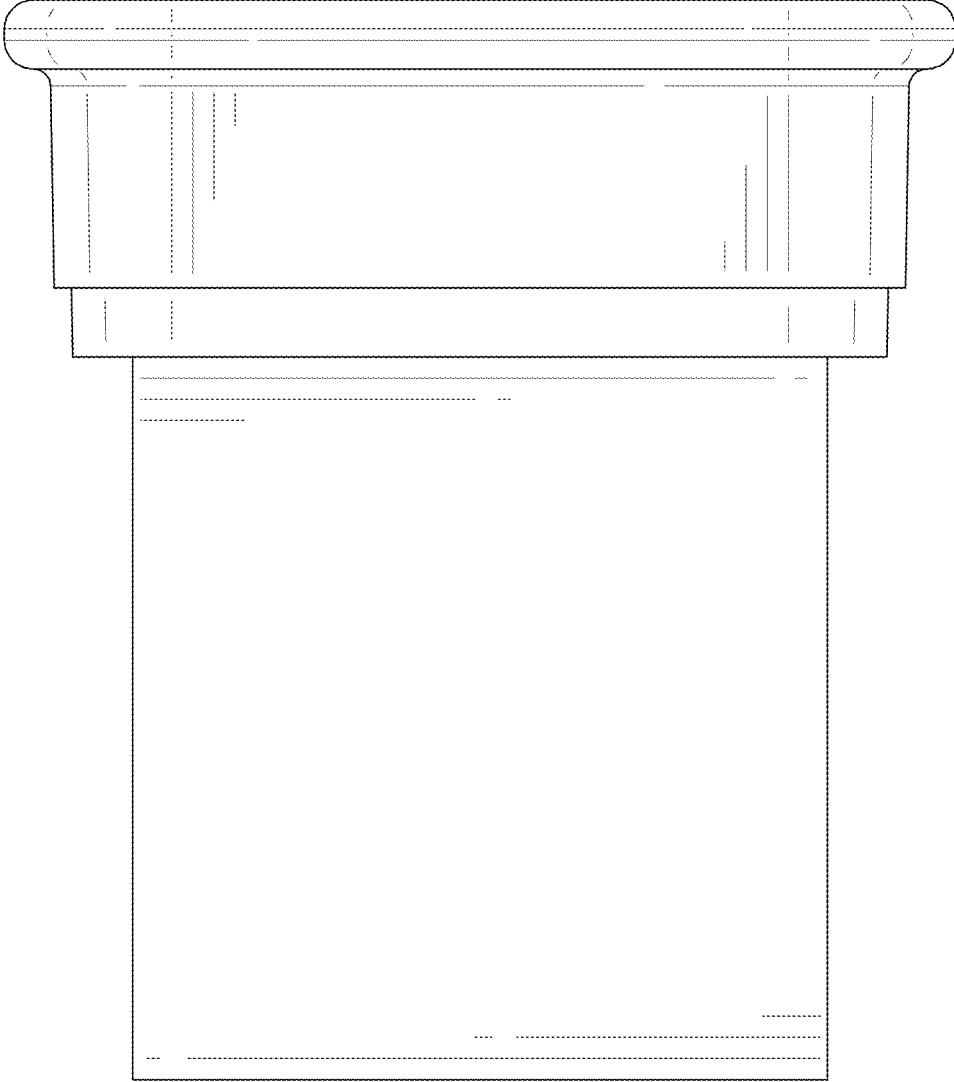


FIG. 4

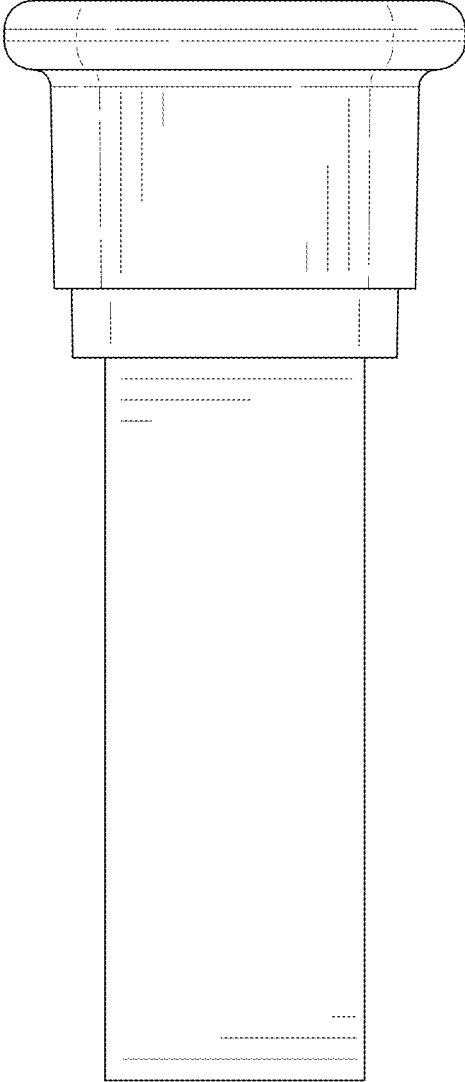


FIG. 5

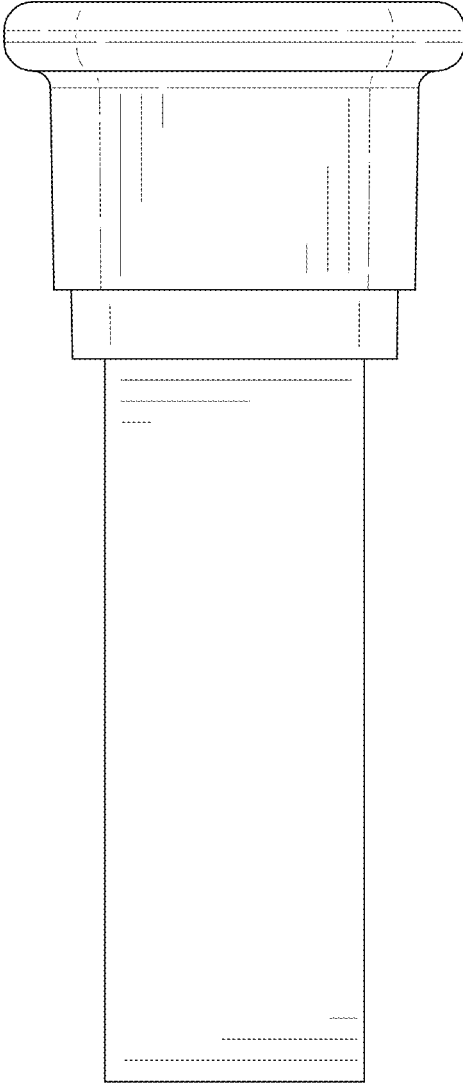


FIG. 6

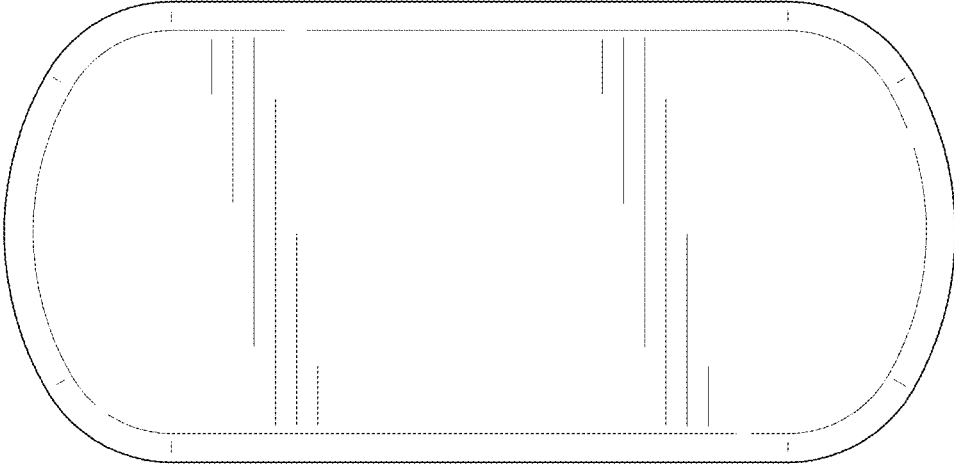


FIG. 7



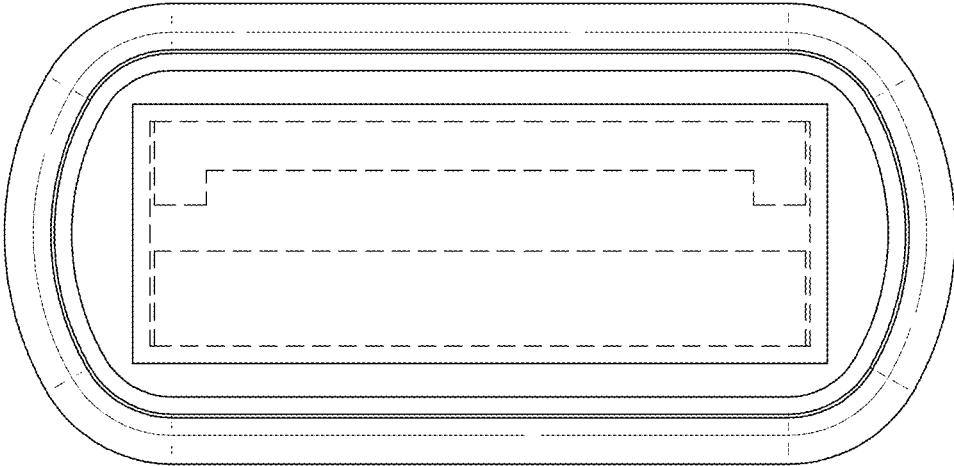


FIG. 8