



US00D898800S

(12) **United States Design Patent**
Zeng

(10) **Patent No.:** **US D898,800 S**

(45) **Date of Patent:** **** Oct. 13, 2020**

(54) **CAMERA**

(71) Applicant: **Guangdong Global Egrow (Zhaoqing) Cross-Border E-Commerce Co., Ltd.**, Guangdong (CN)

(72) Inventor: **Qiang Zeng**, Guangdong (CN)

(73) Assignee: **Guangdong Global Egrow (Zhaoqing) Cross-Border E-Commerce Co., Ltd.**, Guangdong (CN)

(**) Term: **15 Years**

(21) Appl. No.: **29/678,770**

(22) Filed: **Jan. 31, 2019**

(30) **Foreign Application Priority Data**

Nov. 28, 2018 (CN) 2018 3 0680517

(51) **LOC (12) Cl.** **16-01**

(52) **U.S. Cl.**
USPC **D16/203**

(58) **Field of Classification Search**

USPC D16/200, 202-206, 218, 219, 242;
348/143, 148, 151, 373-376; 396/419,
396/427, 535, 539-541
CPC G03B 17/02; G03B 19/04; G03B 17/56;
G03B 17/04; G03B 15/03; H04N 5/2251;
H04N 5/2252; H04N 5/2253; H04N
5/2254; H04N 7/181; H04N 7/183; H04N
7/18; G08B 13/1963; G08B 13/19619;
G08B 13/19632; F16M 11/04; F16M
13/00

See application file for complete search history.

(56) **References Cited**

U.S. PATENT DOCUMENTS

D550,738 S *	9/2007	Hsia	D16/202
D609,732 S *	2/2010	Frank	D16/203
D626,984 S *	11/2010	Miyaji	D16/202
D704,240 S *	5/2014	McBride	D16/203
D741,389 S *	10/2015	Park	D16/203
D751,619 S *	3/2016	Jeong	D16/203
D753,204 S *	4/2016	Luo	D16/202
D813,290 S *	3/2018	Song	D16/203
D813,926 S *	3/2018	Shin	D16/203
D836,698 S *	12/2018	Hathway	D16/203
D849,094 S *	5/2019	Gan	D16/203
D861,762 S *	10/2019	Gan	D16/203
D863,402 S *	10/2019	Guo	D16/203

* cited by examiner

Primary Examiner — Ramzi S Almatrahi

(74) *Attorney, Agent, or Firm* — JCIPRNET

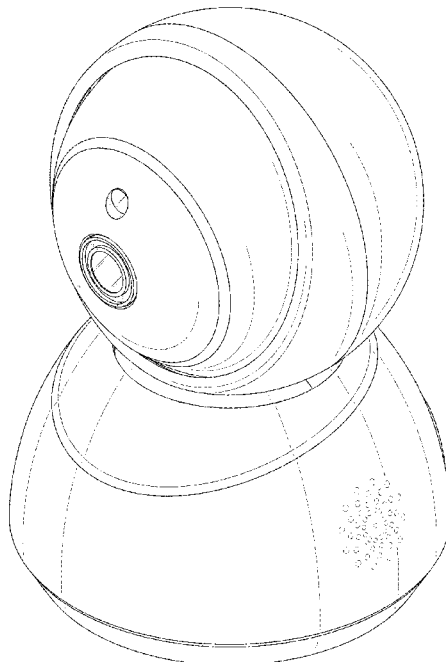
(57) **CLAIM**

The ornamental design for a camera, as shown and described.

DESCRIPTION

FIG. 1 is a front perspective view of a camera showing my new design;
FIG. 2 is a front view thereof;
FIG. 3 is a rear view thereof;
FIG. 4 is a left view thereof;
FIG. 5 is a right view thereof;
FIG. 6 is a top view thereof; and,
FIG. 7 is a bottom view thereof.
The broken lines depict portions of the camera in which the design is embodied that form no part of the claimed design.

1 Claim, 7 Drawing Sheets



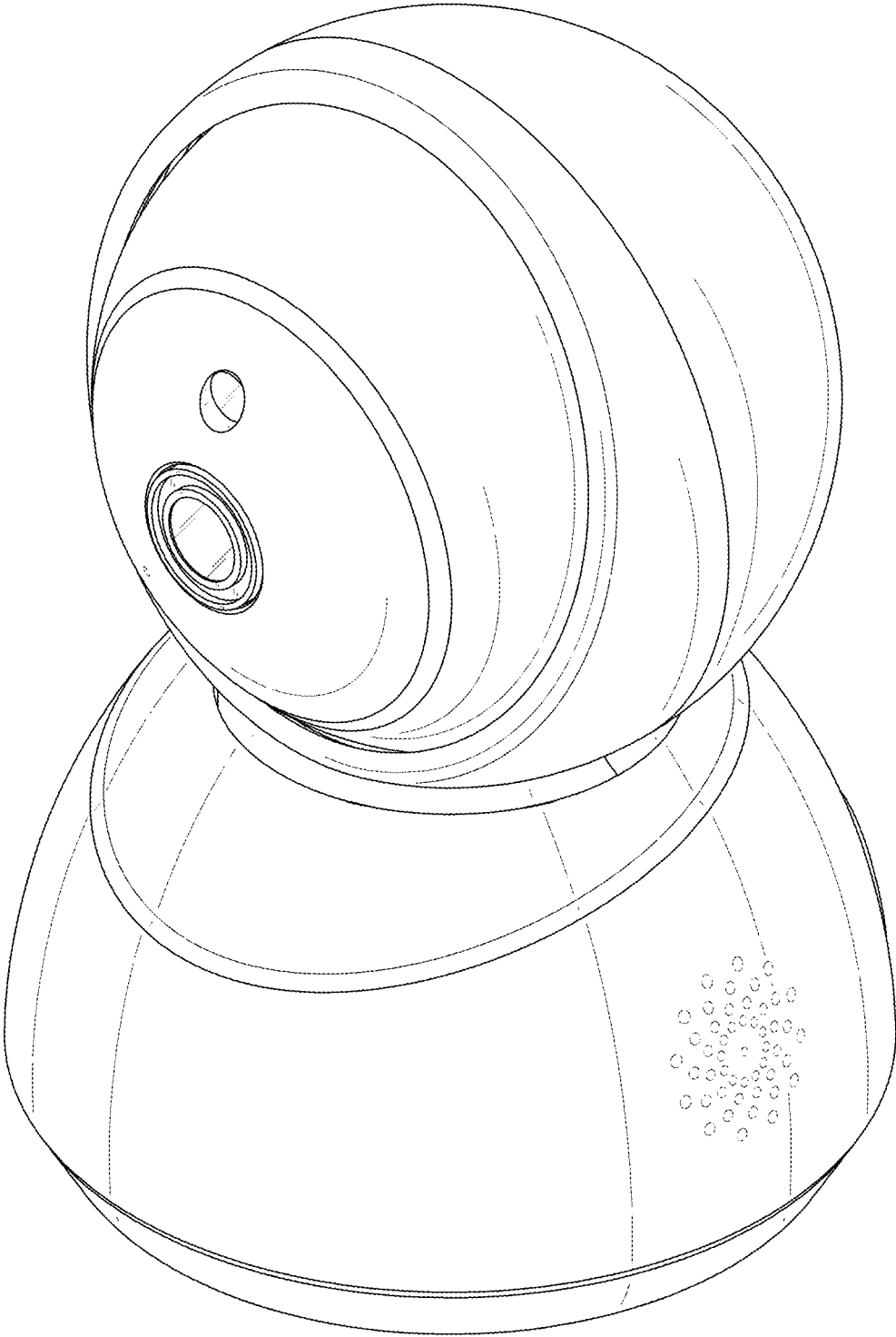


FIG. 1

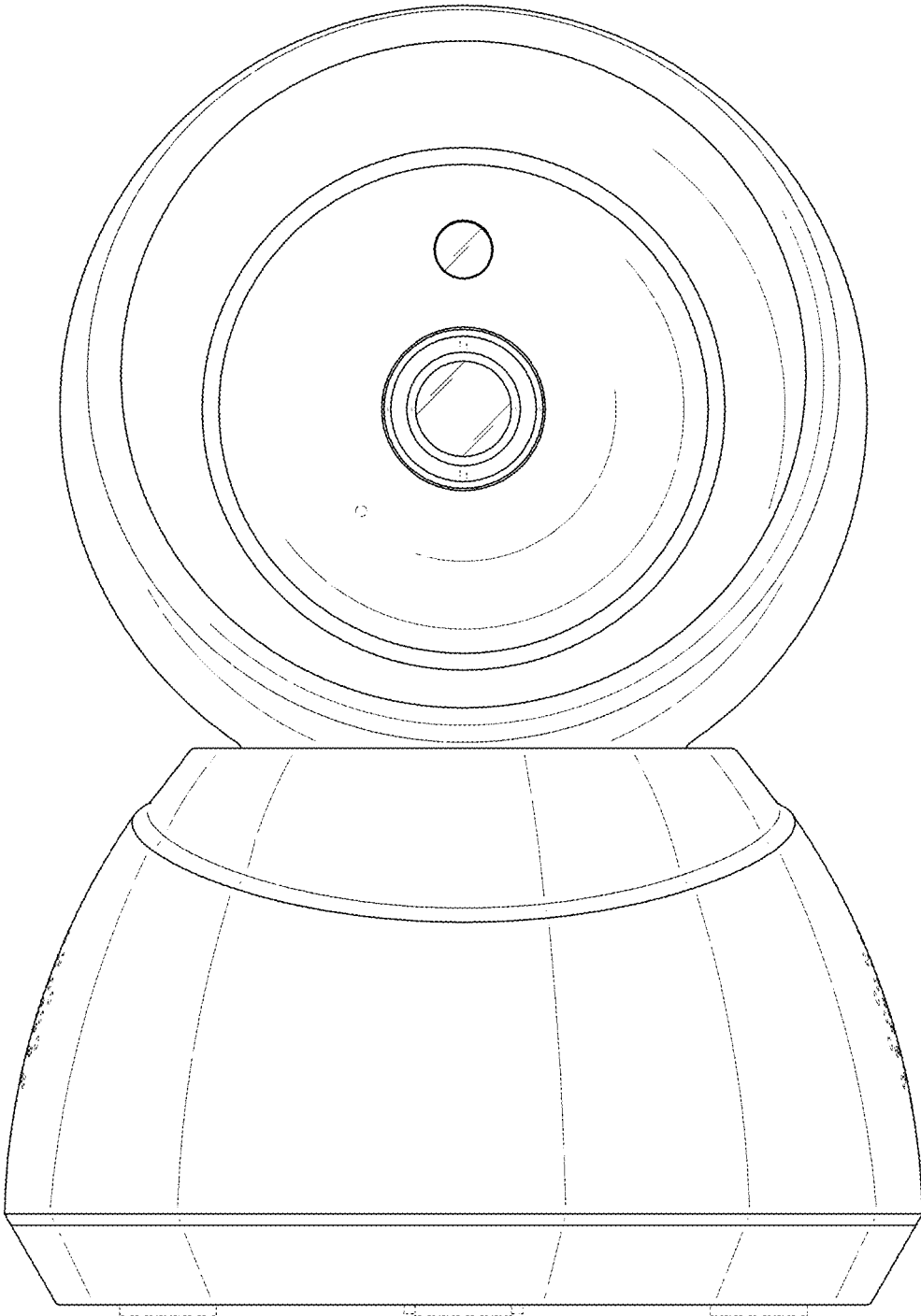


FIG. 2

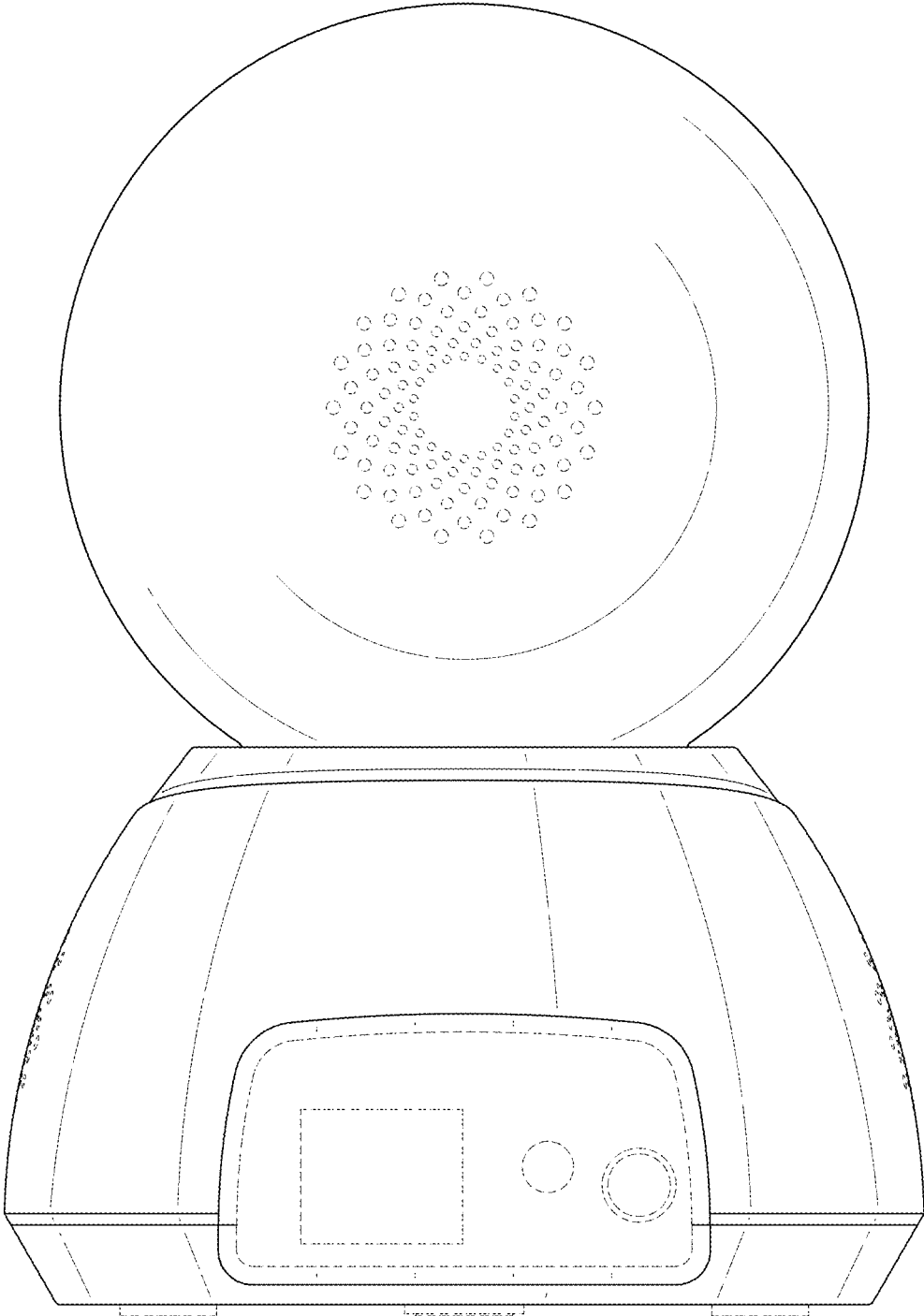


FIG. 3

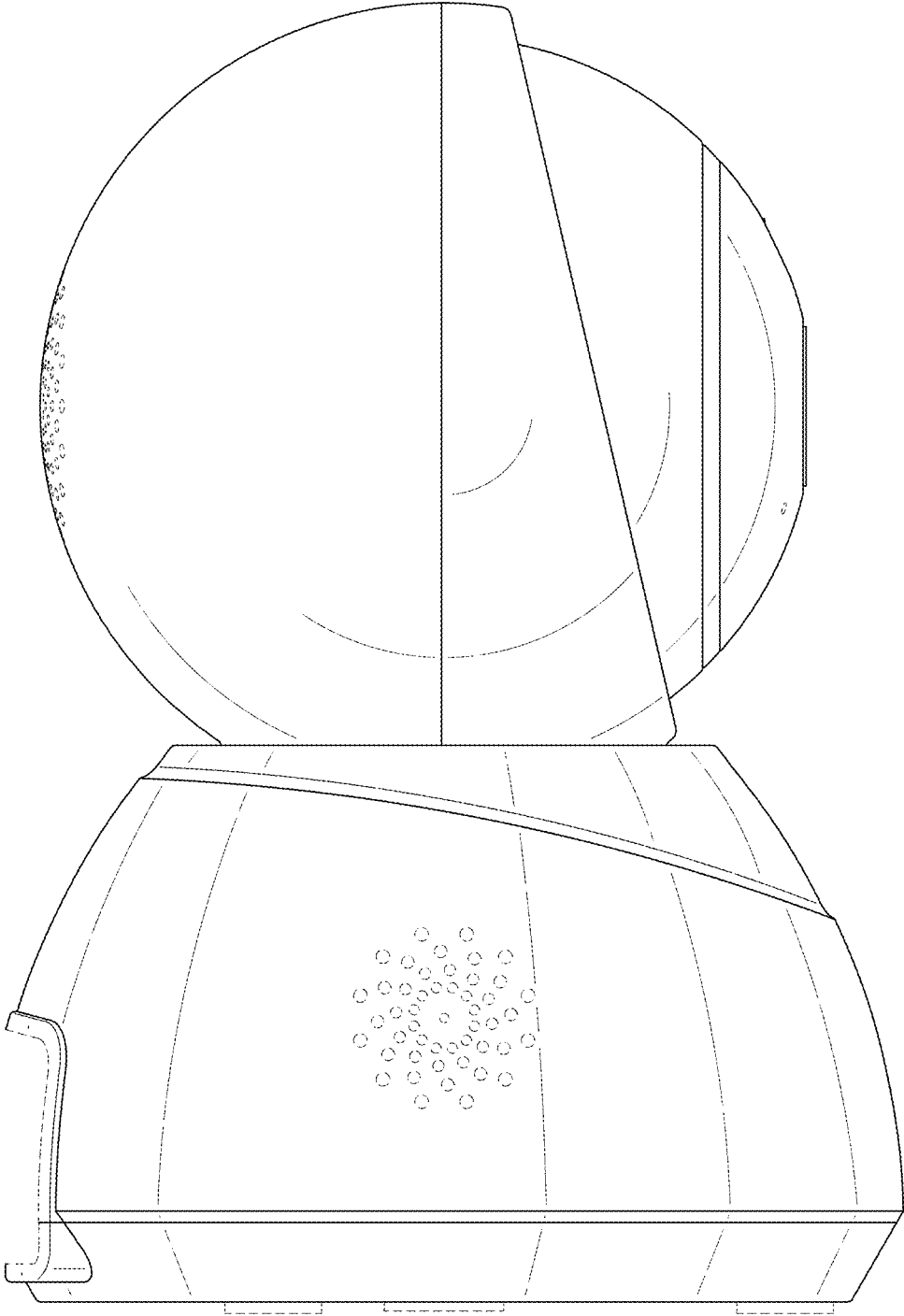


FIG. 4

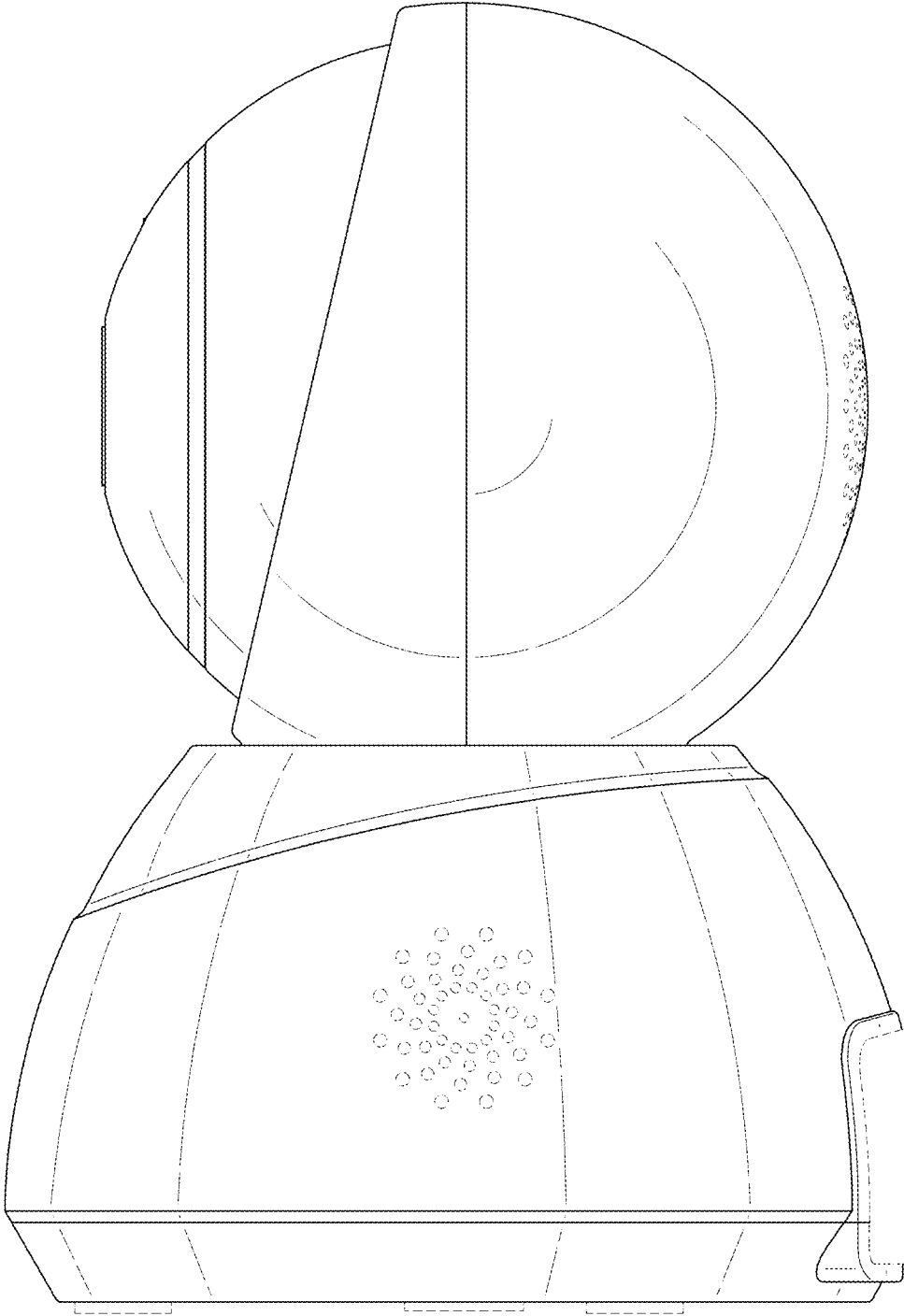


FIG. 5

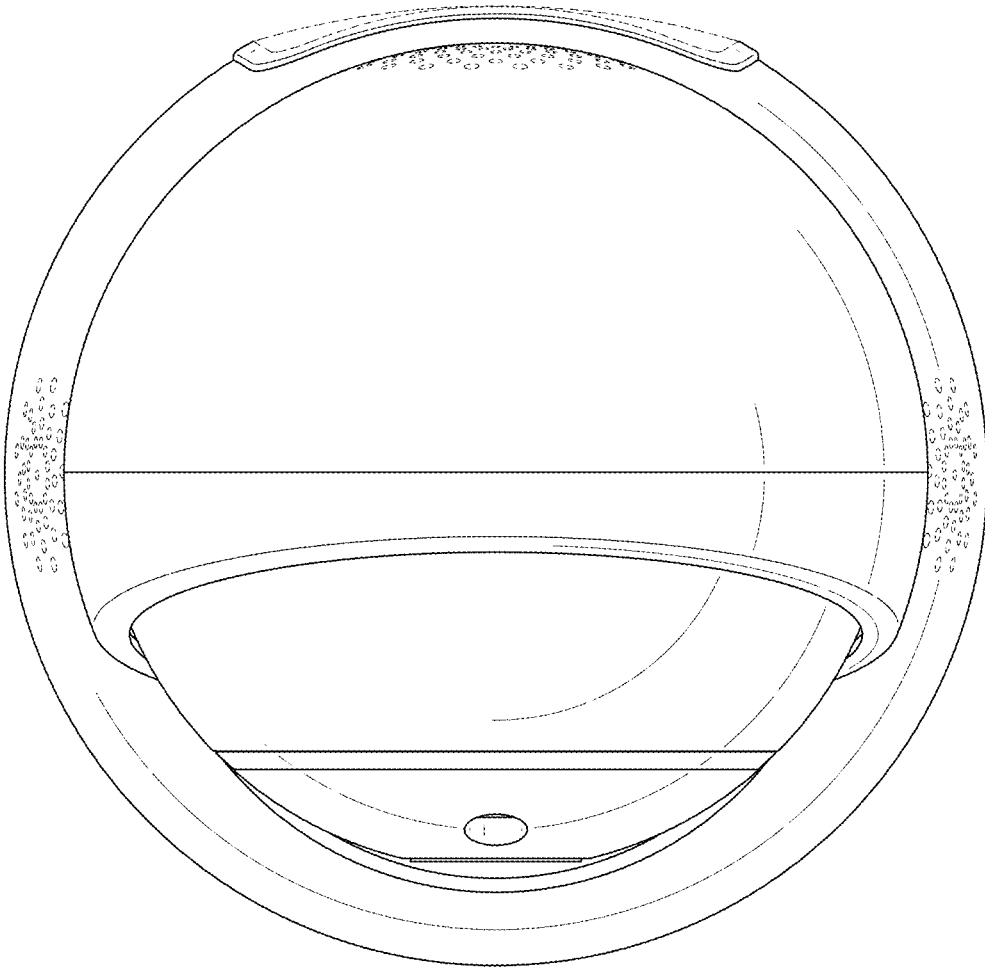


FIG. 6

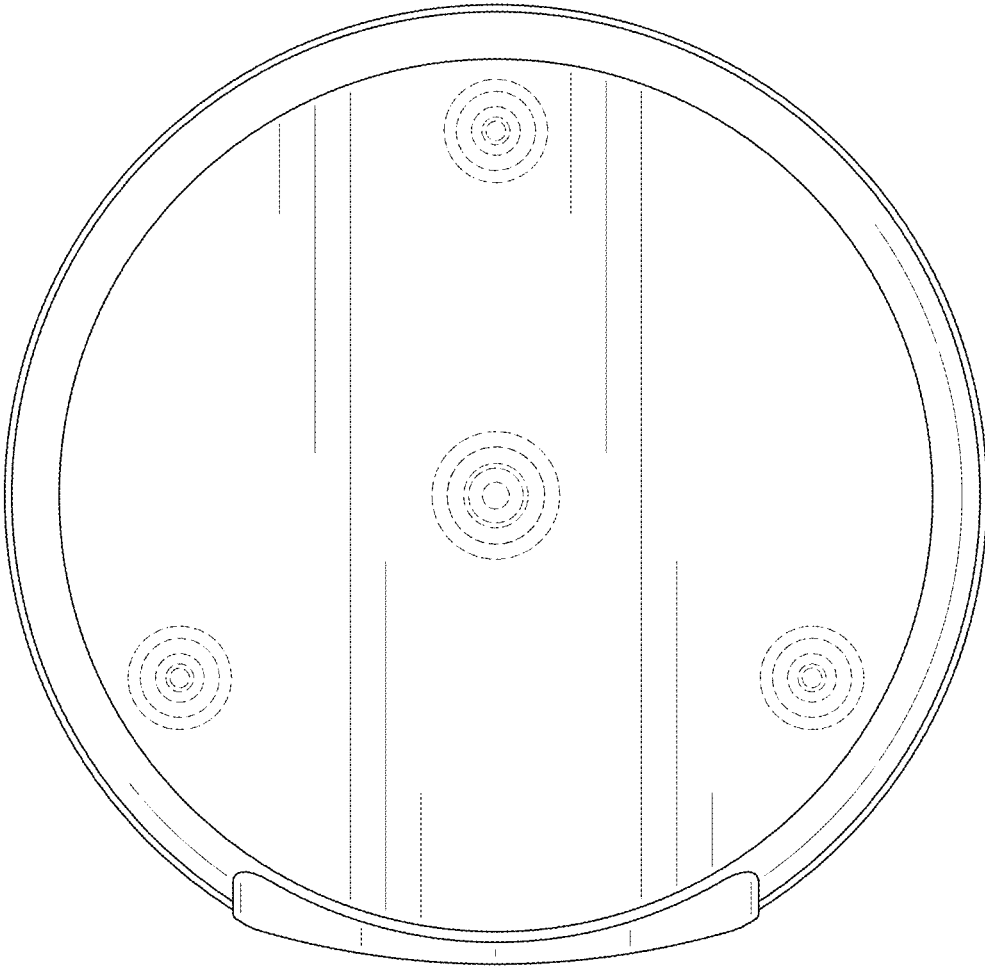


FIG. 7