



US00D413792S

United States Patent [19]

[11] Patent Number: **Des. 413,792**

Hotaling et al.

[45] Date of Patent: **** Sep. 14, 1999**

[54] **CLAMP**

5,183,311	2/1993	Meeker et al. .
5,415,456	5/1995	Hart et al. .
5,474,355	12/1995	Lerner et al. .
5,480,211	1/1996	Douglas et al. .
5,609,389	3/1997	Longoria et al. .

[75] Inventors: **Bryan R. Hotaling**, Arlington; **Jon R. Rossman**, Chelmsford, both of Mass.

[73] Assignee: **The First Years, Inc.**, Mission Viejo, Calif.

Primary Examiner—Holly Baynham
Attorney, Agent, or Firm—Fish & Richardson P.C.

[**] Term: **14 Years**

[57] **CLAIM**

[21] Appl. No.: **29/091,090**

The ornamental design for a clamp, as shown and described.

[22] Filed: **Jul. 22, 1998**

DESCRIPTION

[51] **LOC (6) Cl.** **08-08**

FIG. 1 is a perspective view of a clamp embodying the new design.

[52] **U.S. Cl.** **D8/394**

FIG. 2 is a plan view of the right side of the clamp shown in FIG. 1.

[58] **Field of Search** D8/394-396; 24/16 R, 24/455-456, 527, 528, 168

FIG. 3 is a plan view of the left side of the clamp shown in FIG. 1.

[56] **References Cited**

FIG. 4 is a front plan view of the clamp shown in FIG. 1.

U.S. PATENT DOCUMENTS

FIG. 5 is a rear plan view of the clamp shown in FIG. 1.

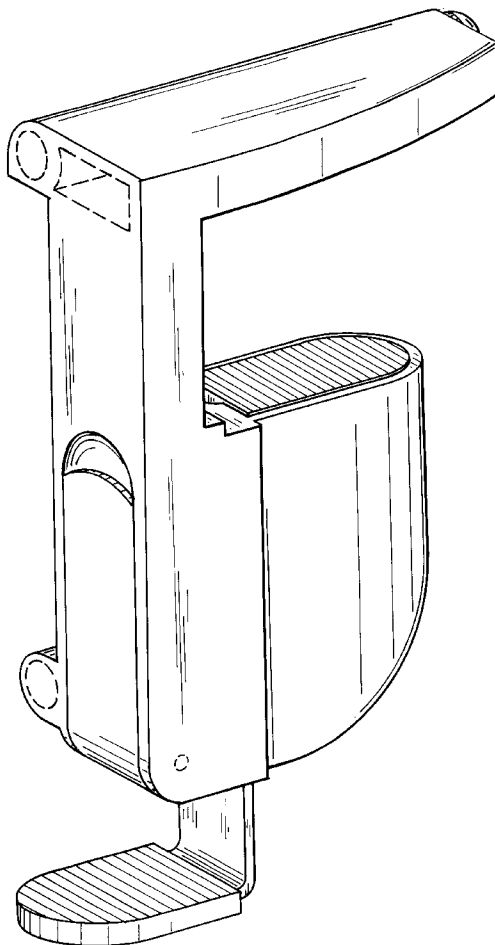
D. 252,255	7/1979	Uyeda	D8/394
D. 339,782	9/1993	Yoder	D8/394
D. 364,746	12/1995	Lerner et al.	.	
D. 374,125	10/1996	Bernstein et al.	.	
4,312,535	1/1982	Smith	.	
4,568,120	2/1986	Hoffman	.	
4,818,016	4/1989	Mariol et al.	.	

FIG. 6 is a top plan view of the clamp shown in FIG. 1; and

FIG. 7 is a bottom plan view of the clamp shown in FIG. 1.

The broken lines in the figures illustrate environmental subject matter and forms no part of the claimed design.

1 Claim, 5 Drawing Sheets



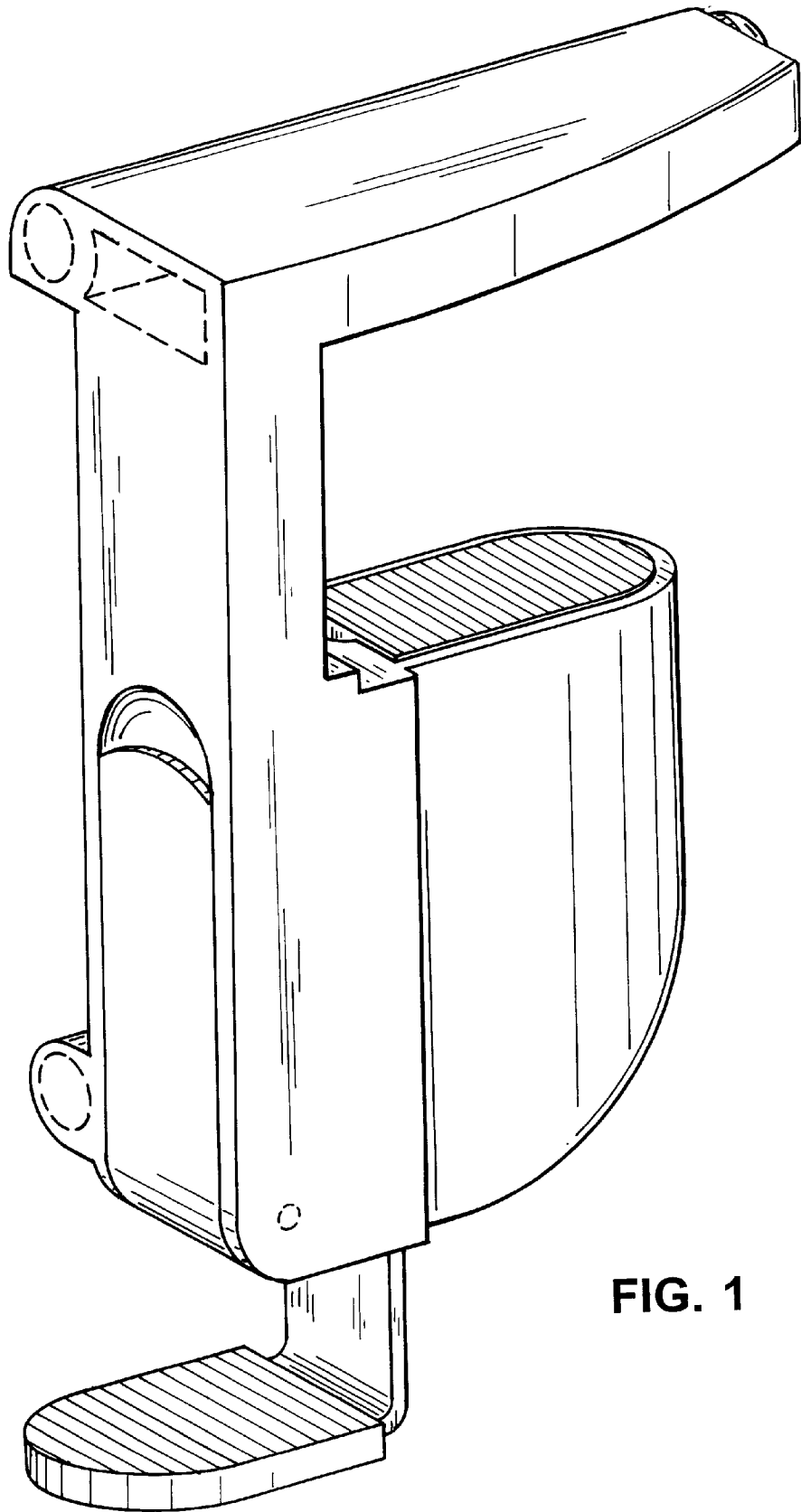


FIG. 1

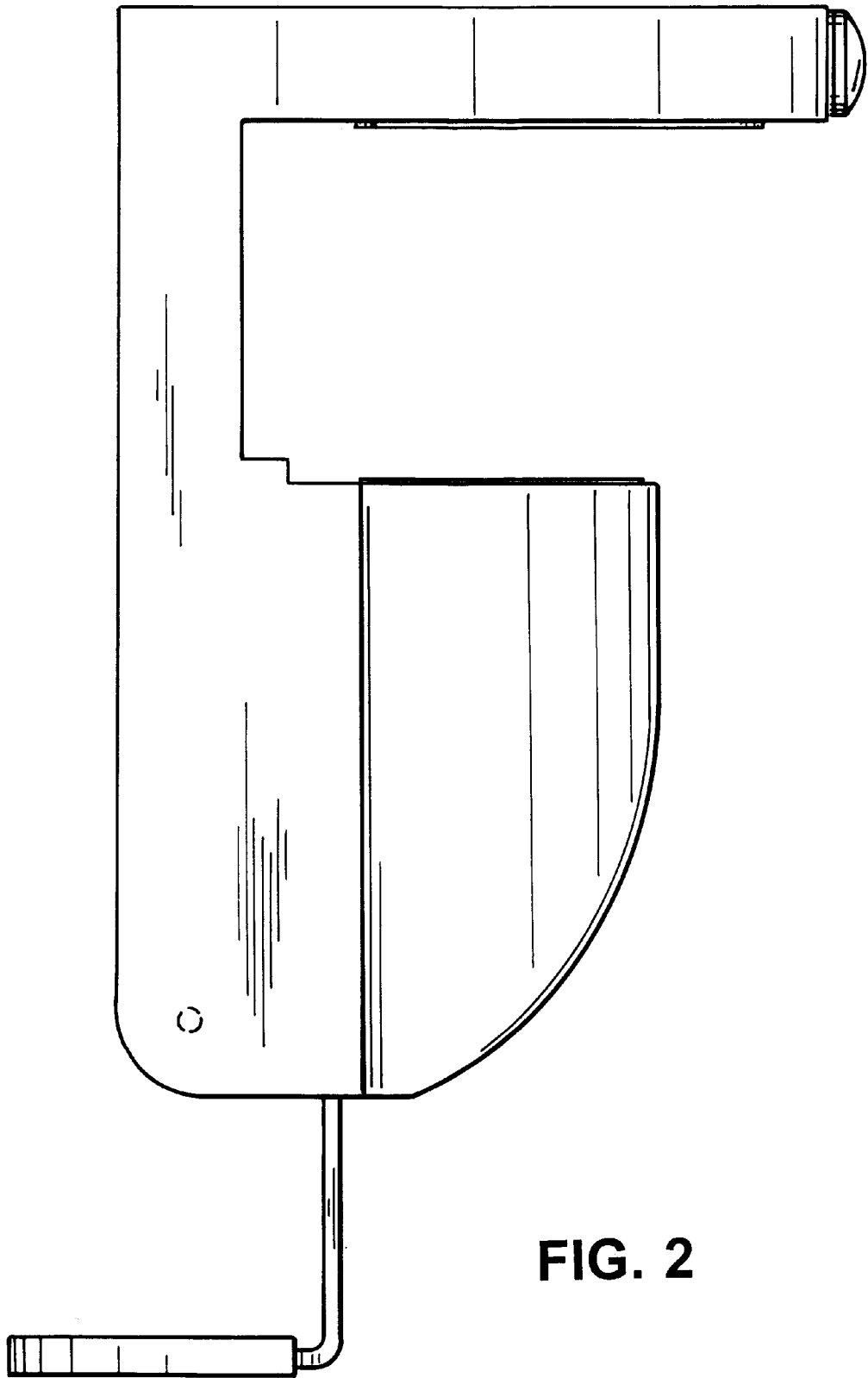


FIG. 2

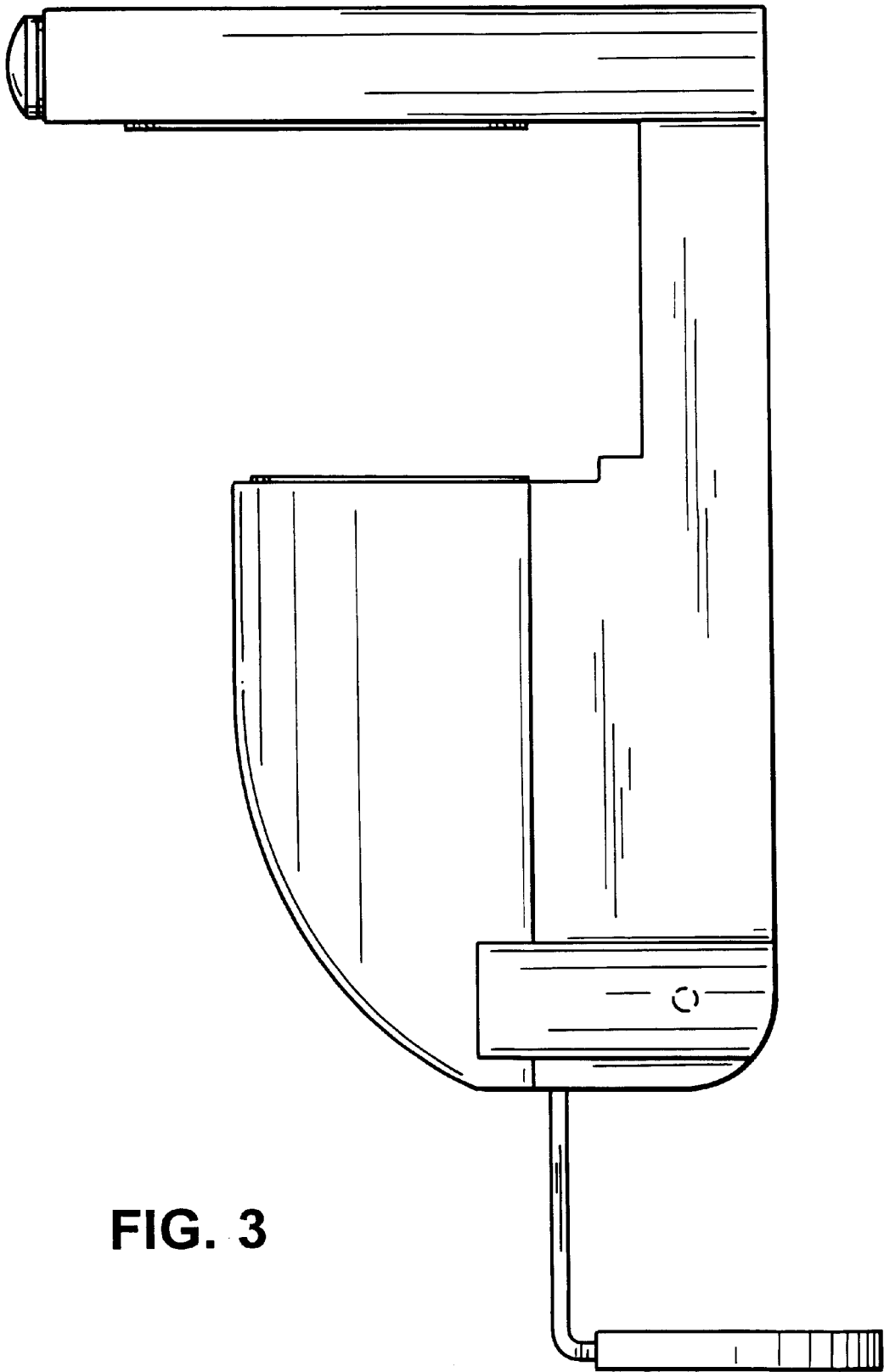


FIG. 3

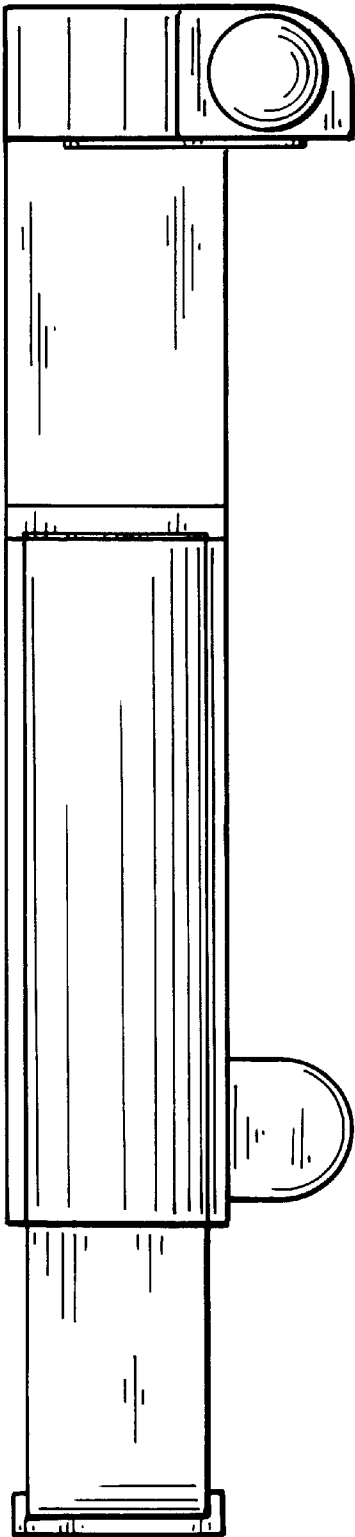


FIG. 4

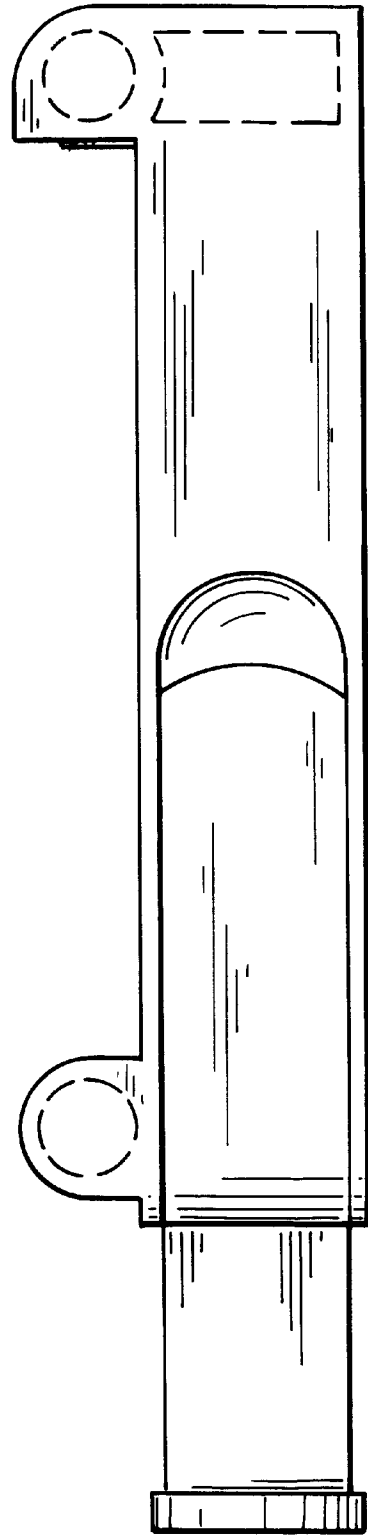


FIG. 5

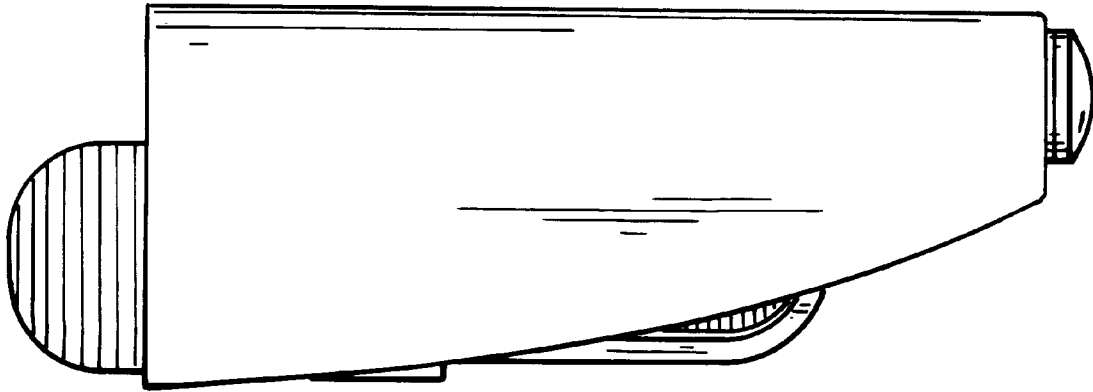


FIG. 6

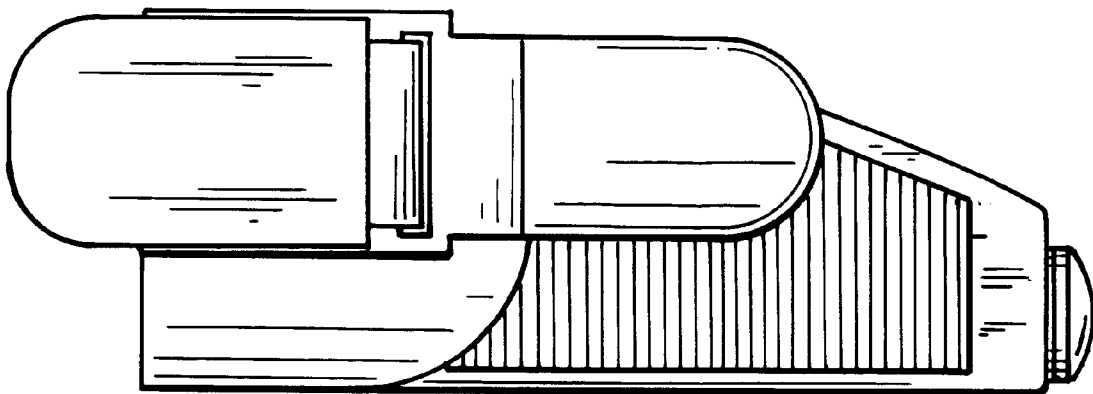


FIG. 7