



US00D755315S

(12) **United States Design Patent**
Day

(10) **Patent No.:** **US D755,315 S**

(45) **Date of Patent:** **** May 3, 2016**

- (54) **GOLF CLUB HEADCOVER**
- (71) Applicant: **Cobra Golf Incorporated**, Carlsbad, CA (US)
- (72) Inventor: **Cameron J. Day**, Aliso Niejo, CA (US)
- (73) Assignee: **COBRA GOLF INCORPORATED**, Carlsbad, CA (US)
- (**) Term: **14 Years**
- (21) Appl. No.: **29/502,970**
- (22) Filed: **Sep. 22, 2014**
- (51) **LOC (10) Cl.** **21-02**
- (52) **U.S. Cl.**
USPC **D21/754**
- (58) **Field of Classification Search**
USPC D21/754; 150/160
CPC A63B 55/007; A63B 55/00; A63B 60/62
See application file for complete search history.

(56) **References Cited**

U.S. PATENT DOCUMENTS

2,396,021	A	*	3/1946	Schloss	A63B 60/62
						150/160
5,415,213	A	*	5/1995	Diener	A63B 60/62
						150/160
D387,982	S	*	12/1997	Kaplan	D9/418
D393,893	S	*	4/1998	Pollard	D21/754
5,868,248	A	*	2/1999	Joh	A63B 55/00
						150/160
D421,780	S	*	3/2000	Whitesides	D21/754
D438,927	S	*	3/2001	Mertens	D21/754
6,374,882	B1	*	4/2002	McLoughlin	A63B 60/62
						150/160
D484,209	S	*	12/2003	Oldknow	D21/754
D506,744	S	*	6/2005	Andre	D14/205
D528,618	S	*	9/2006	Chen	D21/754
D556,844	S	*	12/2007	Lee	D21/754
D556,845	S	*	12/2007	Lee	D21/754
D576,486	S	*	9/2008	Koza	D9/432

D600,944	S	*	9/2009	McConnell	D6/675
D605,976	S	*	12/2009	Beier	D11/184
D620,953	S	*	8/2010	Andre	D14/203.3
D639,494	S	*	6/2011	Schrimmer	D26/104
D653,614	S	*	2/2012	Au	D13/108
D668,143	S	*	10/2012	Akana	D14/496
D670,777	S	*	11/2012	Roberts	D21/754
D671,605	S	*	11/2012	Roberts	D21/754
D681,548	S	*	5/2013	Zhang	D13/102
D683,314	S	*	5/2013	Andre	D13/108
D684,215	S	*	6/2013	Markowitz	D21/333
D686,065	S	*	7/2013	Kuo	D9/432
D698,869	S	*	2/2014	Strzelewicz	D21/499
D709,758	S	*	7/2014	Burdock-Latter	D9/418
D710,951	S	*	8/2014	Robertson	D21/465
D711,990	S	*	8/2014	Roberts	D21/754
D713,405	S	*	9/2014	Akana	D14/349
D714,249	S	*	9/2014	Carney	D14/140
D722,264	S	*	2/2015	Saideh	D9/418
D734,550	S	*	7/2015	Schlatter	D28/83

(Continued)

Primary Examiner — Mark Goodwin

(74) *Attorney, Agent, or Firm* — Brown Rudnick LLP; Mark S. Leonardo

(57) **CLAIM**

The ornamental design for a golf club headcover, as shown and described.

DESCRIPTION

FIG. 1 illustrates a perspective view of a golf club headcover employing an ornamental design in accordance with the present invention;

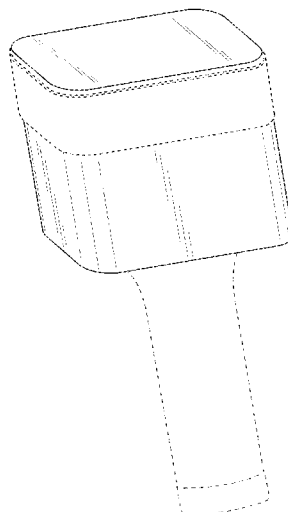
FIG. 2 illustrates a right side view of the golf club headcover of FIG. 1, wherein the left, front and back side views are mirror images thereof;

FIG. 3 illustrates a top side view of the golf club headcover of FIG. 1; and,

FIG. 4 illustrates a bottom side view of the golf club headcover of FIG. 1.

All features illustrated in phantom line are expressly disclaimed and form no part of the claimed design.

1 Claim, 4 Drawing Sheets



US D755,315 S

Page 2

(56)

References Cited

U.S. PATENT DOCUMENTS

D735,662 S *	8/2015	Ward	D13/108	D739,904 S *	9/2015	McGrath	D21/754
D738,167 S *	9/2015	Weernink	D7/644	D742,593 S *	11/2015	Corey	D28/83
D739,657 S *	9/2015	Hsieh	D3/319	2001/0035243 A1 *	11/2001	Choe	A63B 60/62 150/160

* cited by examiner

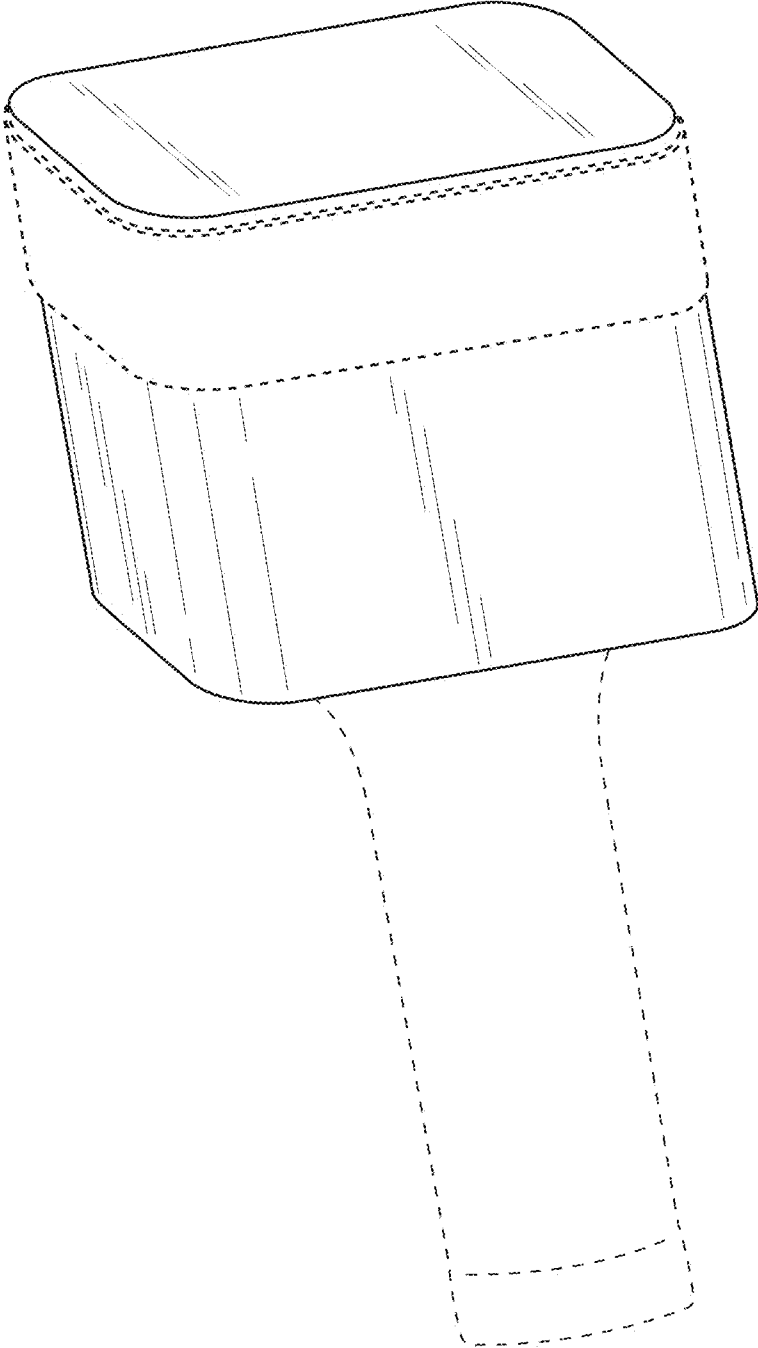


FIG.1

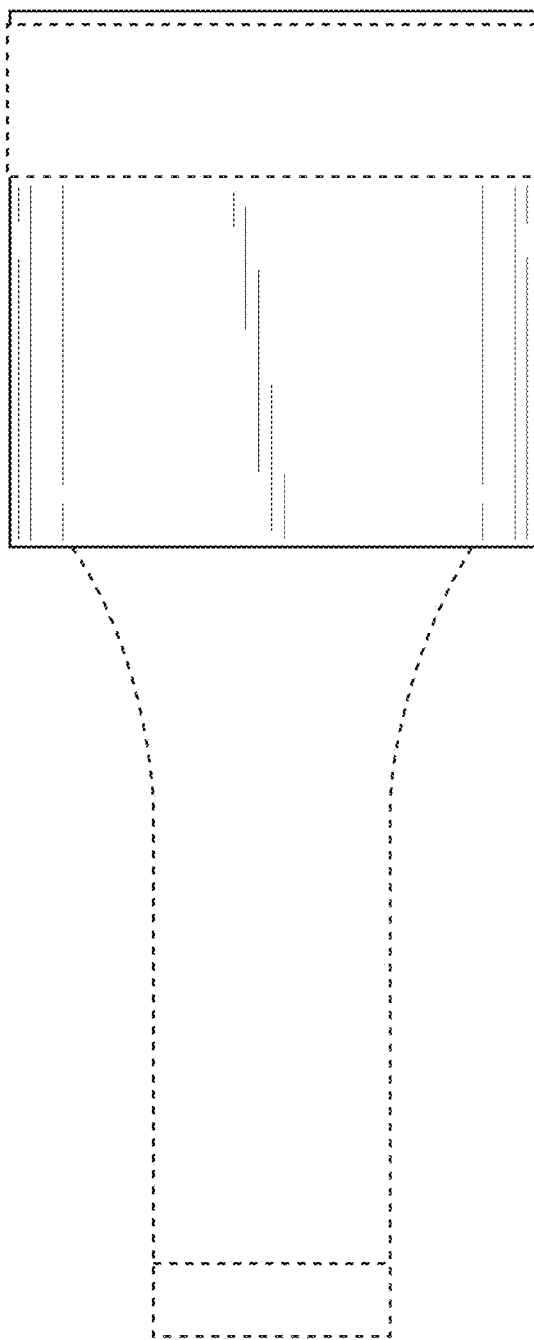


FIG. 2

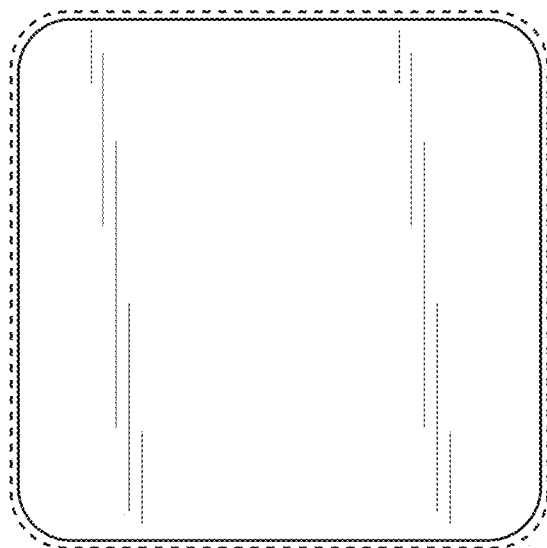


FIG.3

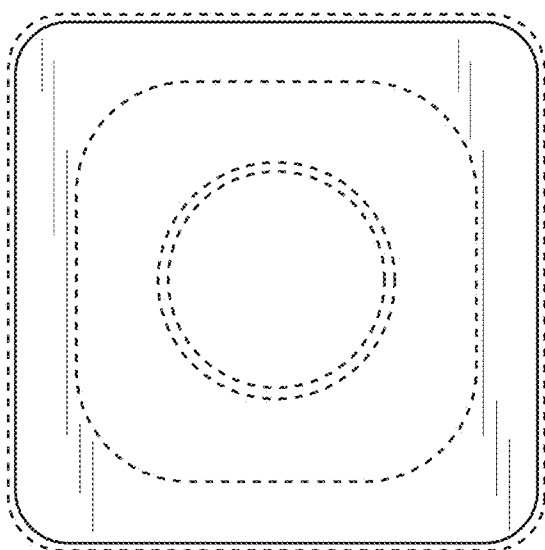


FIG. 4