



US0D1011835S

(12) **United States Design Patent**  
**Hazelton**

(10) **Patent No.:** **US D1,011,835 S**

(45) **Date of Patent:** **\*\* Jan. 23, 2024**

(54) **CONDIMENT BOTTLE**

(71) Applicant: **Helen of Troy Limited**, St. Michael (BB)

(72) Inventor: **Lance E. Hazelton**, Maplewood, NJ (US)

(73) Assignee: **Helen of Troy Limited**, St. Michael (BB)

(\*\*) Term: **15 Years**

(21) Appl. No.: **29/812,026**

(22) Filed: **Oct. 19, 2021**

(51) **LOC (14) Cl.** ..... **07-01**

(52) **U.S. Cl.**  
USPC ..... **D7/510; D9/446**

(58) **Field of Classification Search**  
USPC ..... D7/509, 543, 300, 589, 396.2, 507, 529,  
D7/619.1, 622, 531, 532, 396.1, 608, 505,  
D7/213, 510, 511, 523, 533, 535, 536,  
D7/392.1, 600, 900; D9/500, 516, 549,  
D9/547, 443, 446, 449; D3/202  
CPC ..... A63F 2009/0058; A47G 19/2205; A47G  
21/18; A47G 19/22; A47G 19/2288; A47J  
41/00; A47J 41/0055; A47J 41/0022;  
A47J 41/0077; A47J 41/0088; B65D  
21/02; B65D 1/40; B65D 21/086; A45F  
2003/205; Y10S 220/903

See application file for complete search history.

(56) **References Cited**

**U.S. PATENT DOCUMENTS**

D226,555	S *	3/1973	Weber	.....	D9/446
4,394,918	A	7/1983	Grussen	.....	
D451,393	S *	12/2001	Gerhart	.....	D9/453
D512,874	S *	12/2005	Poulson	.....	D7/510
7,175,294	B1 *	2/2007	Estrada	.....	F21V 33/0024 362/101
D591,106	S *	4/2009	Dominique	.....	D7/532

7,591,398	B2	9/2009	Pritikin	.....	
D632,958	S *	2/2011	Fuchs	.....	D9/453
D650,629	S *	12/2011	Gilbert	.....	D9/446
D680,805	S *	4/2013	Rosbach	.....	D7/392.1
8,544,685	B2	10/2013	Swanick	.....	
D724,894	S *	3/2015	Brosius	.....	D7/510

(Continued)

**FOREIGN PATENT DOCUMENTS**

CN	303899033	*	10/2016
GB	6203305	*	4/2022

(Continued)

**OTHER PUBLICATIONS**

OXO [online] URL: <https://www.oxo.com/oxo-outdoor-leakproof-squeeze-bottle-set.html> (site visited: Oct. 25, 2023) (Year: 2022).\*

(Continued)

*Primary Examiner* — Michael C Stout  
*Assistant Examiner* — Tia Ruth-Renee Polidori  
(74) *Attorney, Agent, or Firm* — Rankin, Hill & Clark LLP

(57) **CLAIM**

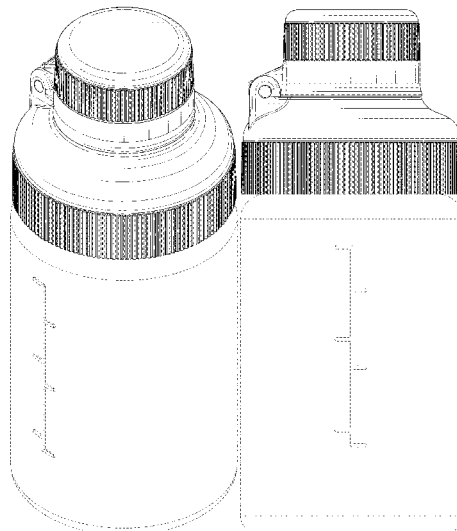
The ornamental design for a condiment bottle, as shown and described.

**DESCRIPTION**

FIG. 1 is a perspective view of a condiment bottle showing my new design;  
FIG. 2 is a front elevation view of FIG. 1;  
FIG. 3 is a rear elevation view of FIG. 1;  
FIG. 4 is a left side elevation view of FIG. 1;  
FIG. 5 is a right side elevation view of FIG. 1;  
FIG. 6 is a top plan view of FIG. 1; and,  
FIG. 7 is a bottom plan view of FIG. 1.

The broken lines in the drawings depict portions of the condiment bottle that form no part of the claimed design.

**1 Claim, 6 Drawing Sheets**



(56)

**References Cited**

U.S. PATENT DOCUMENTS

D760,489	S *	7/2016	De La Torre .....	D3/203.1
D762,117	S *	7/2016	Joseph .....	D9/434
D850,257	S *	6/2019	Hazelton .....	D9/446
D859,157	S *	9/2019	Hazelton .....	D9/503
2006/0180585	A1	8/2006	Cunningham	
2013/0256310	A1 *	10/2013	Hojo .....	B65D 35/18 220/361
2014/0224760	A1 *	8/2014	Alsewailam .....	A45F 3/18 220/703
2018/0127166	A1 *	5/2018	Sze .....	B65D 11/18
2020/0017260	A1	1/2020	Migas	
2020/0216212	A1 *	7/2020	Spaccarelli .....	A47G 19/00
2023/0119977	A1 *	4/2023	Hazelton .....	B65D 47/0857 222/137

FOREIGN PATENT DOCUMENTS

GB	6290446	*	8/2023
WO	2021028167		2/2021

OTHER PUBLICATIONS

Built [online] URL: <https://www.amazon.com/BUILT-Cascade-Motivational-Resistant-Leakproof/dp/B0BB44Z3YY?th=1> (site visited: Oct. 25, 2023) (Year: 2022).\*

OXO [online] URL: <https://www.oxo.com/good-grips-grilling-basting-bottle-12-oz-355-ml.html> (site visited: Oct. 25, 2023) (Year: 2023).\*

AliExpress [online] URL: <https://www.aliexpress.us/item/2255799817366169.html?gatewayAdapt=glo2usa4itemAdapt> (site visited: Oct. 25, 2023) (Year: 2023).\*

Temu [online] URL: <https://www temu.com/1pc-squeeze-bottles-condiment-squeeze-bottles-squeeze-squirt-condiment-bottles-with-squeeze-top-kitchen-oil-squirt-bottle-sauce-squeeze-bottles-g-601099516473365.html> (site visited: Oct. 25, 2023) (Year: 2023).\*

Cole-Parmer [online] URL: <https://www.coleparmer.com/i/scienceware-20320-1660-ptfe-joint-stirrer-bearing-for-standard-taper-size-24-40-1-pk/0613985> (site visited: Oct. 25, 2023) (Year: 2010).\*

\* cited by examiner

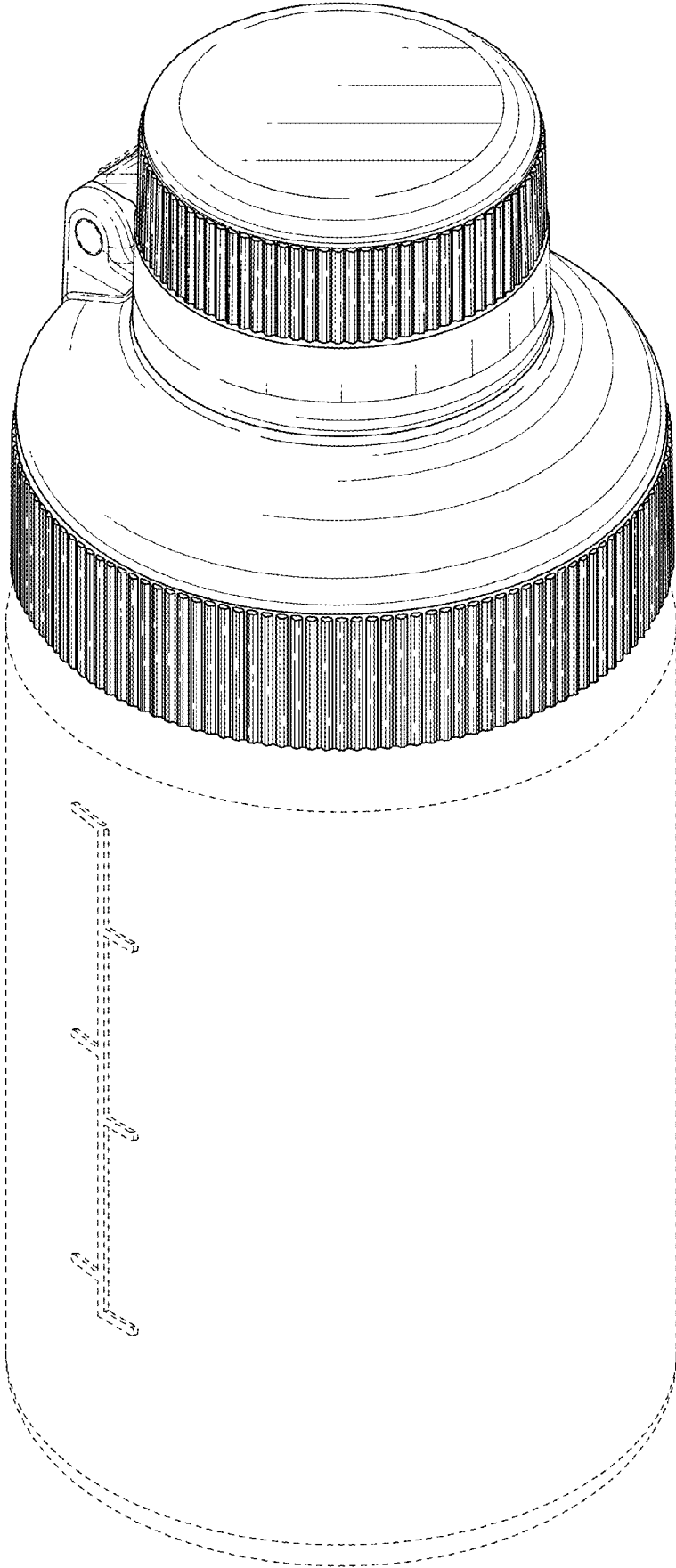


FIG. 1

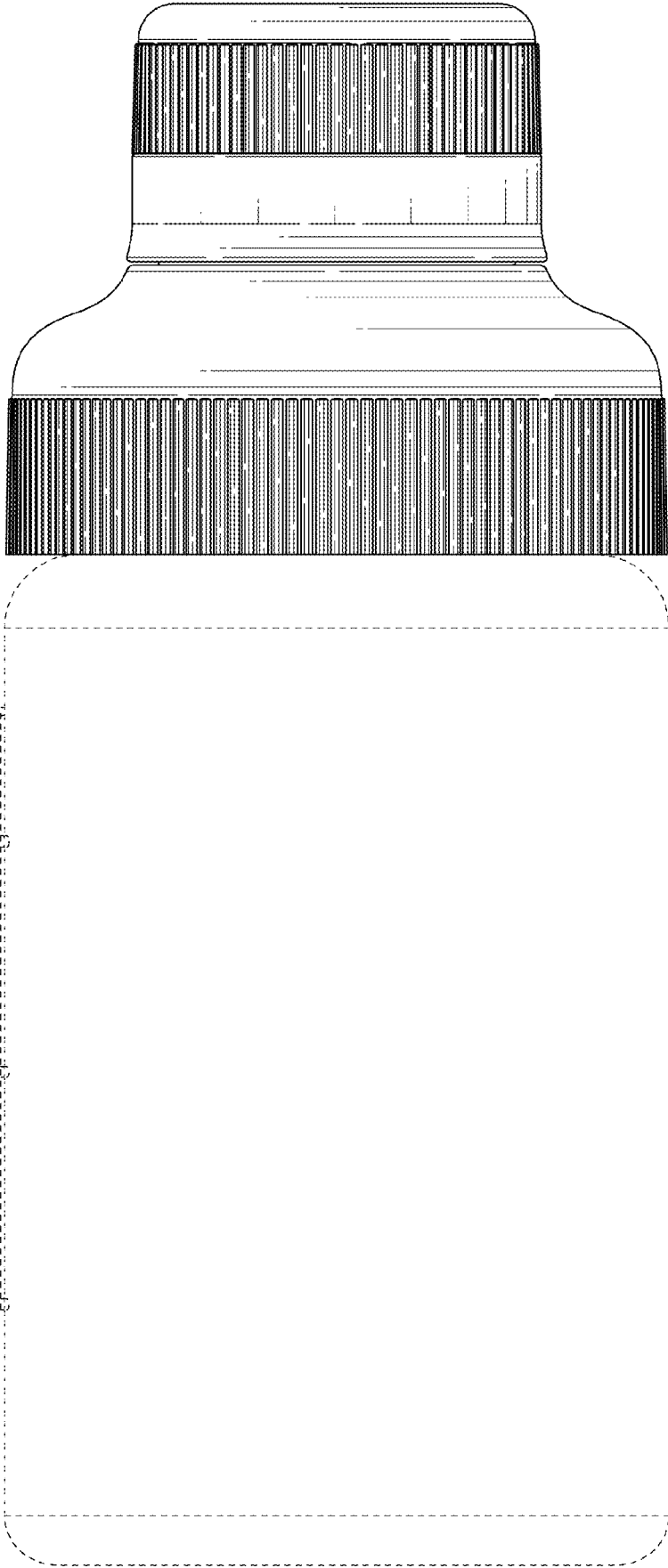


FIG. 2

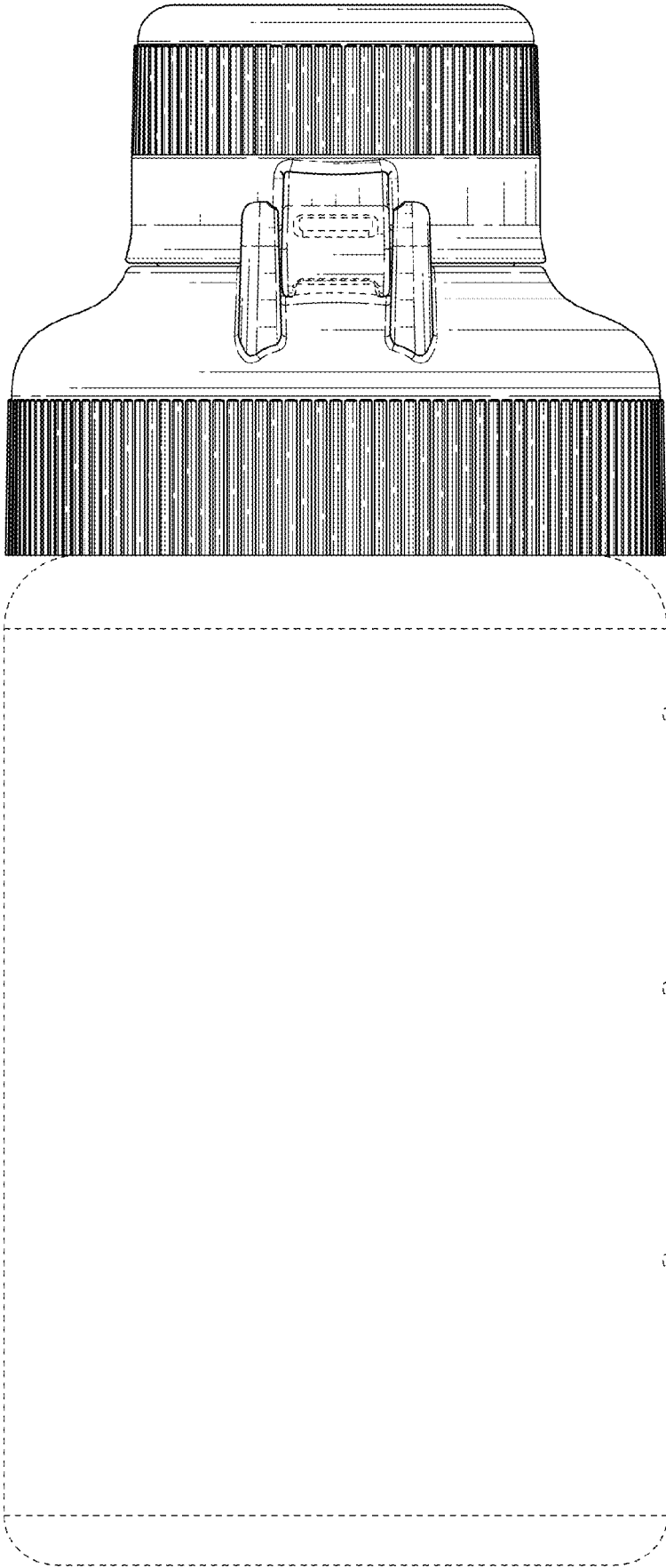


FIG. 3

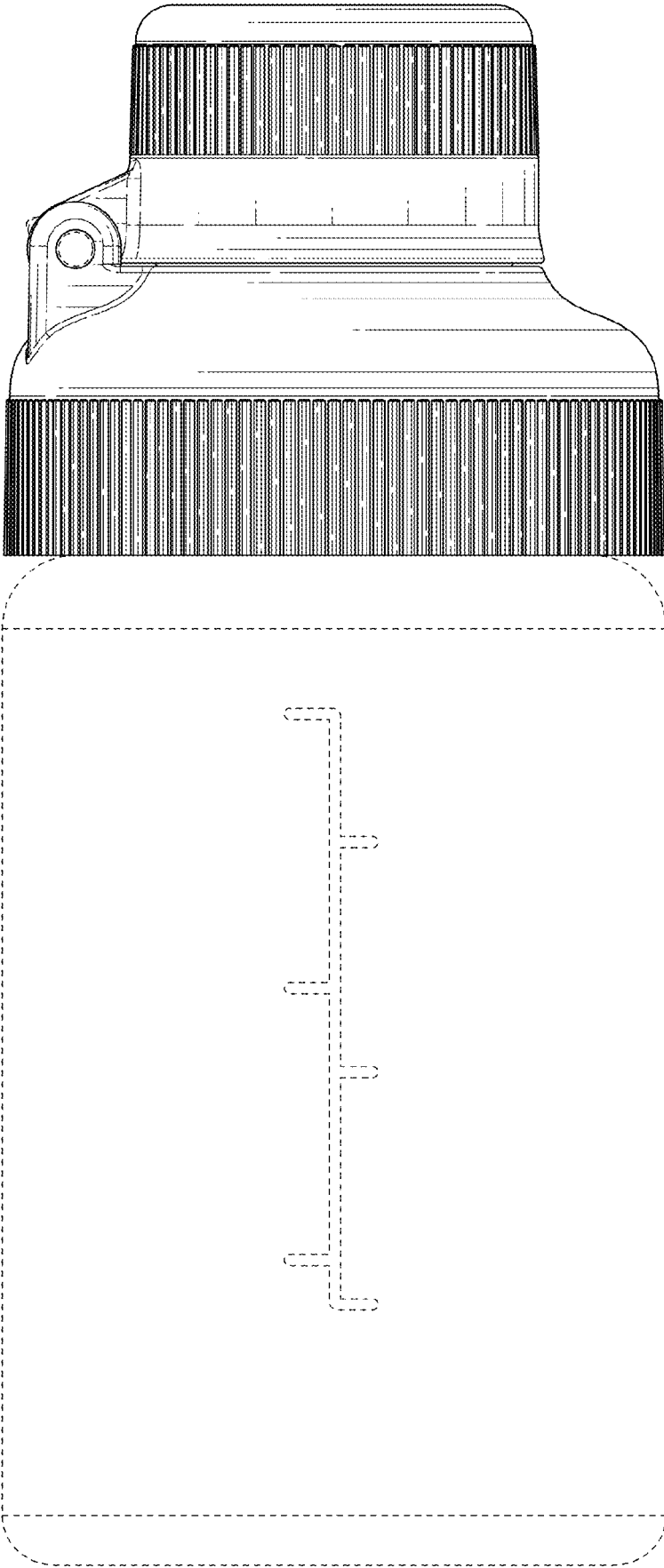


FIG. 4

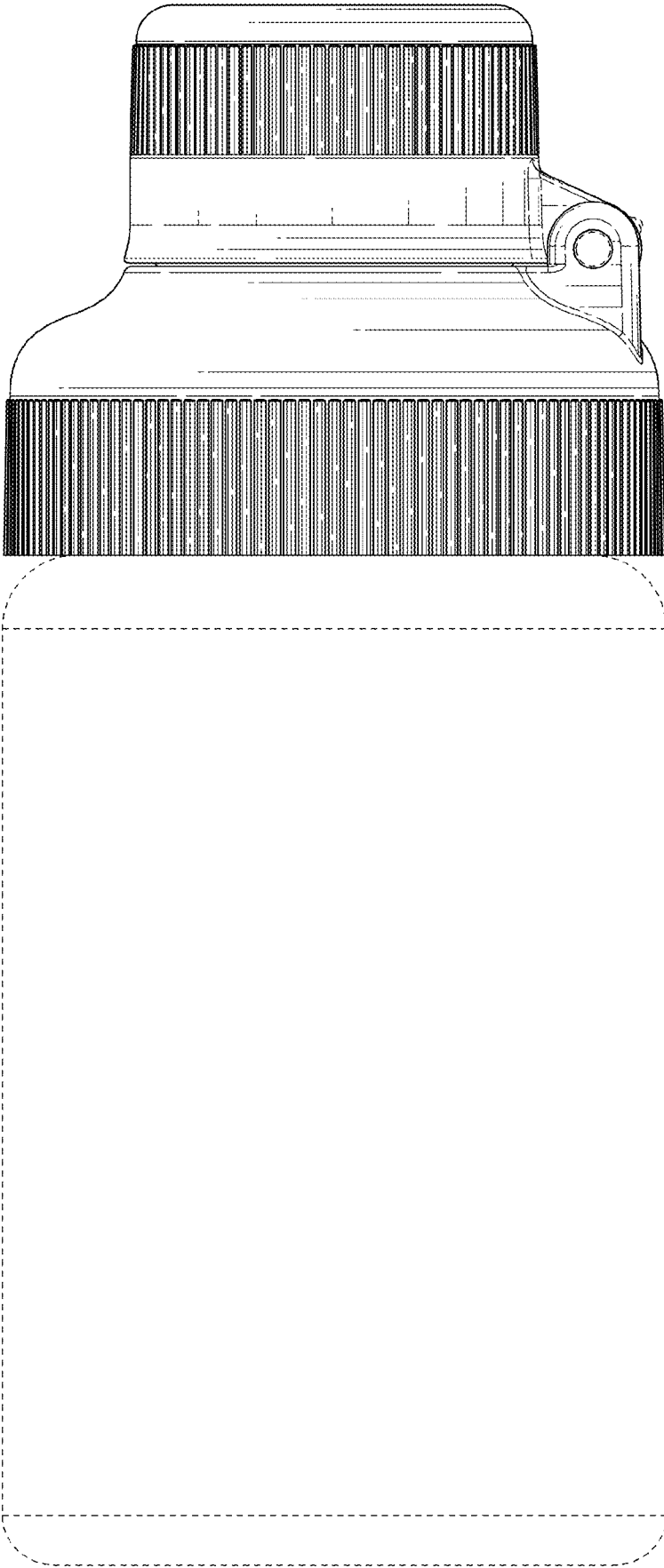


FIG. 5

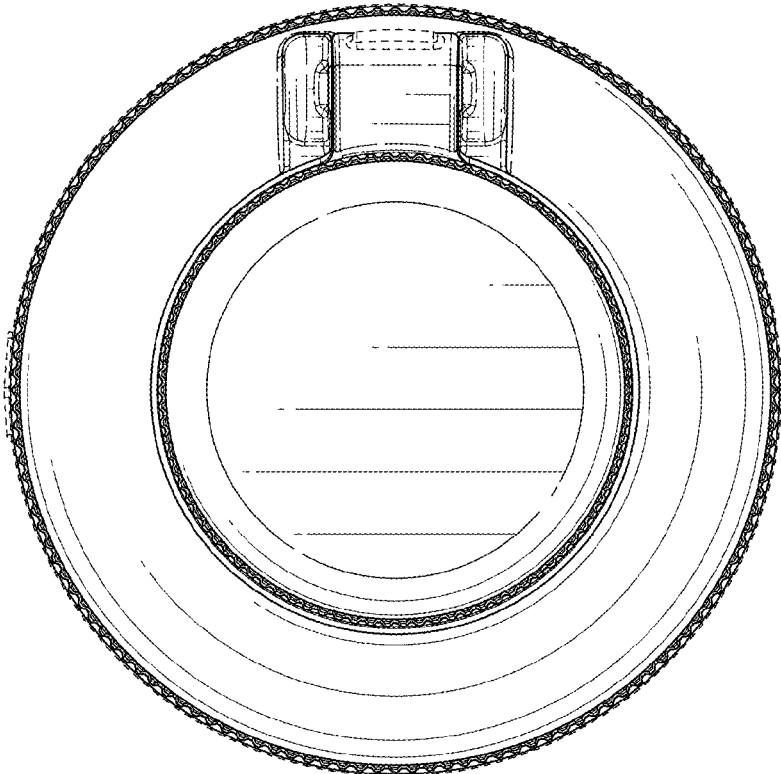


FIG. 6

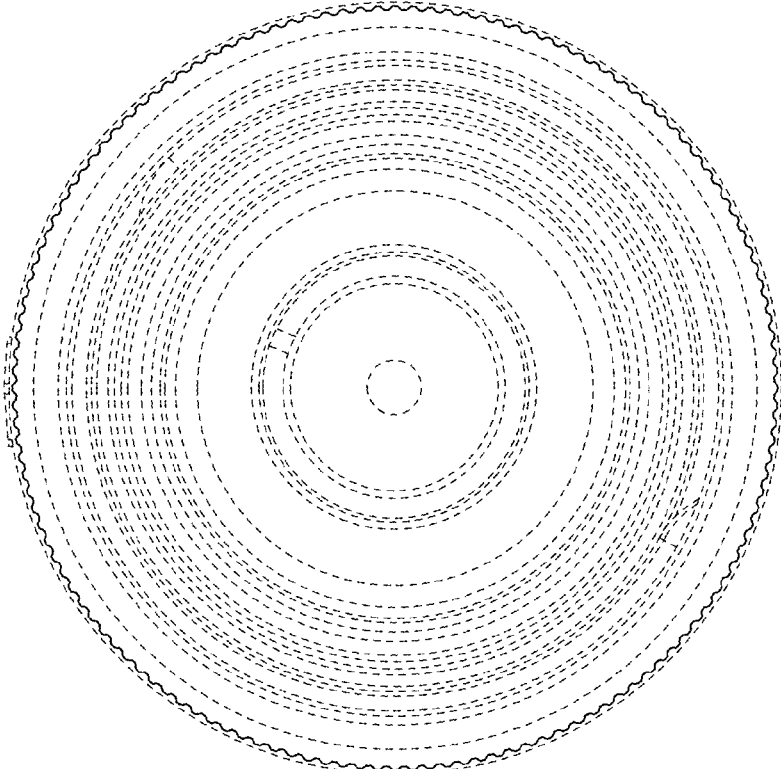


FIG. 7