



US00D757260S

(12) **United States Design Patent**
Lombardi, III et al.

(10) **Patent No.:** **US D757,260 S**

(45) **Date of Patent:** **** May 24, 2016**

(54) **QUICK CONNECT FLUID CONNECTOR COMPONENT**

(71) Applicant: **Nordson Corporation**, Westlake, OH (US)

(72) Inventors: **Francis J. Lombardi, III**, Erie, CO (US); **Derrick S. Sjodin**, Bloomfield, CO (US)

(73) Assignee: **Nordson Corporation**, Westlake, OH (US)

(**) Term: **14 Years**

(21) Appl. No.: **29/523,796**

(22) Filed: **Apr. 14, 2015**

Related U.S. Application Data

(62) Division of application No. 29/466,839, filed on Sep. 12, 2013, now Pat. No. Des. 730,518.

(51) **LOC (10) Cl.** **24-01**

(52) **U.S. Cl.**
USPC **D24/129**

(58) **Field of Classification Search**

USPC D24/127-131, 112-114, 133, 186;
606/181, 185; 604/264, 272, 115, 232,
604/187, 158, 164.08, 192, 263, 163, 181,
604/184, 198, 227; 600/101, 139, 143;
128/200.24, 207.14, 207.15
CPC A61M 39/1011; F16L 37/0841; F16L
2201/20; F16L 2201/60

See application file for complete search history.

(56) **References Cited**

U.S. PATENT DOCUMENTS

D547,447 S 7/2007 Bruce et al.
D627,880 S * 11/2010 Ellis D24/130
D627,881 S * 11/2010 Ellis D24/130

D630,320 S 1/2011 Lombardi, III et al.
D631,960 S 2/2011 Myers
D634,840 S 3/2011 Lombardi, III et al.
8,020,551 B2 9/2011 Virr et al.
D649,240 S 11/2011 Lewis et al.
D650,478 S 12/2011 Lewis
D652,510 S 1/2012 Lombardi, III et al.
8,235,426 B2 8/2012 Pisula, Jr. et al.
D678,512 S 3/2013 Bow

(Continued)

OTHER PUBLICATIONS

Nordson Medical, RQF655 Female Open Flow Connector, 600 Series Jan. 17, 2014, http://www.nordsonmedical.com/technical/part_drawings/RQCF655-6005.pdf*

(Continued)

Primary Examiner — David Muller

Assistant Examiner — Nathan Johnston

(74) *Attorney, Agent, or Firm* — Baker & Hostetler LLP

(57) **CLAIM**

The ornamental design for a quick connect fluid connector component, therefor as shown and described.

DESCRIPTION

FIG. 1 is an isometric view of a fluid connector component, showing our new invention.

FIG. 2 is a front elevation view thereof.

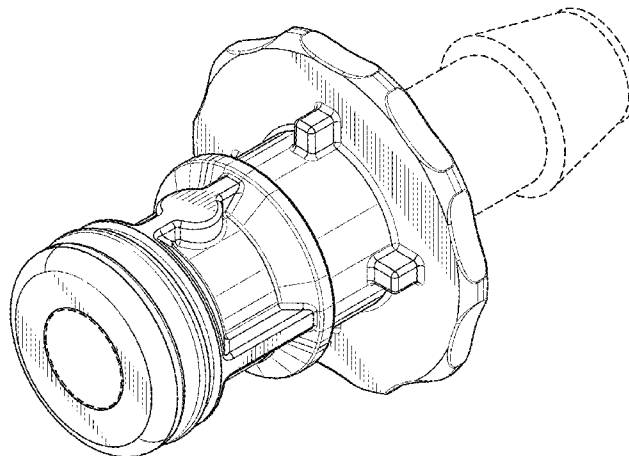
FIG. 3 is a right side elevation view thereof with the left side elevation view being a mirror image thereof.

FIG. 4 is a rear elevation view thereof; and,

FIG. 5 is a top plan view of the fluid connector component according to the first embodiment with the bottom view being a mirror image thereof.

The broken lines in the figures are shown for the purpose of illustrating boundaries of the claimed design and the areas inside the broken line boundaries form no part of the claimed design.

1 Claim, 3 Drawing Sheets



(56)

References Cited

U.S. PATENT DOCUMENTS

D699,840 S 2/2014 Lombardi, III et al.
D733,265 S * 6/2015 Eriksen D23/262
9,046,205 B2 * 6/2015 Whitaker A61M 39/10
2007/0169825 A1 7/2007 Packham et al.
2008/0110455 A1 5/2008 Dunsmore et al.
2012/0227221 A1 * 9/2012 Whitaker A61M 39/1011
24/459
2013/0320672 A1 * 12/2013 Steele F16L 37/0982
285/305

2015/0013809 A1 * 1/2015 Lopez A61M 39/10
137/798
2015/0076815 A1 * 3/2015 Lombardi, III ... A61M 39/1011
285/317
2015/0115598 A1 * 4/2015 Lombardi, III F16L 37/56
285/124.1

OTHER PUBLICATIONS

Nordson Medical, RQCM655 Series Male Open Flow Connector,
600 Series Barb, Jan. 22, 2014, [http://www.nordsonmedical.com/
technical/part_drawings/RQCM655-6005.pdf](http://www.nordsonmedical.com/technical/part_drawings/RQCM655-6005.pdf).*

* cited by examiner

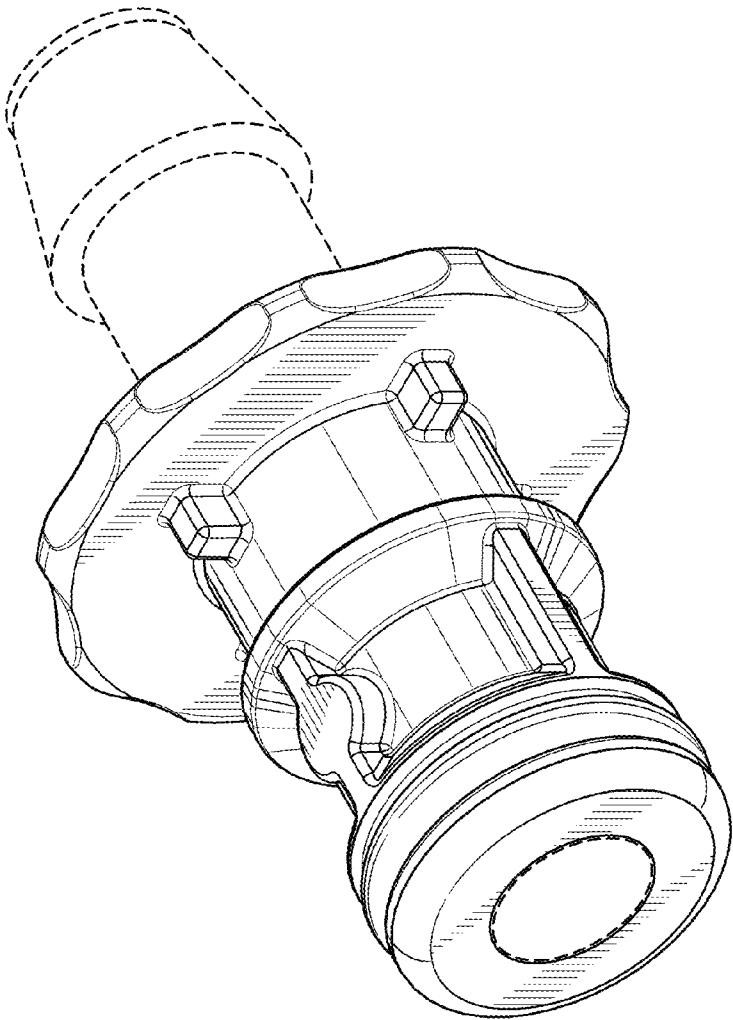


FIG. 1

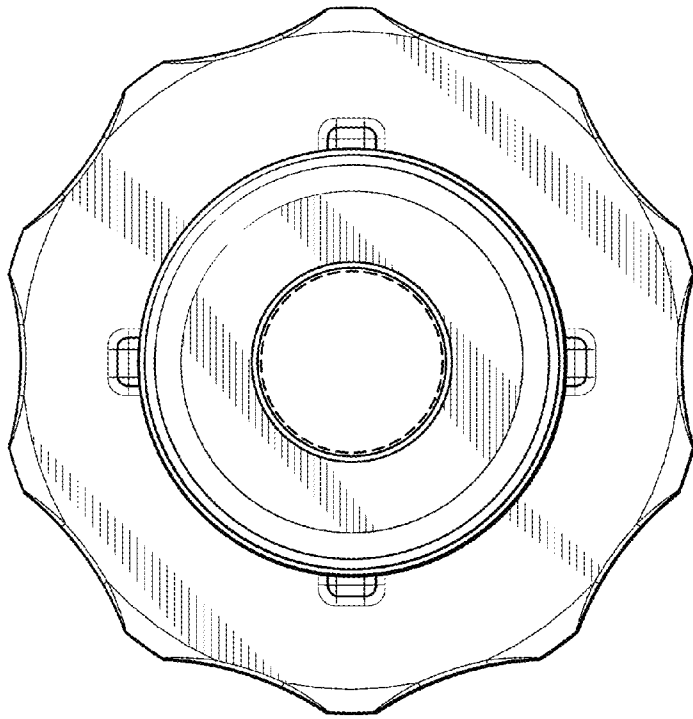


FIG. 2

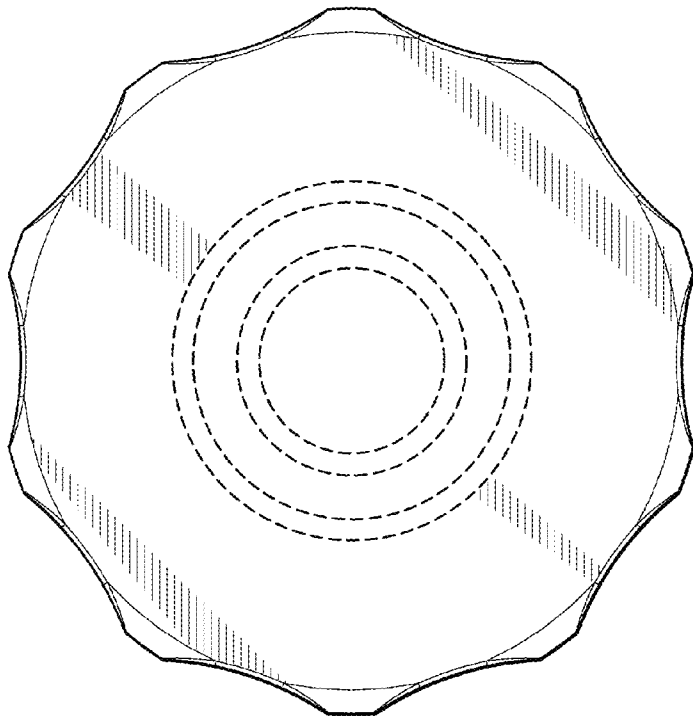


FIG. 4

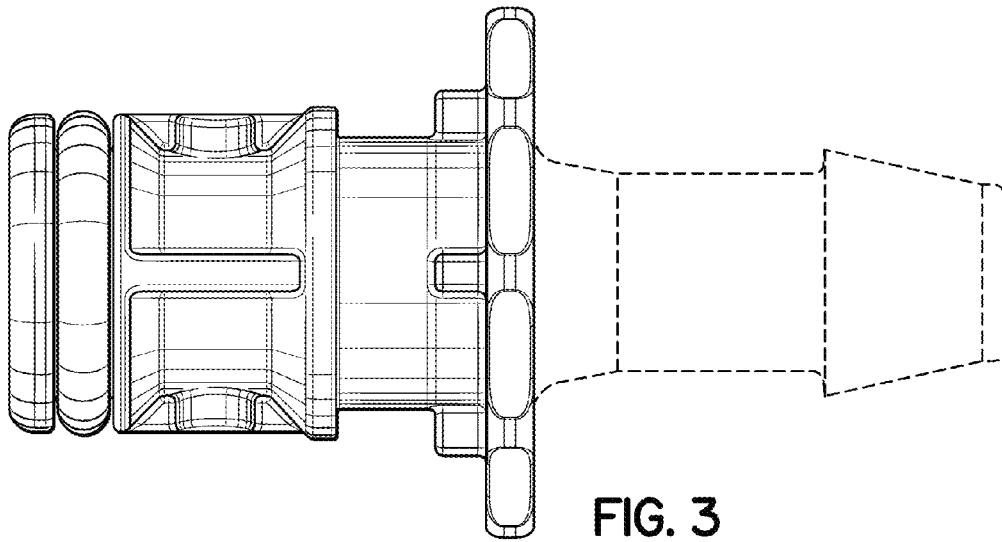


FIG. 3

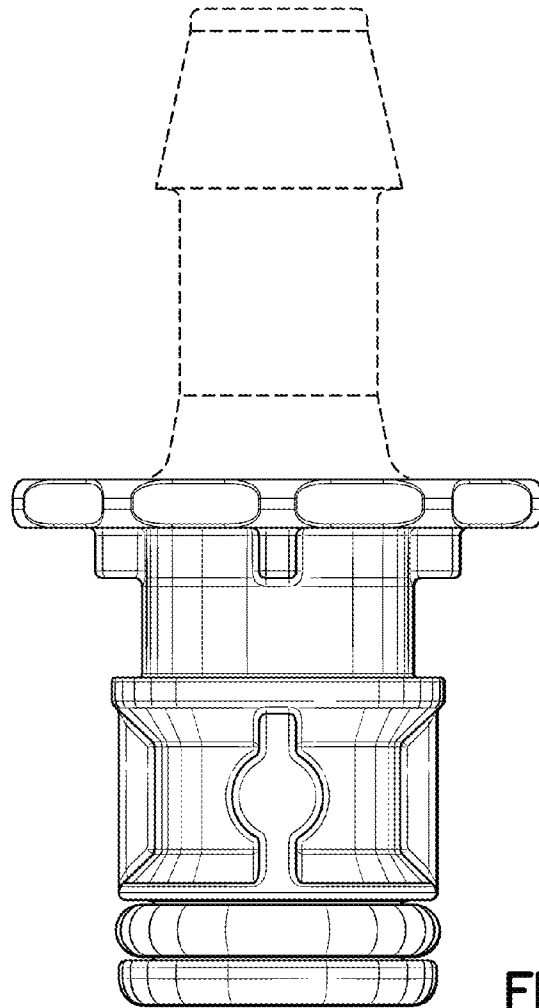


FIG. 5