



US00D801808S

(12) **United States Design Patent**
Irimia et al.

(10) **Patent No.:** **US D801,808 S**

(45) **Date of Patent:** **** Nov. 7, 2017**

(54) **CONTAINER**

(71) Applicant: **Polytainers Inc.**, Toronto (CA)

(72) Inventors: **Ileana Irimia**, Mississauga (CA);
Gabriel Fekete, Mississauga (CA);
Robert Barrett, Toronto (CA)

(73) Assignee: **Polytainers Inc.**, Toronto, Ontario

(**) Term: **15 Years**

(21) Appl. No.: **29/538,143**

(22) Filed: **Sep. 1, 2015**

D514,390	S	*	2/2006	Palder	D7/602
D518,958	S	*	4/2006	Yourist	D3/302
D547,177	S	*	7/2007	Sherman	D9/425
D547,179	S	*	7/2007	Bouveret	D9/428
D548,588	S	*	8/2007	Bouveret	D9/428
D630,898	S	*	1/2011	de Groot	D7/602
D631,298	S	*	1/2011	Samartgis	D7/602
D635,848	S	*	4/2011	Lawrence	D9/425
D639,008	S	*	5/2011	Sofy	D34/7
D650,663	S	*	12/2011	Shiffer	D9/425
D655,578	S	*	3/2012	Samartgis	D7/602
D669,778	S	*	10/2012	Houlton	D9/425
D672,612	S	*	12/2012	Stamper	D7/602
D696,907	S	*	1/2014	Everingham	D7/587
D706,131	S	*	6/2014	Brooks	D9/428
D718,983	S	*	12/2014	Yessin	D7/629
D726,071	S	*	4/2015	Aoyama	D11/155
2012/0000920	A1	*	1/2012	Anhalt	B65D 1/22 220/608

Related U.S. Application Data

(62) Division of application No. 29/493,792, filed on Jun. 13, 2014.

(51) **LOC (10) Cl.** **09-03**

(52) **U.S. Cl.**
USPC **D9/432**

(58) **Field of Classification Search**

USPC D9/414, 424-425, 430-432, 763,
D9/776-782; D7/601, 602; D34/1, 7;
D11/143, 152
CPC B65D 1/265; B65D 3/12; B65D
2543/00092; B65D 25/2814; B65D
2543/00351; B65D 85/78; A47G 19/23;
B29L 2031/7132; B29L 2031/712

See application file for complete search history.

(56) **References Cited**

U.S. PATENT DOCUMENTS

D279,252	S	*	6/1985	Daenen	D7/602
D333,196	S	*	2/1993	Dziarsk	D34/1
D371,053	S	*	6/1996	Lillelund	D7/612
D374,155	S	*	10/1996	Feer	D7/602
D439,839	S	*	4/2001	Wolf	D9/425
D473,463	S	*	4/2003	Armstrong	D9/431

* cited by examiner

Primary Examiner — Ian Simmons

Assistant Examiner — Keith Frank

(74) *Attorney, Agent, or Firm* — McMillan LLP

(57) **CLAIM**

The ornamental design for a container, as shown and described.

DESCRIPTION

FIG. 1 is a perspective view taken from the top of a container of the design;

FIG. 2 is a front elevational view of the design of FIG. 1;

FIG. 3 is a back elevational view of the design of FIG. 1;

FIG. 4 is a right elevational view of the design of FIG. 1;

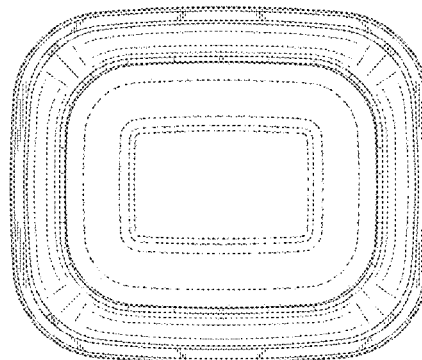
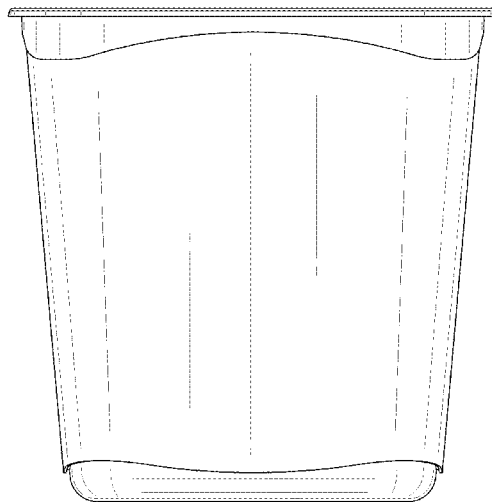
FIG. 5 is a left elevational view of the design of FIG. 1;

FIG. 6 is a top plan view of the design of FIG. 1; and,

FIG. 7 is a bottom plan view of the design of FIG. 1.

The broken lines in the drawings showing the container illustrate the portions of the container that form no part of the claimed design.

1 Claim, 7 Drawing Sheets



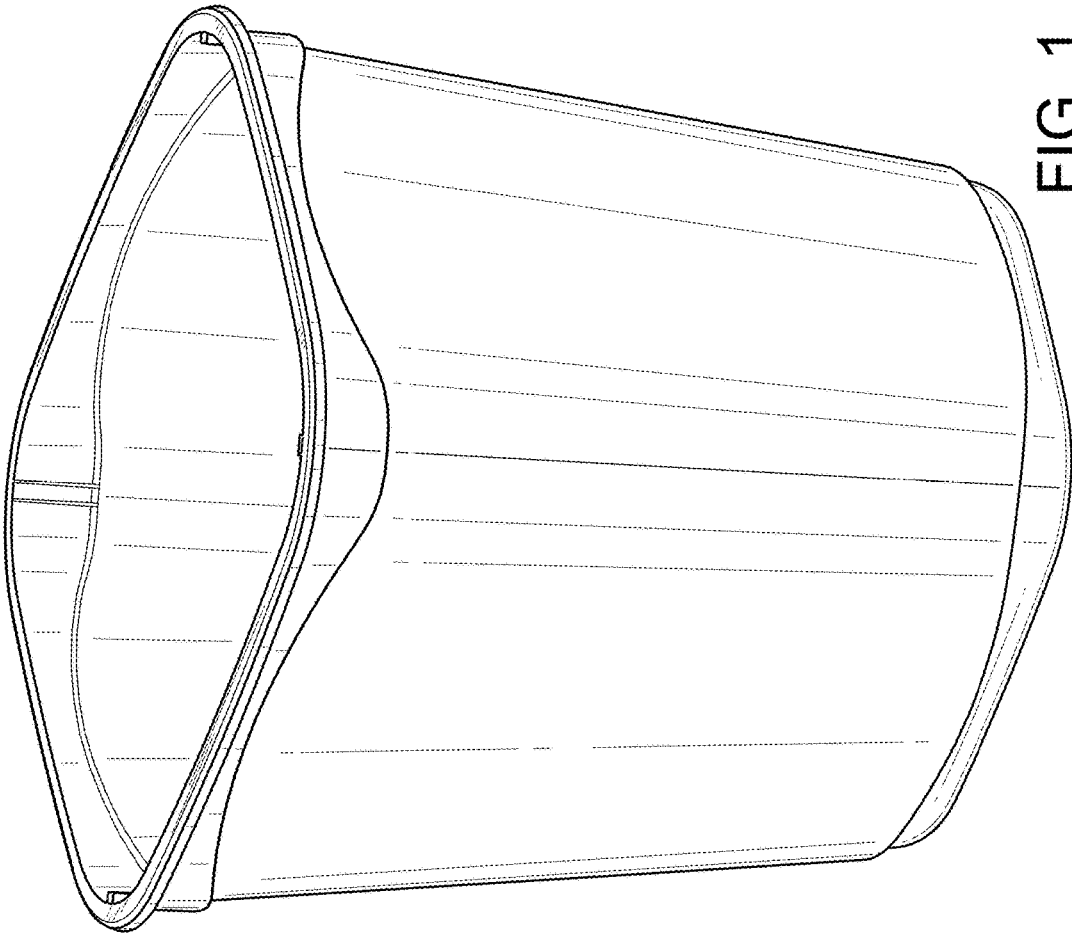


FIG. 1

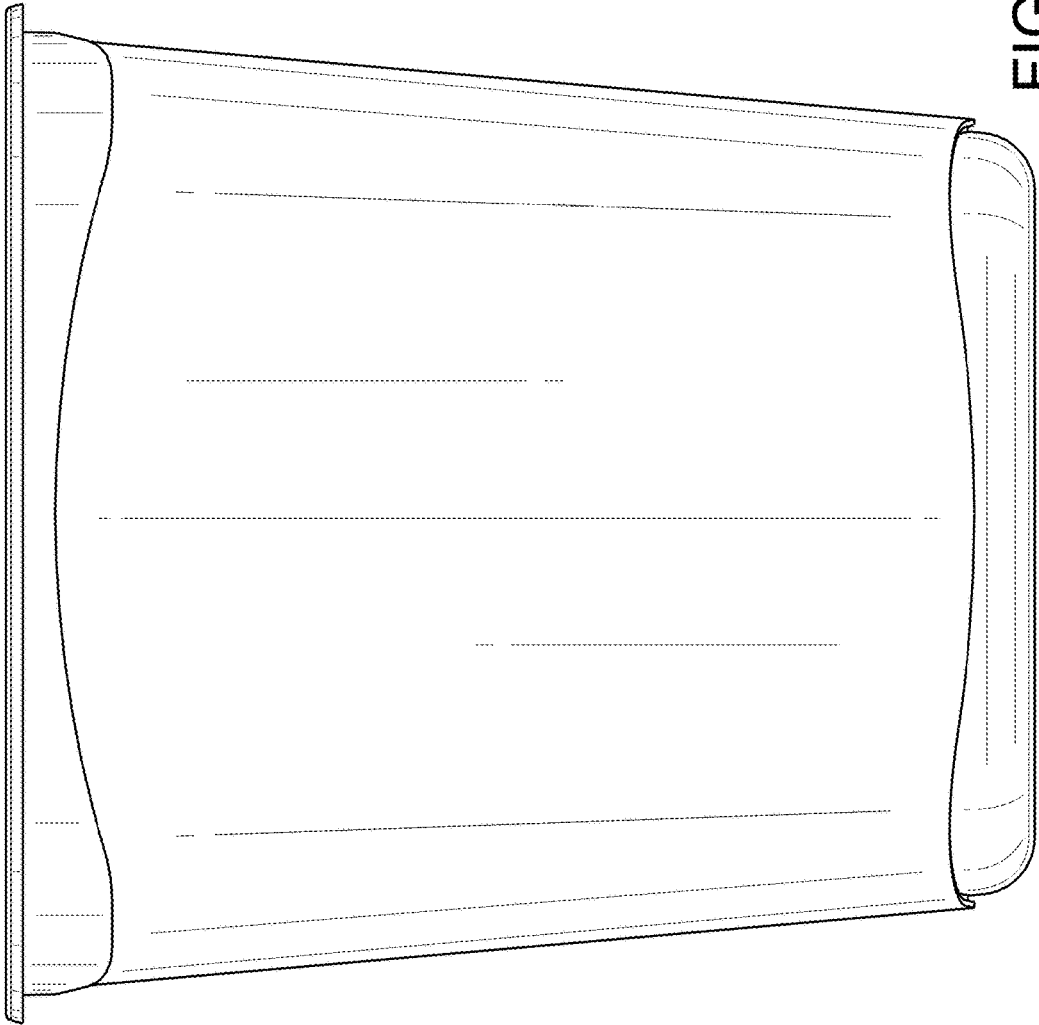


FIG. 2

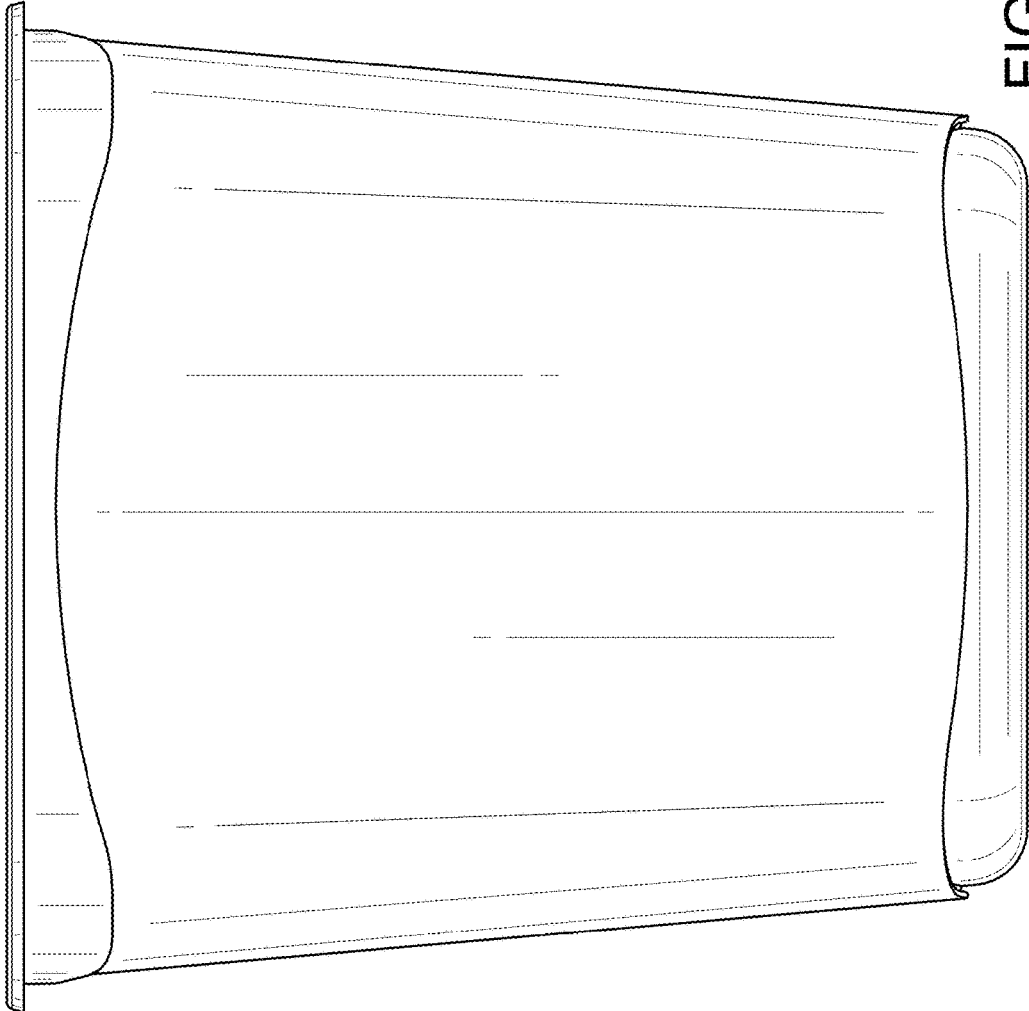


FIG. 3

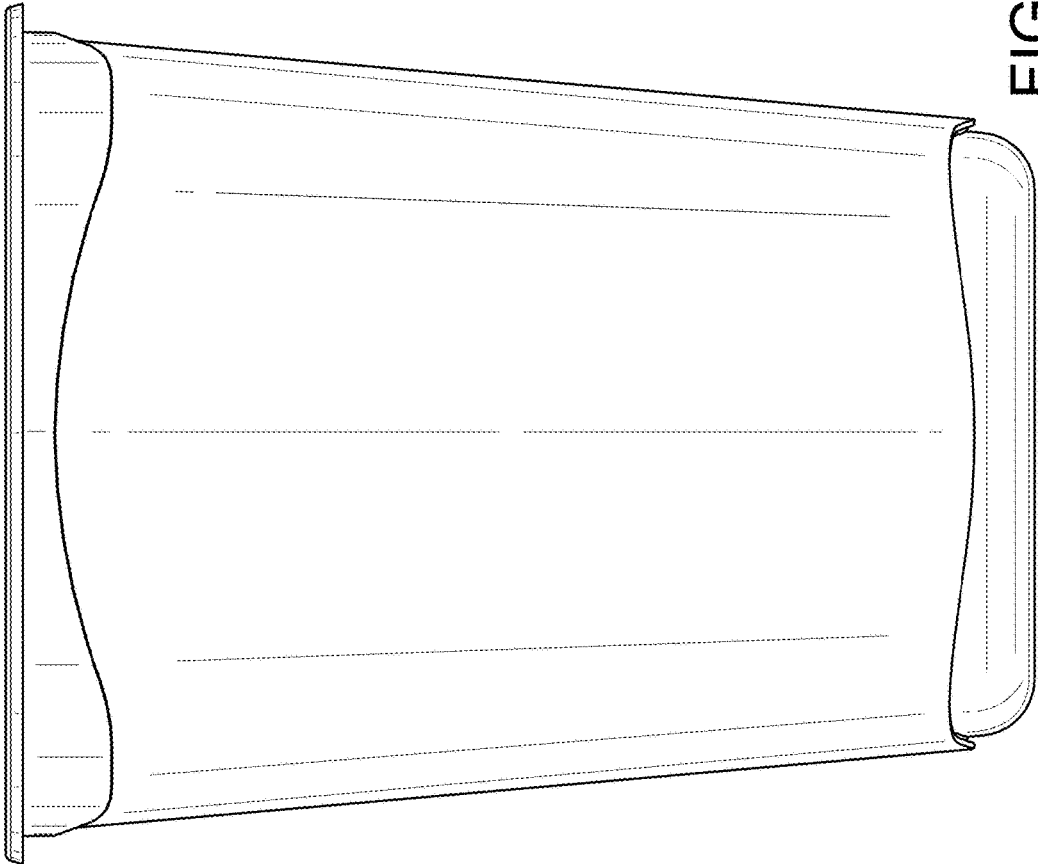


FIG. 4

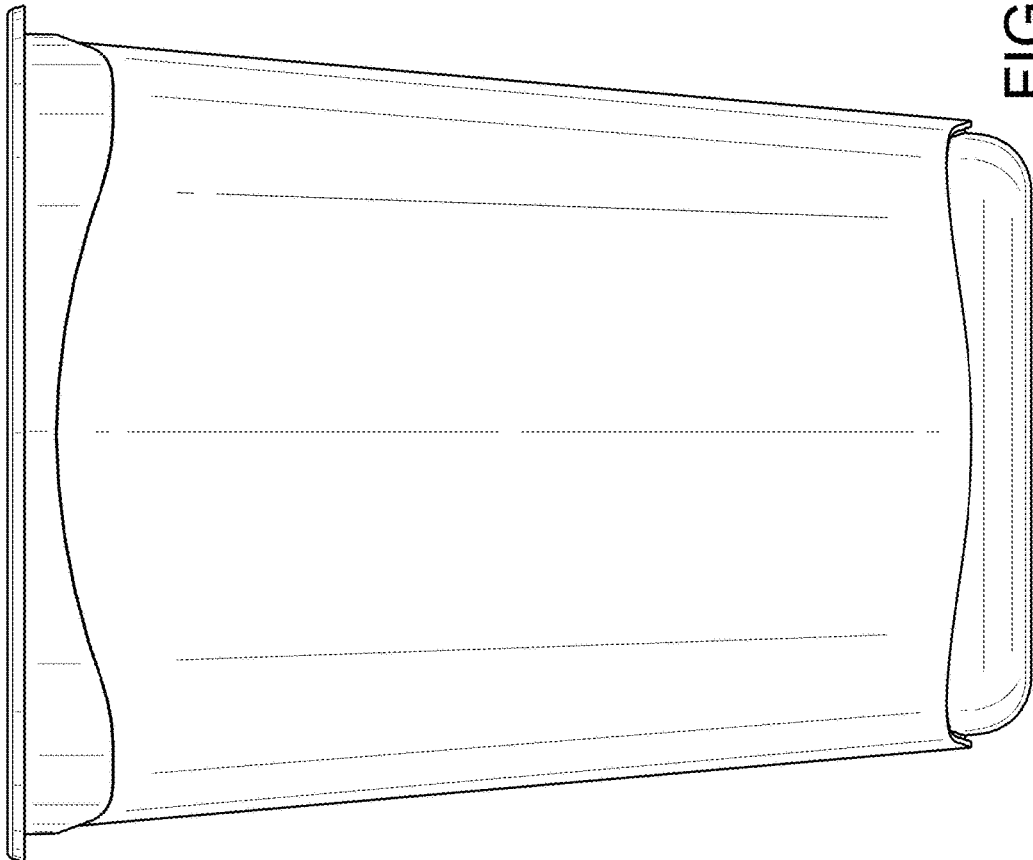


FIG. 5

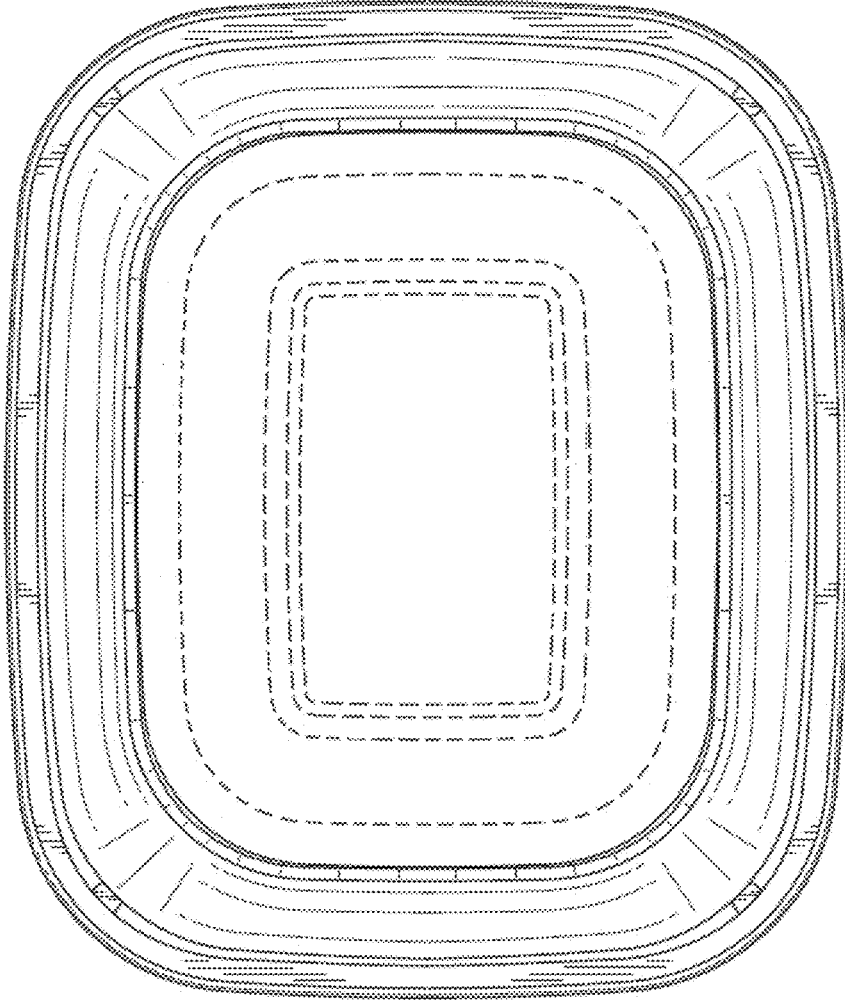


FIG. 6

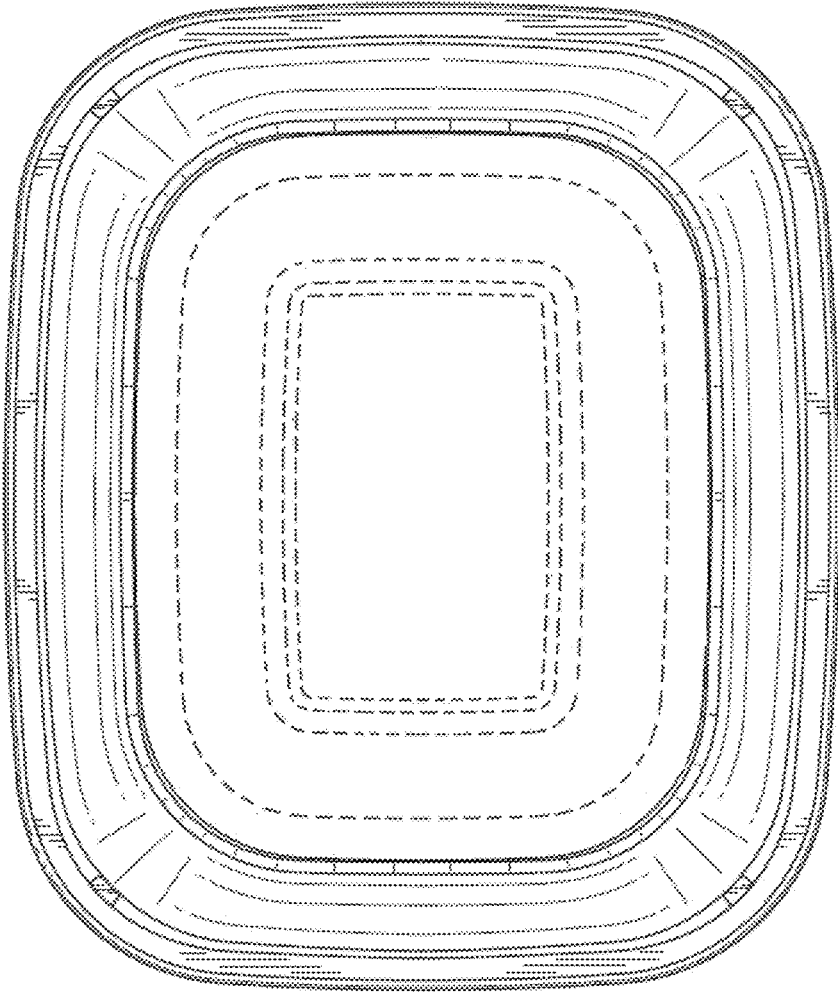


FIG. 7