



US00D744977S

(12) **United States Design Patent**
Wagner

(10) **Patent No.:** **US D744,977 S**

(45) **Date of Patent:** **** Dec. 8, 2015**

(54) **LOUDSPEAKER**

(71) Applicant: **Bang & Olufsen A/S**, Struer (DK)

(72) Inventor: **Jakob Wagner**, København Ø (DK)

(73) Assignee: **Bang & Olufsen a/s**, Struer (DK)

(**) Term: **14 Years**

(21) Appl. No.: **29/485,566**

(22) Filed: **Mar. 20, 2014**

(30) **Foreign Application Priority Data**

Sep. 20, 2013 (DK) DA 2013 00066

(51) **LOC (10) Cl.** **14-01**

(52) **U.S. Cl.**

USPC **D14/204**

(58) **Field of Classification Search**

USPC D14/143, 160-165, 176, 188, 189,
D14/196-198, 200, 203.2, 203.6, 204, 207,
D14/209.1, 215, 216, 221, 225, 227, 228,
D14/265, 299, 480.2, 508; 369/75.11,
369/75.21, 77.11, 77.21; 455/344,
455/347-351; 720/612, 619, 647, 655
CPC G06F 1/1632; G06F 1/1628; H04B 17/00;
H04R 1/02; H04R 1/021; H04R 1/288;
H04R 5/02; H04R 25/60; H04R 25/65;
H04R 25/608; H04R 2420/07; H05K 11/00

See application file for complete search history.

(56) **References Cited**

U.S. PATENT DOCUMENTS

4,083,426 A * 4/1978 Peugh 181/156
D466,887 S * 12/2002 Lewis D14/216
D487,737 S * 3/2004 Lewis D14/215
D500,998 S * 1/2005 Inoue D14/171
D514,548 S * 2/2006 Chan D14/216
D597,532 S * 8/2009 Wang D14/216
2008/0317264 A1 * 12/2008 Wynnychuk 381/150

* cited by examiner

Primary Examiner — Derrick Holland

Assistant Examiner — Janice Lim

(74) *Attorney, Agent, or Firm* — Dykema Gossett PLLC

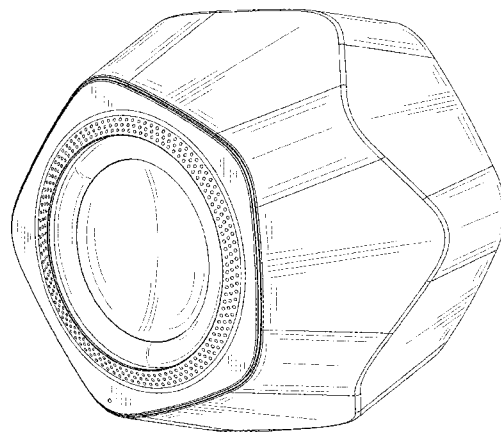
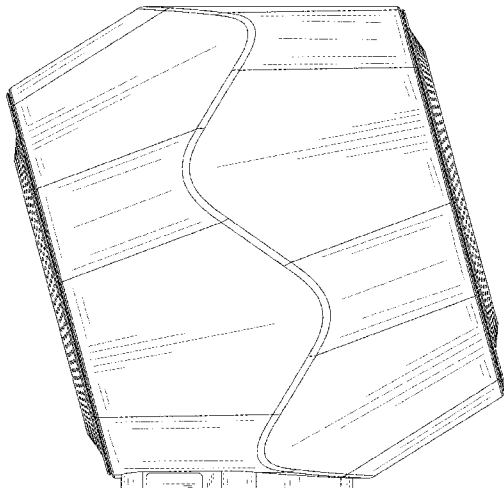
(57) **CLAIM**

The ornamental design for a loudspeaker, as shown and described.

DESCRIPTION

FIG. 1 is a front elevation view of a loudspeaker showing my new design;
FIG. 2 is a right side elevation view of FIG. 1, wherein the left side elevation view is a mirror image thereof;
FIG. 3 is a rear elevation view of FIG. 1;
FIG. 4 is a top plan view of FIG. 1;
FIG. 5 is a bottom plan view of FIG. 1;
FIG. 6 is a front, top, and side perspective view of FIG. 1; and,
FIG. 7 is a rear, top, and side perspective view of FIG. 1.

1 Claim, 7 Drawing Sheets



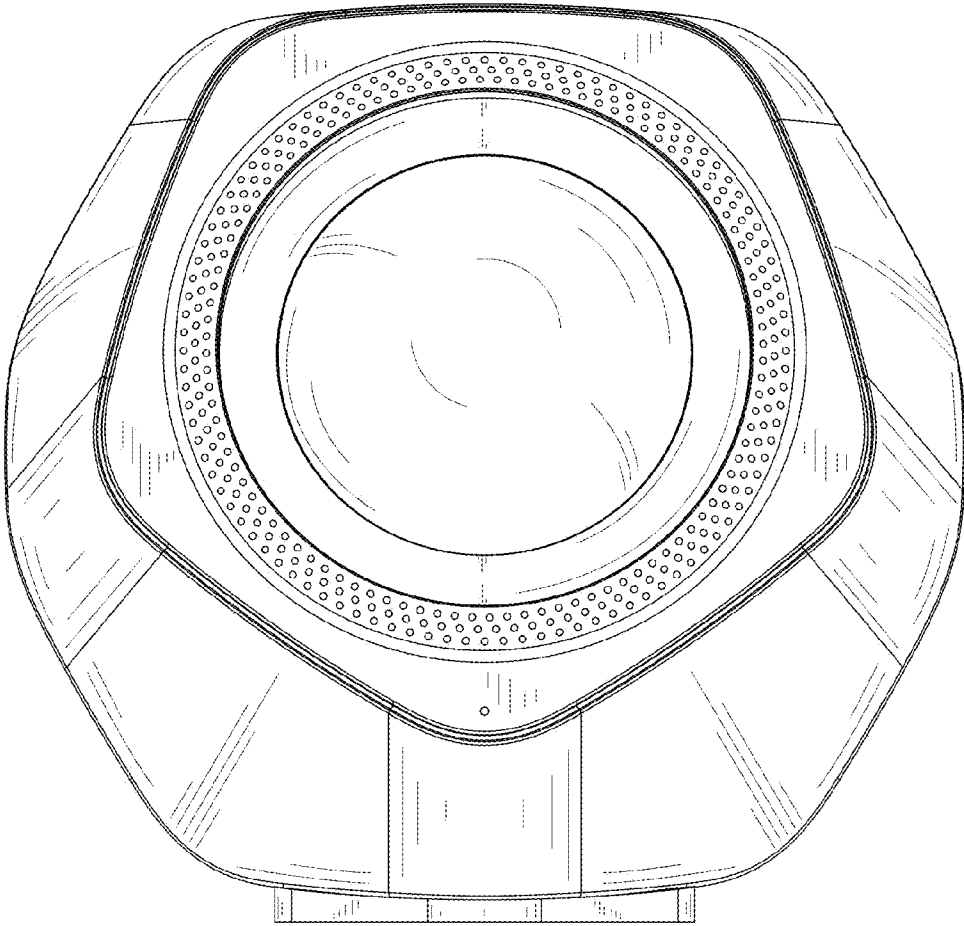


FIG. 1

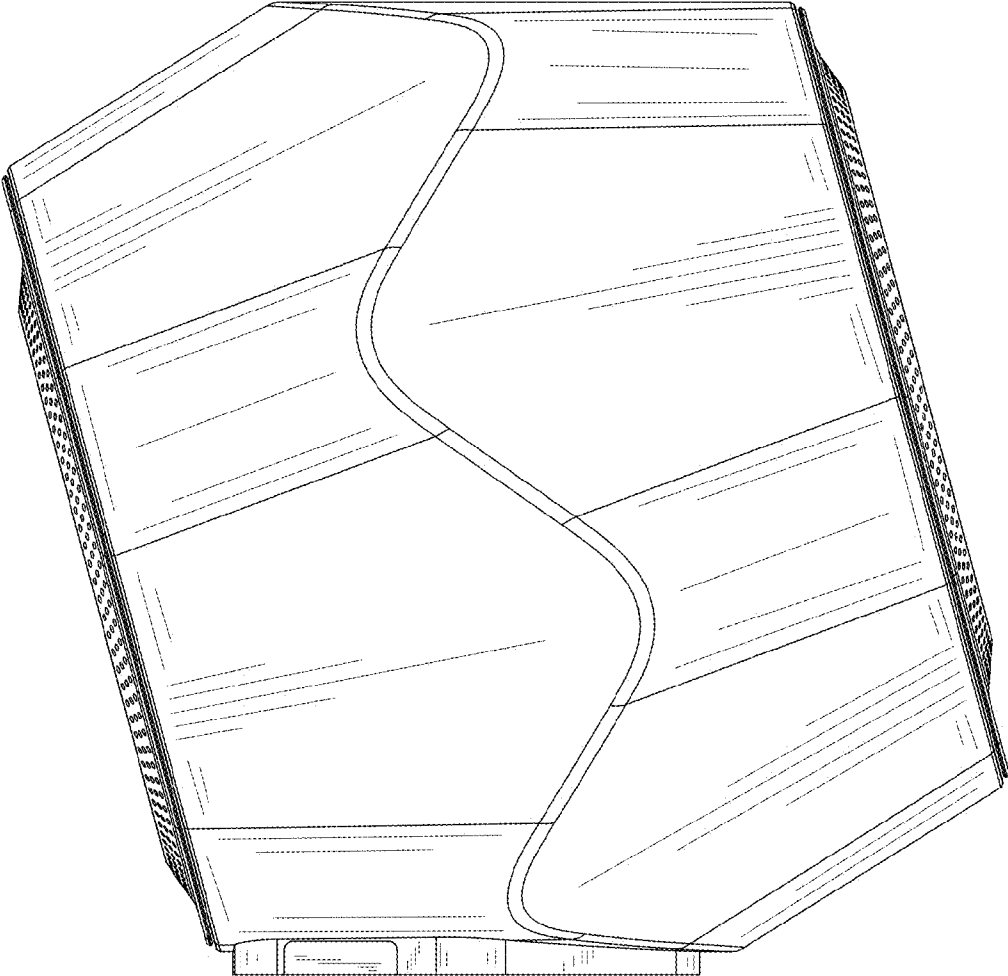


FIG. 2

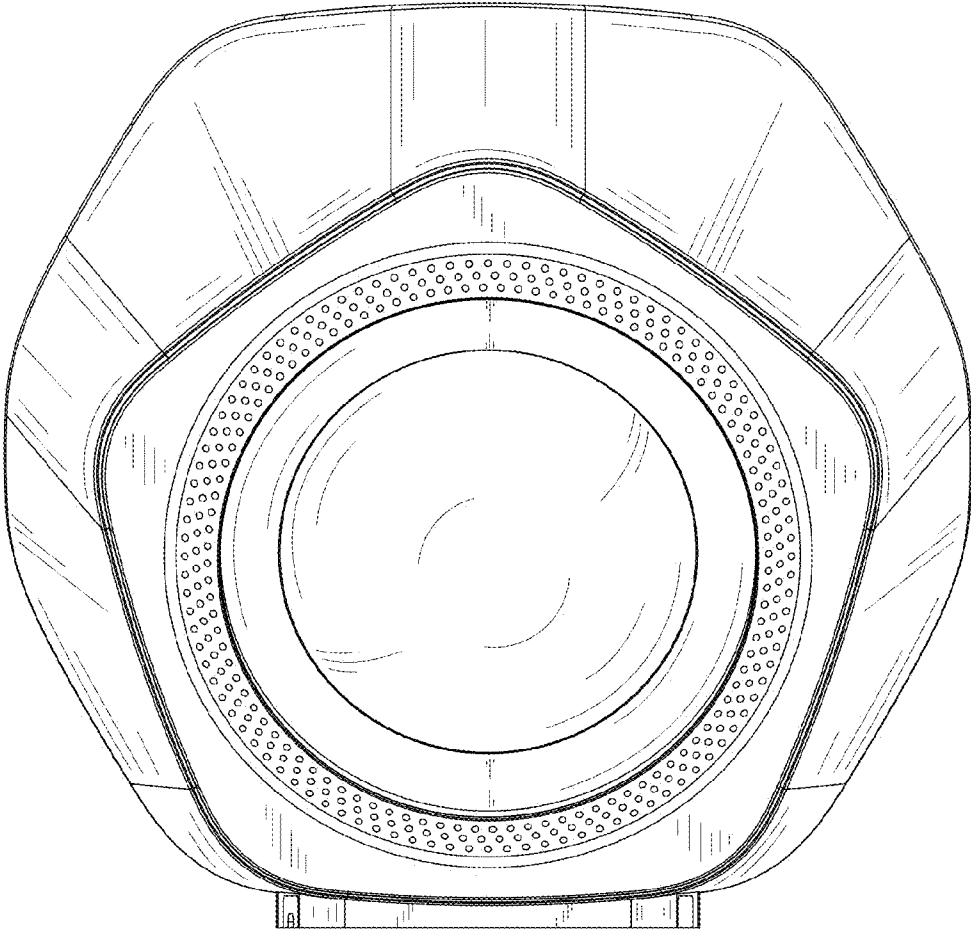


FIG. 3

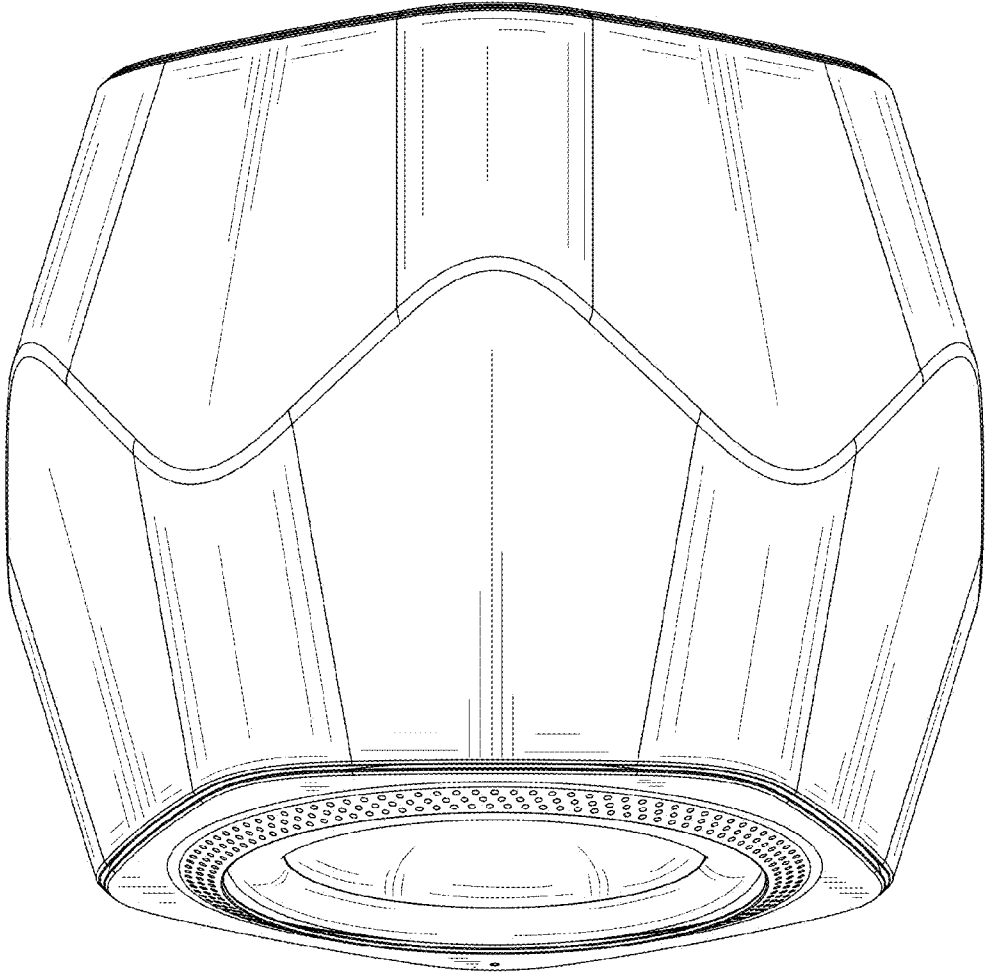


FIG. 4

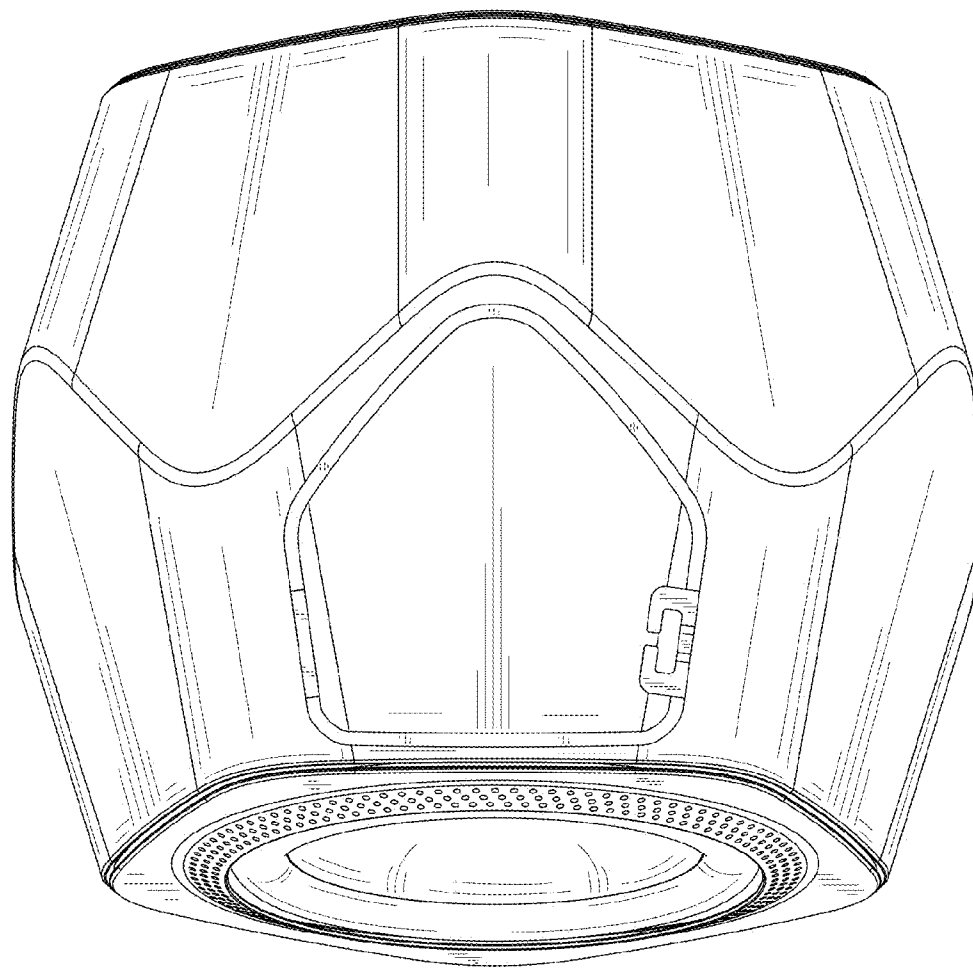


FIG. 5

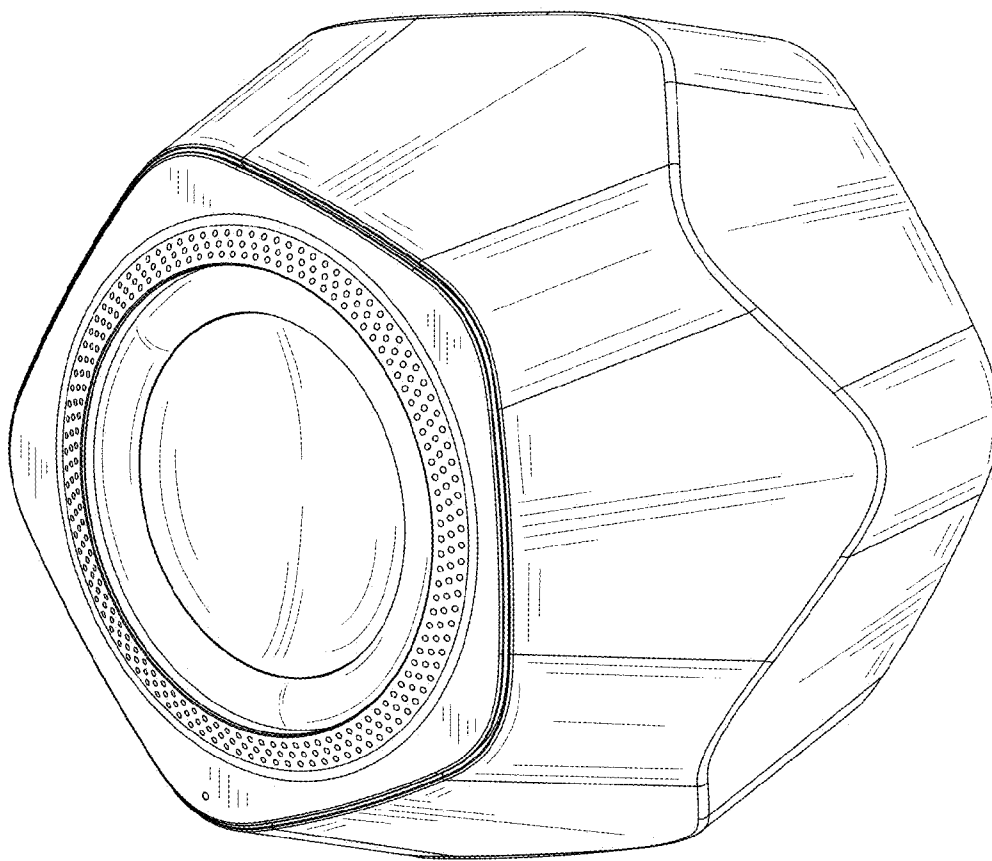


FIG. 6

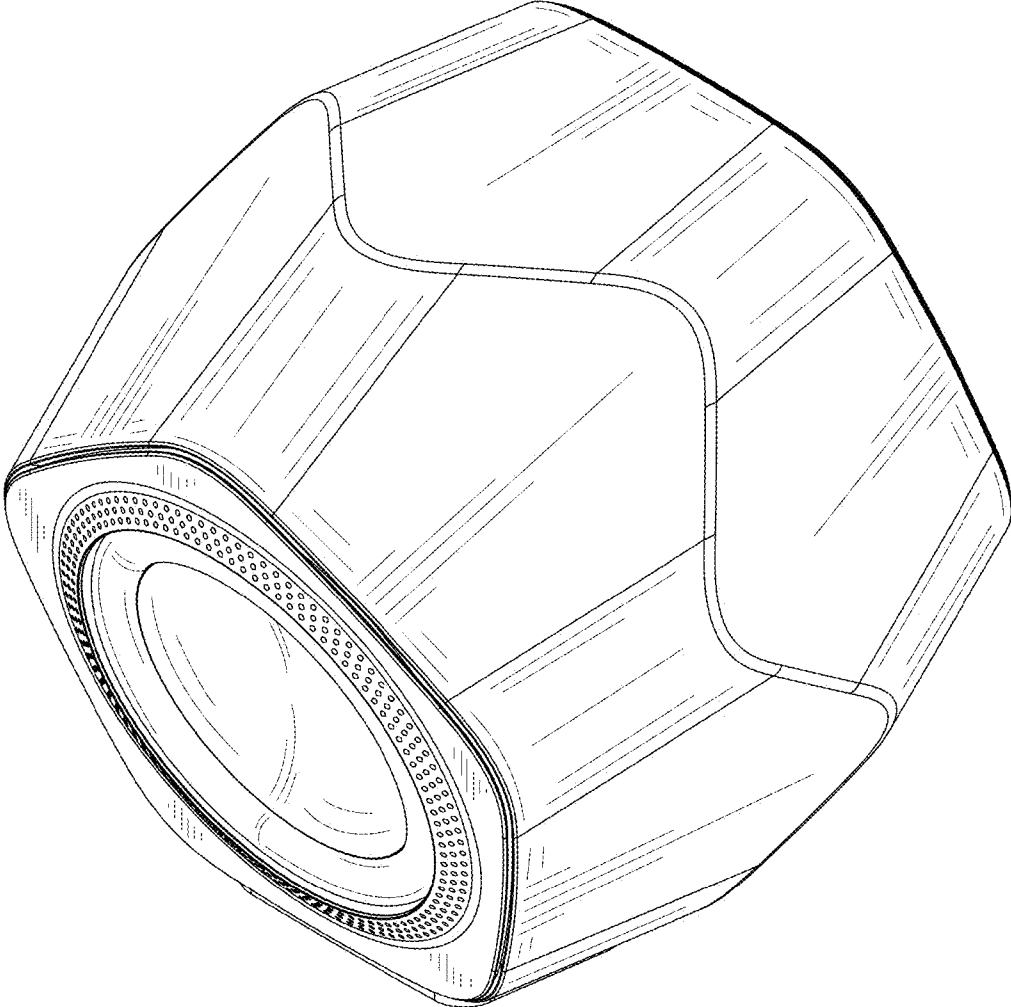


FIG. 7