



US00D459044S

(12) **United States Design Patent**  
**Felsenthal**

(10) **Patent No.:** **US D459,044 S**

(45) **Date of Patent:** **\*\* Jun. 18, 2002**

(54) **LAUNDRY CENTER WITH AN IRONING BOARD**

5,924,581 A \* 7/1999 Chen ..... 211/187  
5,967,342 A \* 10/1999 Steffine ..... 211/85.24

(76) Inventor: **Sandy Alan Felsenthal**, 5428  
Collingwood Cove, Memphis, TN (US)  
38120

\* cited by examiner

(\*\*) Term: **14 Years**

*Primary Examiner*—Alan P. Douglas  
*Assistant Examiner*—Lavone Tabor  
(74) *Attorney, Agent, or Firm*—Breneman & Georges;  
William D. Breneman; Peter J. Georges

(21) Appl. No.: **29/143,718**

(57) **CLAIM**

(22) Filed: **Jun. 20, 2001**

The ornamental design for a laundry center with an ironing board, as shown and described.

(51) **LOC (7) Cl.** ..... **07-05**

(52) **U.S. Cl.** ..... **D32/66; D6/397; D34/21**

(58) **Field of Search** ..... D6/397, 411, 414,  
D6/465; D34/17, 20–21; D32/35, 37, 66;  
38/104, 106, 137, 139; 108/31, 48, 63,  
99; 211/85.24, 96, 168, 186, 187, 204,  
206; 280/47.35, 79.3

**DESCRIPTION**

FIG. 1 is a front right top perspective view of a laundry center with an ironing board showing my new design;  
FIG. 2 is a right side view thereof;  
FIG. 3 is a rear view thereof;  
FIG. 4 is a front view thereof;  
FIG. 5 is a top plan view thereof; and,  
FIG. 6 is a bottom plan view thereof.

(56) **References Cited**

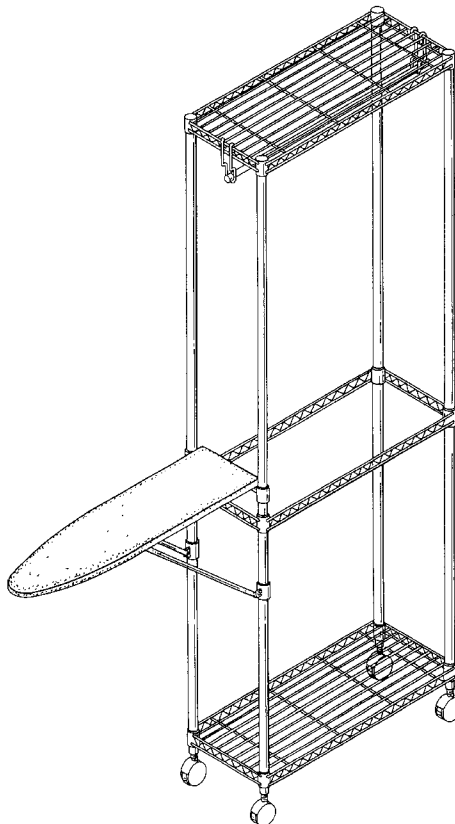
**U.S. PATENT DOCUMENTS**

1,057,650 A \* 4/1913 McDevitt ..... 108/31  
2,589,269 A \* 3/1952 Magnuson et al. .... 211/206  
3,640,230 A \* 2/1972 Munson ..... 108/63  
4,637,323 A \* 1/1987 Nicely ..... 211/187 X  
4,986,555 A \* 1/1991 Andreen ..... 280/47.35  
D315,068 S \* 3/1991 Miller ..... D6/397  
5,294,009 A \* 3/1994 Maurer et al. .... 38/106 X

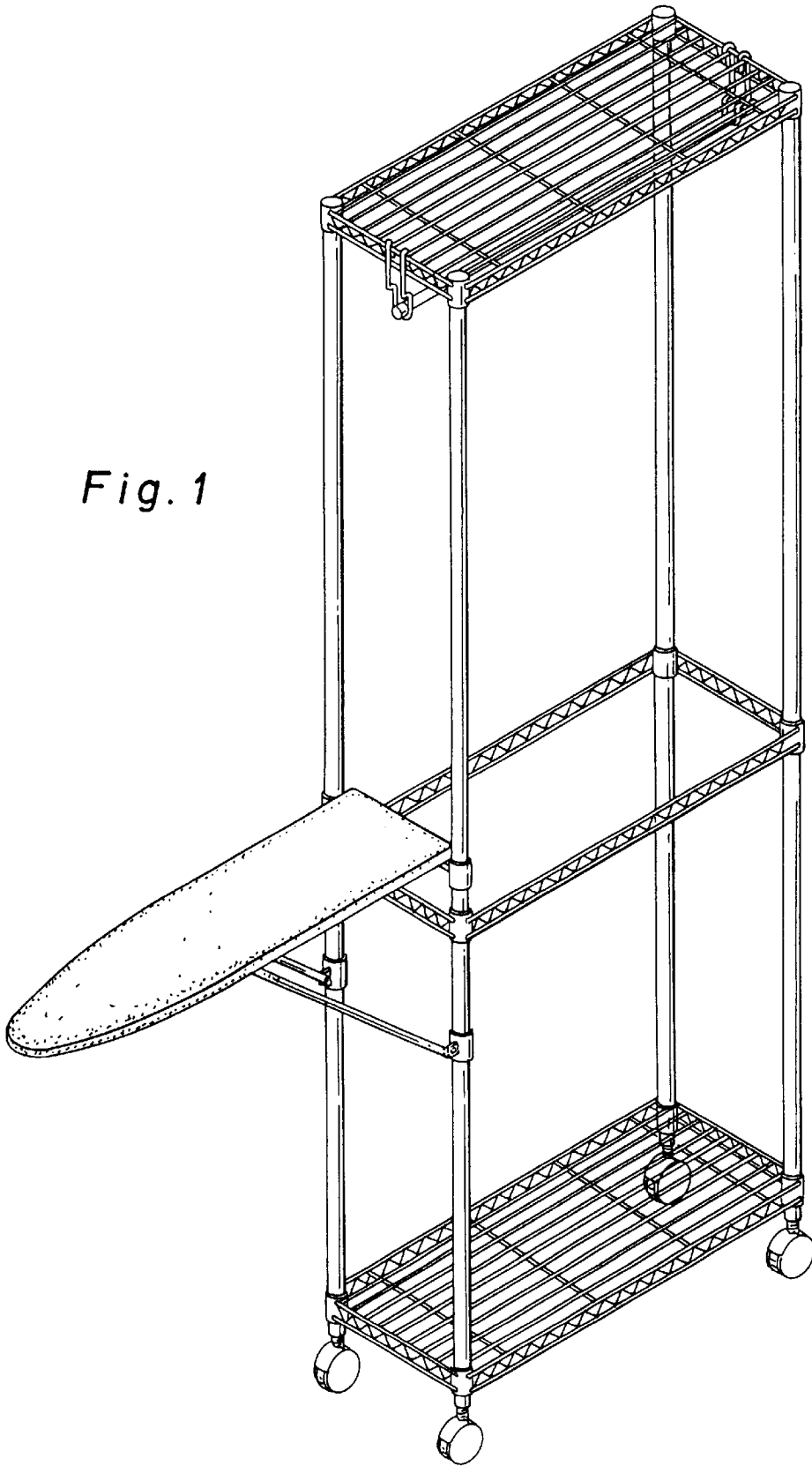
The left side view is not shown because it is a mirror image of the right side view shown in FIG. 2.

The broken line structures shown in FIGS. 2–4 and 6, are for illustrative purposes only and form no part of the claimed design.

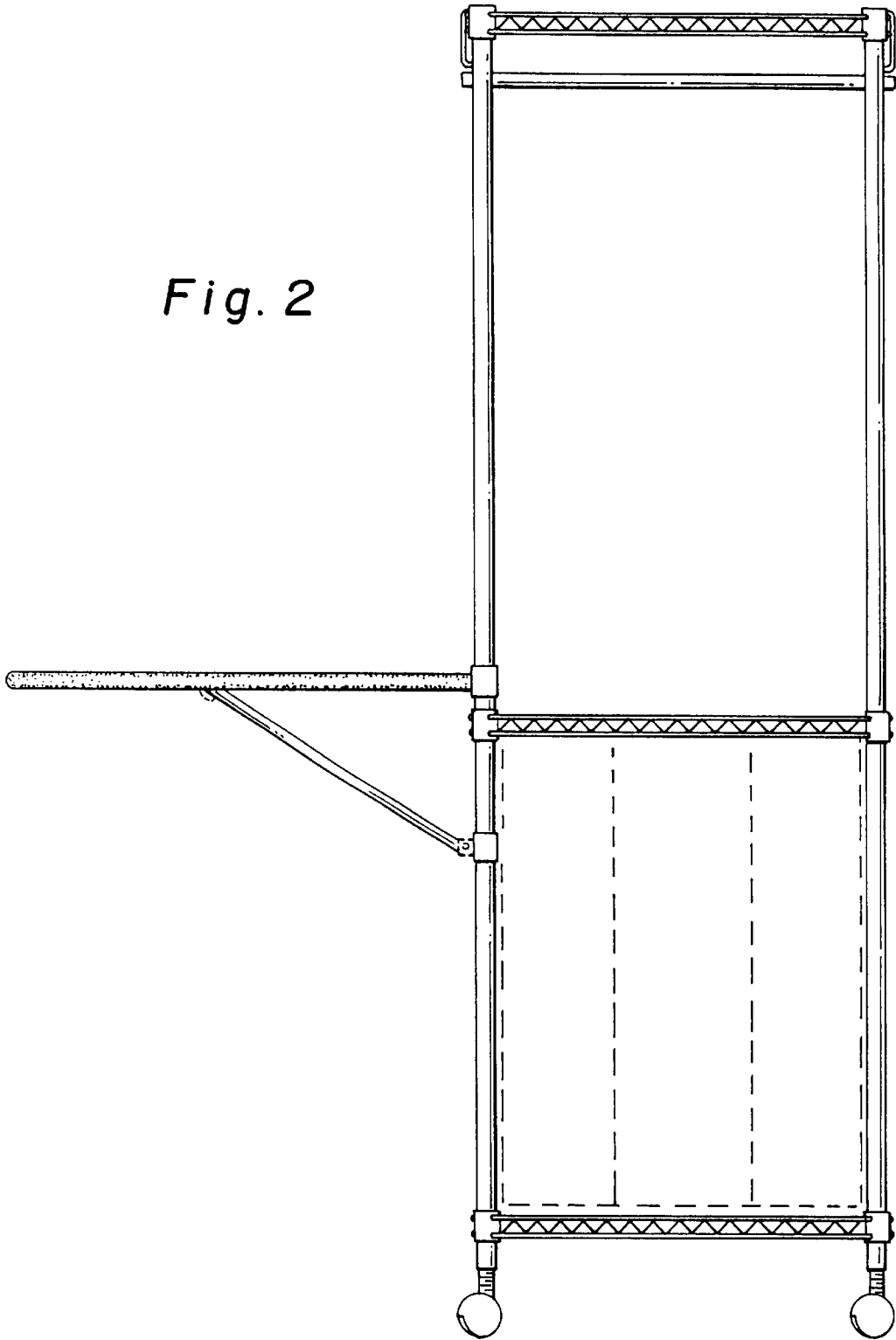
**1 Claim, 5 Drawing Sheets**



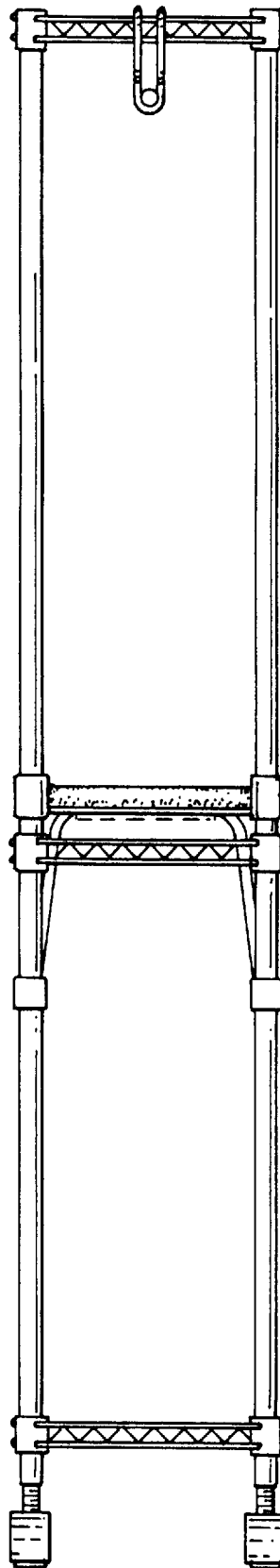
*Fig. 1*



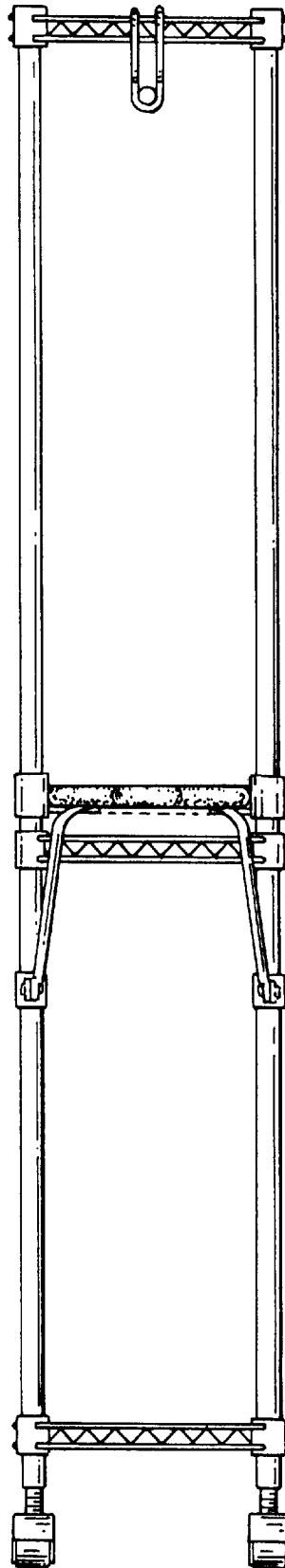
*Fig. 2*

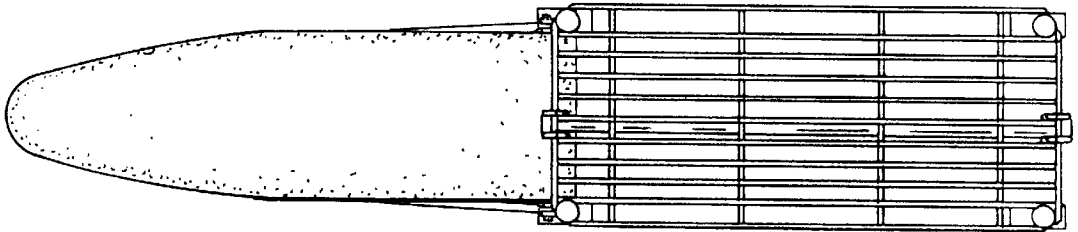


*Fig. 3*

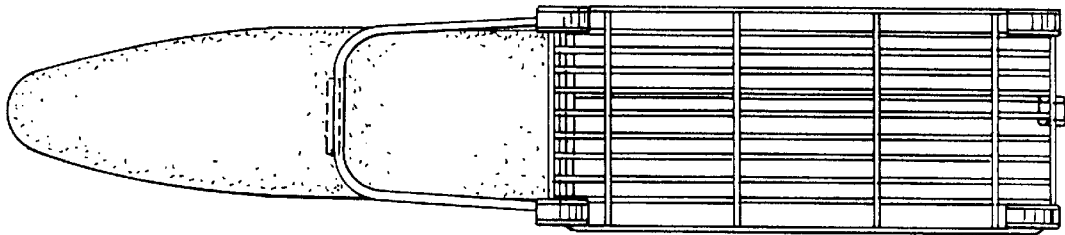


*Fig. 4*





*Fig. 5*



*Fig. 6*