



US00D931941S

(12) **United States Design Patent** (10) **Patent No.:** **US D931,941 S**  
**Legras et al.** (45) **Date of Patent:** **\*\* Sep. 28, 2021**

(54) **GAMING MACHINE**

(71) Applicant: **IGT, Las Vegas, NV (US)**

(72) Inventors: **Jean-Pierre Legras, Carson City, NV (US); Charles Johnson, Reno, NV (US)**

(73) Assignee: **IGT, Las Vegas, NV (US)**

(\*\*) Term: **15 Years**

(21) Appl. No.: **29/708,589**

(22) Filed: **Oct. 8, 2019**

(51) **LOC (13) Cl.** ..... **21-03**

(52) **U.S. Cl.**  
USPC ..... **D21/370**

(58) **Field of Classification Search**  
USPC ..... D21/329, 332, 333, 365, 385, 694, 371,  
D21/325, 324, 336, 369; D6/300, 301,  
D6/302, 308, 332, 650, 650.1, 668, 670,  
D6/691.3, 703.1, 705.1  
CPC ..... A63F 59/04  
See application file for complete search history.

(56) **References Cited**

**U.S. PATENT DOCUMENTS**

D268,583 S *	4/1983	Whaley	.....	D14/305
5,813,914 A	9/1998	McKay et al.		
D450,094 S	11/2001	Hedrick et al.		
D456,046 S	4/2002	Hedrick et al.		
D456,457 S	4/2002	Hedrick et al.		
D456,855 S	5/2002	Hedrick et al.		
6,474,758 B1	11/2002	Hedrick et al.		
D509,256 S	9/2005	Pierce		
6,997,810 B2 *	2/2006	Cole	.....	G07F 17/32 463/36
D539,854 S	4/2007	Luciano et al.		
7,267,613 B2	9/2007	Cole		

D569,919 S	5/2008	Zielinski		
D573,200 S *	7/2008	Hashimoto	.....	D21/370
D599,858 S	9/2009	Lesley et al.		
D605,231 S *	12/2009	Hashimoto	.....	D21/325
D616,039 S *	5/2010	Bruzzese	.....	D21/370
D619,659 S *	7/2010	Damani	.....	D21/325
D622,323 S *	8/2010	De Viveiros Ortiz	.....	D21/325
D622,781 S *	8/2010	Lesley	.....	D21/369
D626,183 S *	10/2010	Cole	.....	D21/370
D626,603 S *	11/2010	Bruzzese	.....	D21/370
8,191,936 B2	6/2012	Cole et al.		
8,216,065 B2	7/2012	Kaminkow et al.		
D673,619 S	1/2013	Seelig		
D674,023 S	1/2013	Seelig		

(Continued)

*Primary Examiner* — Khawaja Anwar

*Assistant Examiner* — Julice Seung Eun Oum

(74) *Attorney, Agent, or Firm* — Neal, Gerber & Eisenberg LLP

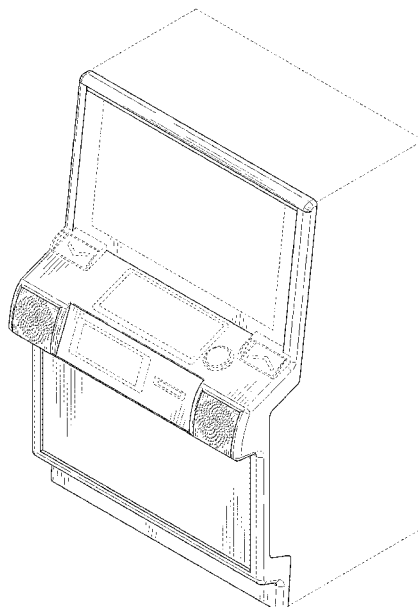
(57) **CLAIM**

The ornamental design for a gaming machine, as shown and described herein.

**DESCRIPTION**

FIG. 1 is a first front perspective view of a gaming machine of our new design.  
FIG. 2 is a second front perspective view of the gaming machine of FIG. 1.  
FIG. 3 is a front view of the gaming machine of FIG. 1.  
FIG. 4 is a rear view of the gaming machine of FIG. 1.  
FIG. 5 is a right side view of the gaming machine of FIG. 1.  
FIG. 6 is a left side view of the gaming machine of FIG. 1.  
FIG. 7 is a top view of the gaming machine of FIG. 1; and, FIG. 8 is a bottom view of the gaming machine of FIG. 1.  
The broken lines shown on the gaming machine form no part of the claimed design.

**1 Claim, 8 Drawing Sheets**



(56)

**References Cited**

U.S. PATENT DOCUMENTS

D677,736	S *	3/2013	Dorn .....	D21/370
D684,216	S	6/2013	Terpstra et al.	
D685,435	S *	7/2013	Hohman .....	D21/370
8,529,341	B2 *	9/2013	Griswold .....	G07F 17/3211 463/29
D697,558	S *	1/2014	Myers .....	D21/325
D721,767	S	1/2015	Ferrazoli	
D730,993	S *	6/2015	Castro .....	D21/385
D787,605	S *	5/2017	Bushnell .....	D21/325
D852,890	S *	7/2019	Ross .....	D21/370
D854,621	S *	7/2019	Calhoun .....	D21/369
D893,632	S *	8/2020	McGahn .....	D21/369
2003/0224858	A1 *	12/2003	Yoseloff .....	G07F 17/32 463/43
2006/0281559	A1 *	12/2006	Luciano .....	G07F 17/32 463/46
2007/0238518	A1	10/2007	Osawa	
2009/0233681	A1	9/2009	Tsukahara	

\* cited by examiner

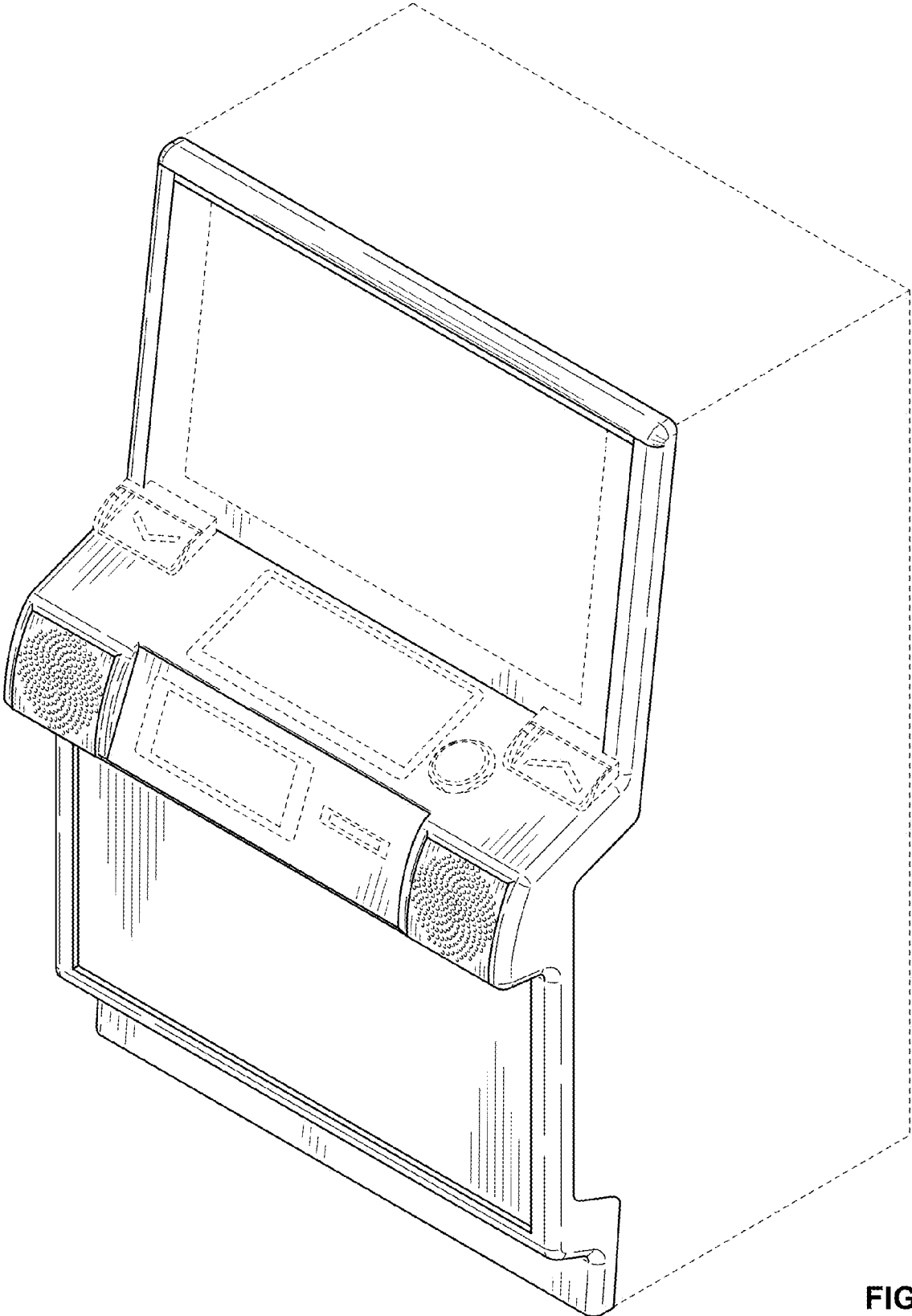


FIG. 1

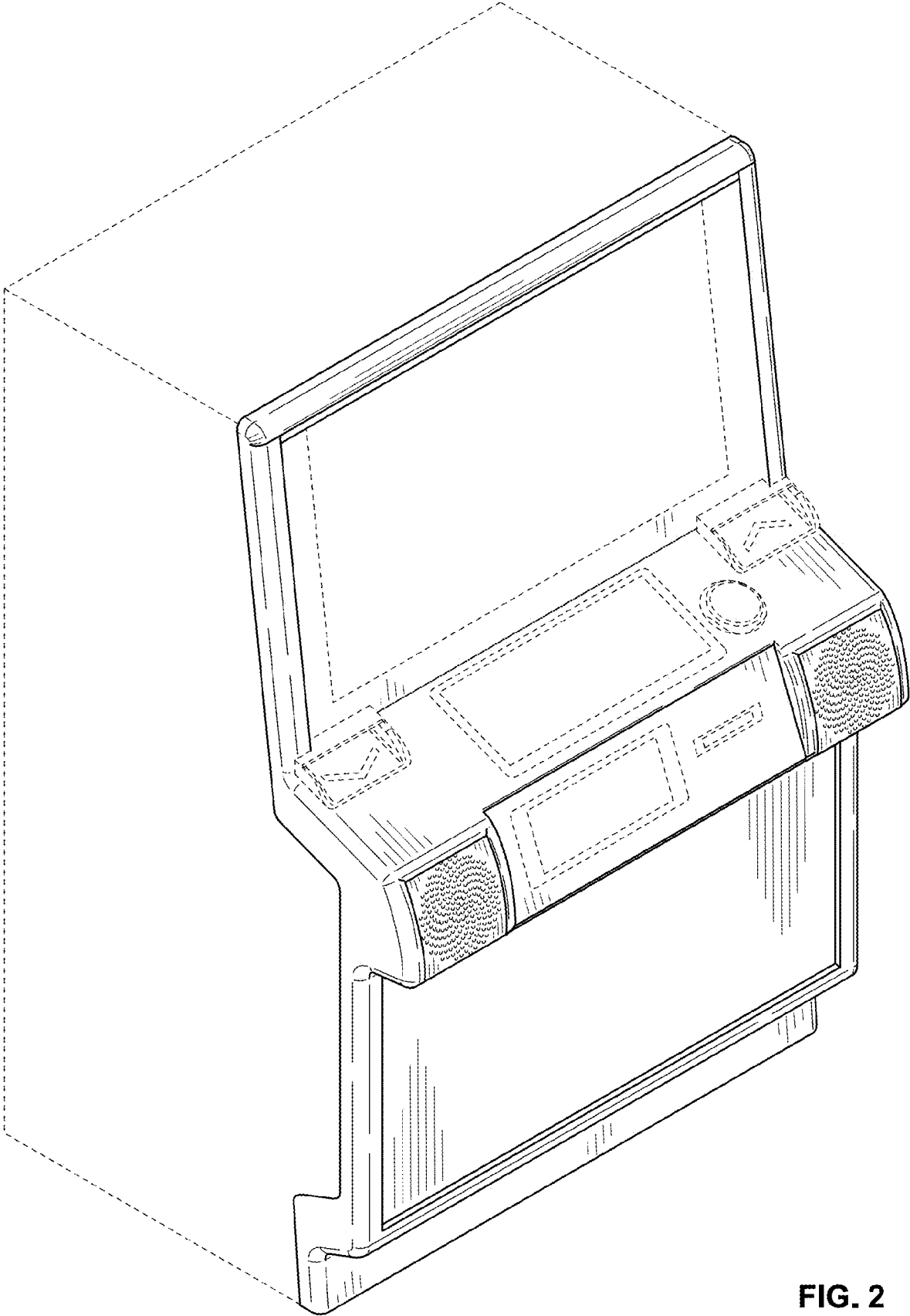


FIG. 2

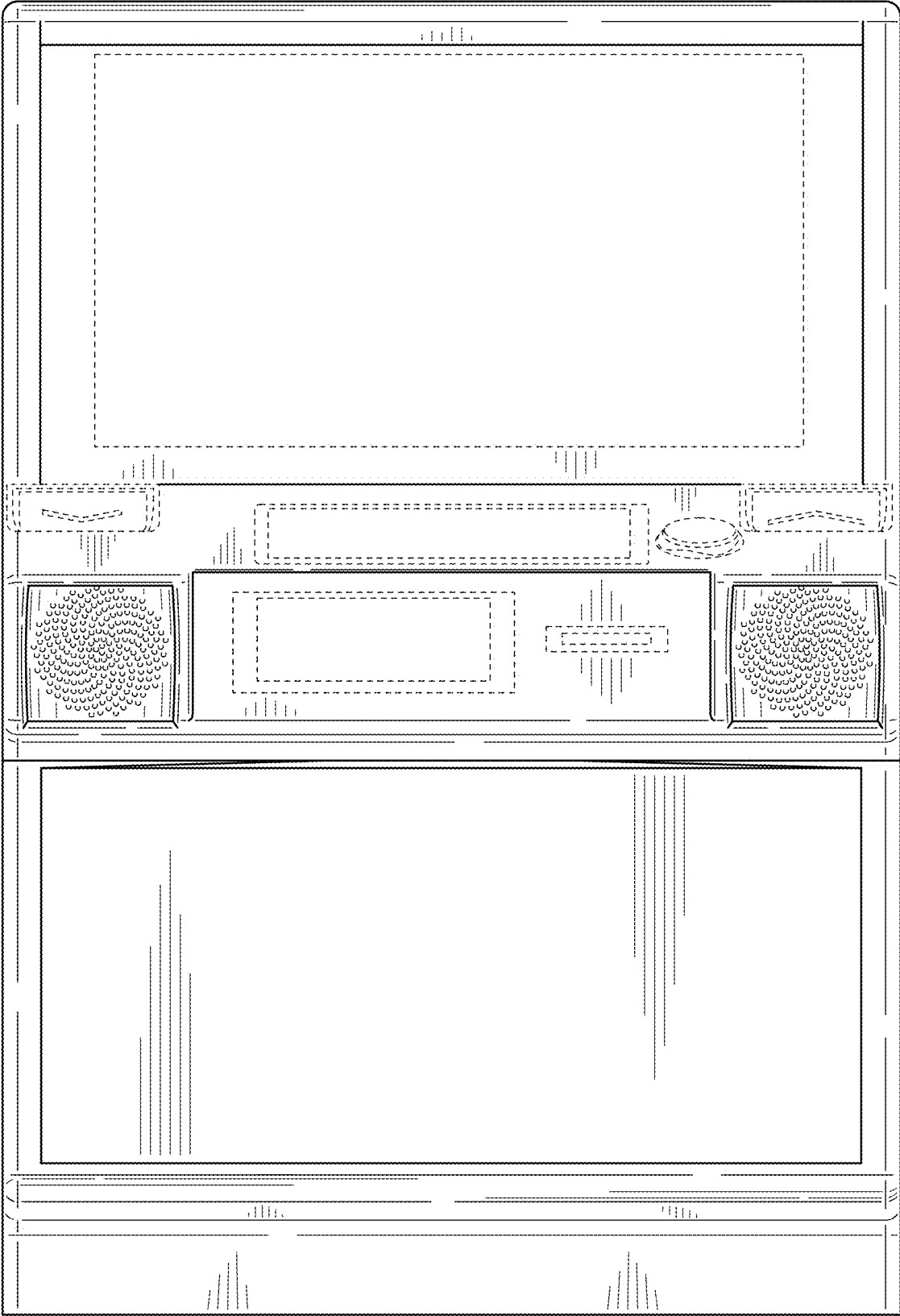
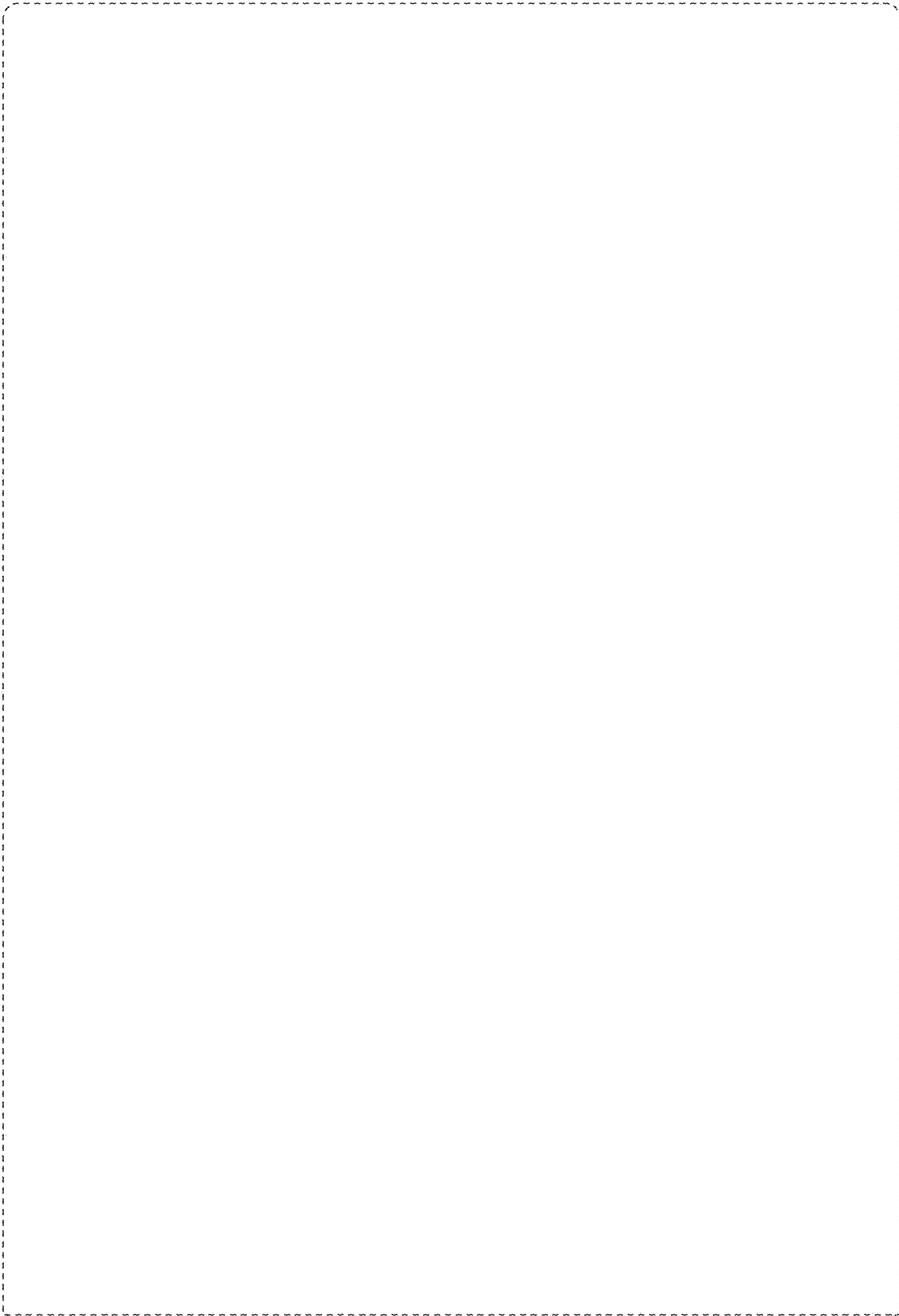


FIG. 3



**FIG. 4**

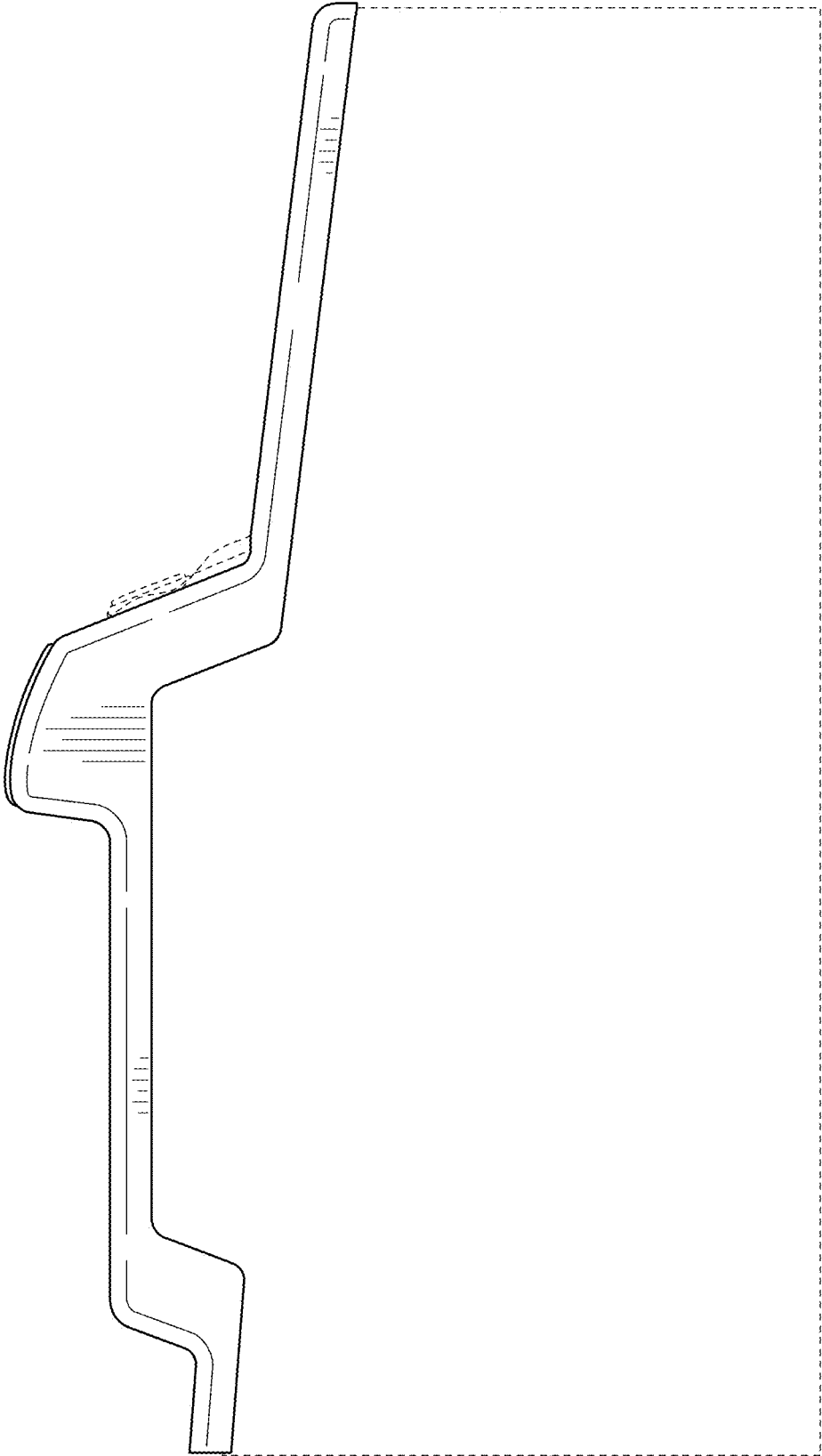


FIG. 5

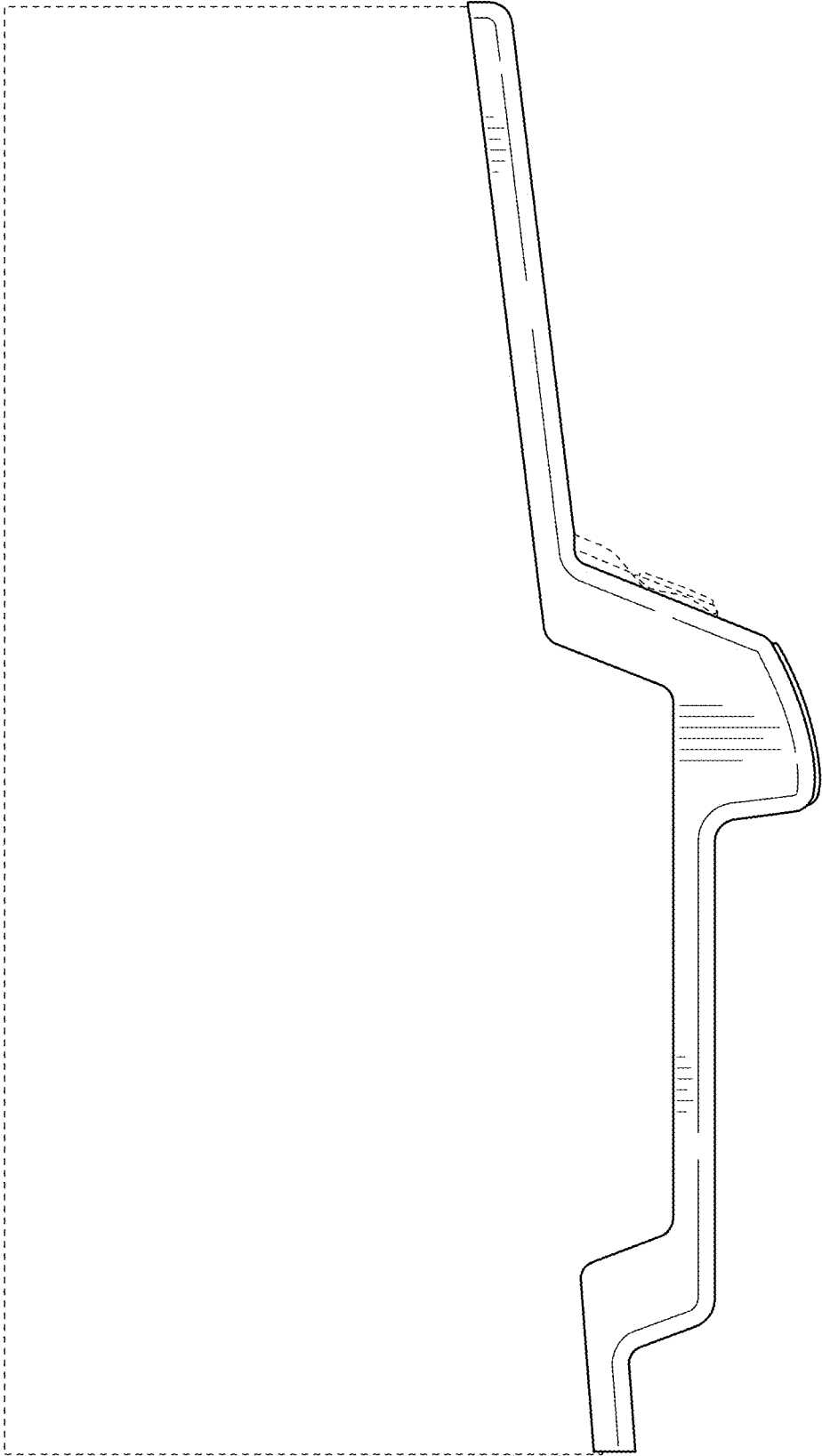


FIG. 6



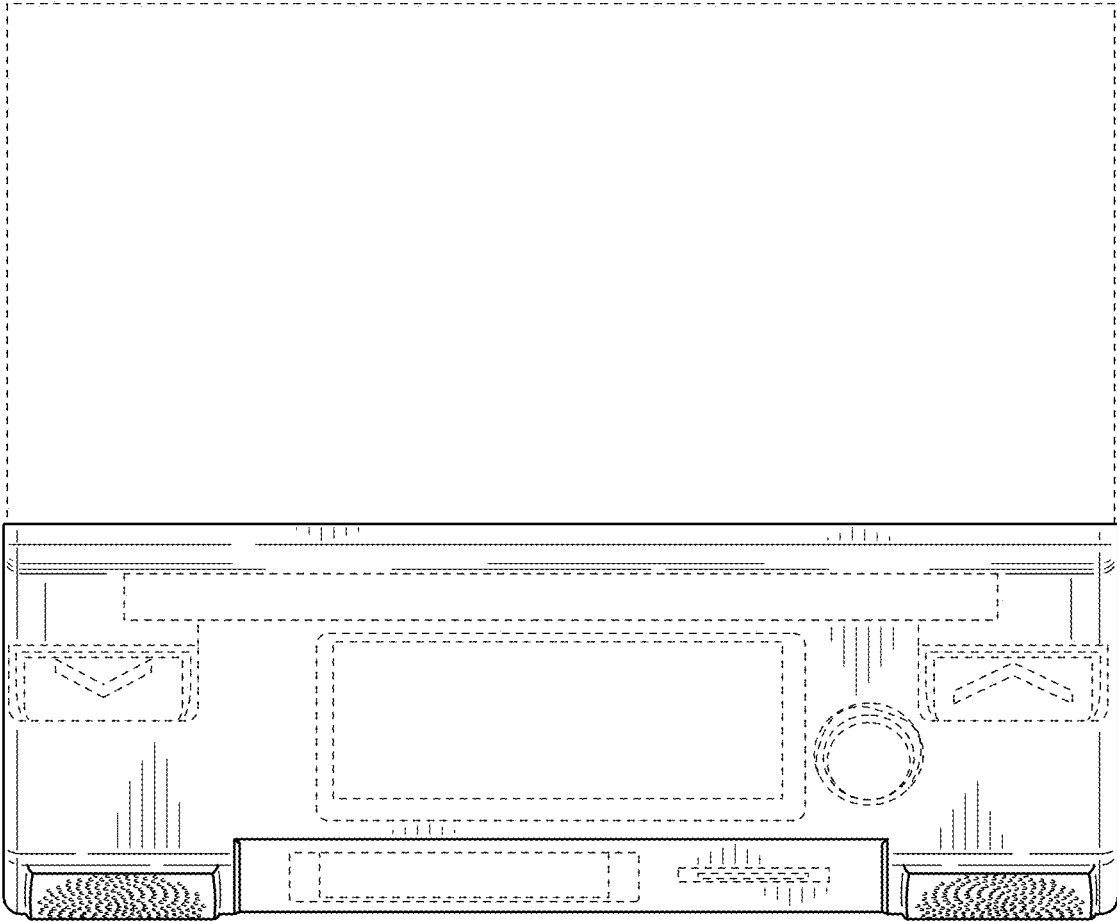


FIG. 7



FIG. 8