



US00D429263S

United States Patent [19]

[11] Patent Number: Des. 429,263

Auber et al.

[45] Date of Patent: ** Aug. 8, 2000

[54] LIQUID DISPENSING GUN AND MANIFOLD

DESCRIPTION

[75] Inventors: **James T. Auber; John J Kemner**, both of Cumming, Ga.

FIG. 1 is a perspective view of the liquid dispensing gun and manifold as a first embodiment of the invention;

[73] Assignee: **Nordson Corporation**, Westlake, Ohio

FIG. 2 is a front elevational view taken of FIG. 1;

[**] Term: **14 Years**

FIG. 3 is a left side view of the hot melt gun shown in FIG. 2;

[21] Appl. No.: **29/108,121**

FIG. 4 is a right side view taken of FIG. 2;

[22] Filed: **Jul. 21, 1999**

FIG. 5 is a top plan view taken of FIG. 2;

[51] **LOC (7) Cl.** **15-09**

FIG. 6 is a bottom view taken of FIG. 2;

[52] **U.S. Cl.** **D15/144.2**

FIG. 7 is a rear view taken of FIG. 2;

[58] **Field of Search** D15/144, 144.1, D15/144.2; D23/213; 118/313, 323, 697; 222/146.5, 189, 482, 504; 427/186, 208.2; 901/43

FIG. 8 is a perspective view of a manifold as a second embodiment of the invention;

FIG. 9 is a front elevation view taken of FIG. 8;

FIG. 10 is a rear view taken of FIG. 9;

[56] References Cited

FIG. 11 is a left side view taken of FIG. 9 with the right side view being a mirror image thereof;

U.S. PATENT DOCUMENTS

FIG. 12 is a top plan view taken of FIG. 9; and,

D. 401,600 11/1998 Byerly et al. D15/144.2

FIG. 13 is a bottom view taken of FIG. 9.

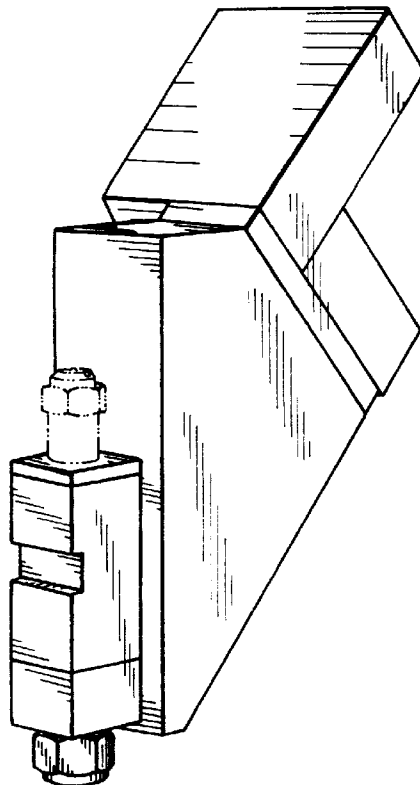
Primary Examiner—Antoine Duval Davis
Attorney, Agent, or Firm—Wood, Herron & Evans, L.L.P.

The elements shown in broken lines are for environmental purposes and relate to elements which do not form part of the claimed invention.

[57] CLAIM

The ornamental design for a liquid dispensing gun and manifold, as shown and described.

1 Claim, 3 Drawing Sheets



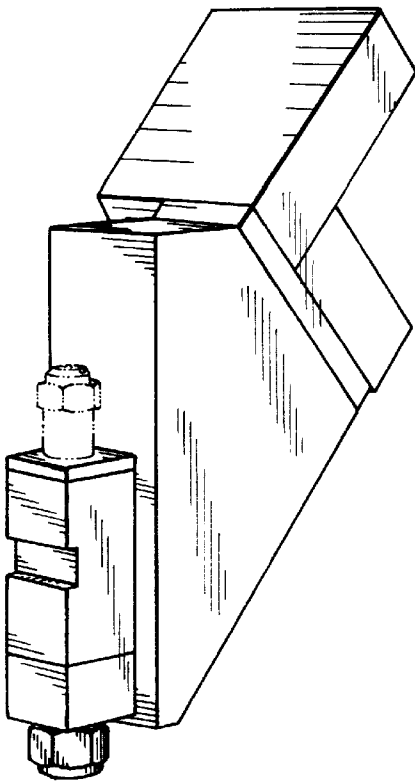


FIG. 1

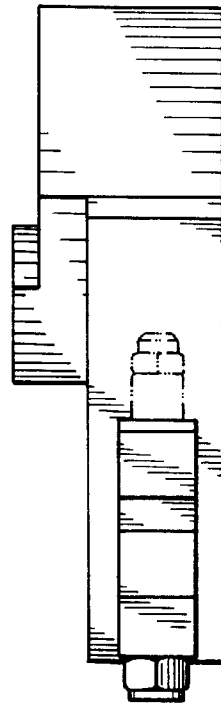


FIG. 2

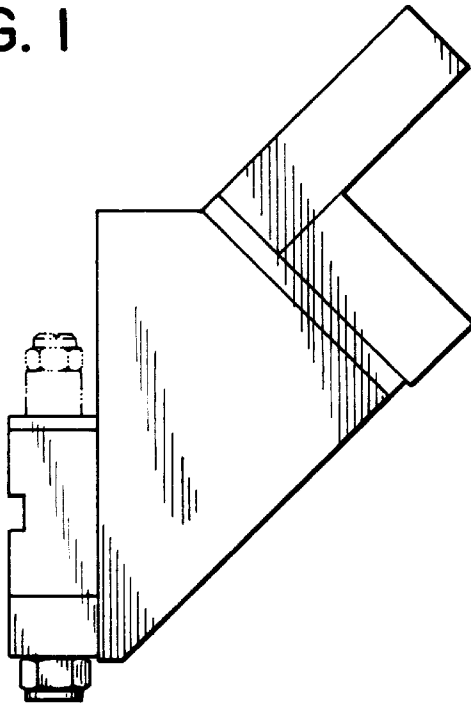


FIG. 3

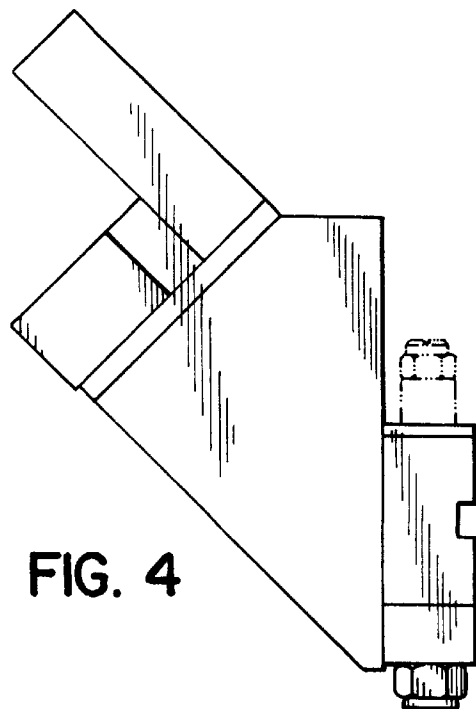


FIG. 4

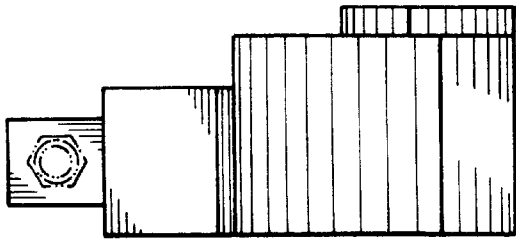


FIG. 5

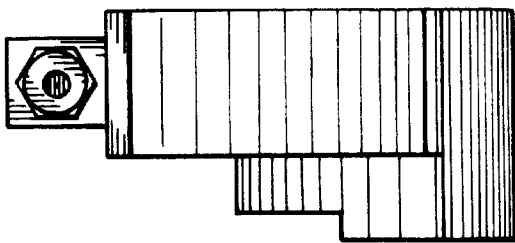


FIG. 6

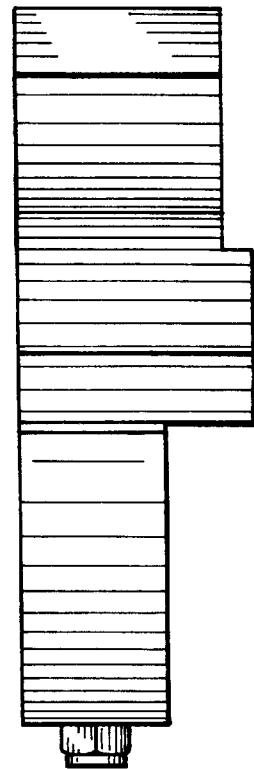


FIG. 7

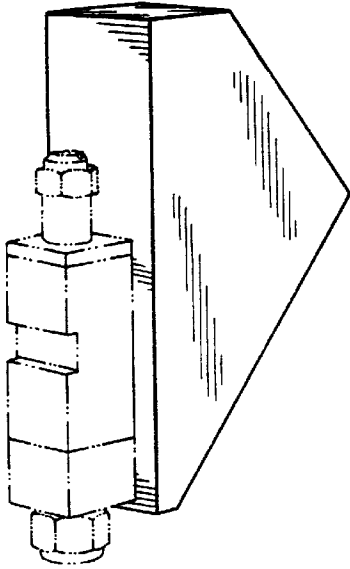


FIG. 8



FIG. 9

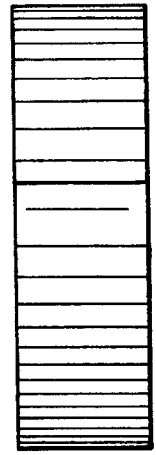


FIG. 10

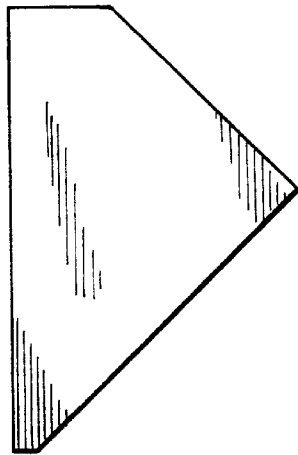


FIG. 11



FIG. 12

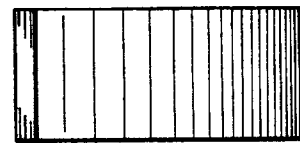


FIG. 13