



US00D488251S

(12) **United States Design Patent**
Benghozi

(10) **Patent No.:** **US D488,251 S**

(45) **Date of Patent:** **** Apr. 6, 2004**

(54) **LAMP FITTING**

D476,108 S * 6/2003 Lecluze D26/74
6,588,922 B1 * 7/2003 DeCicco 362/364

(75) Inventor: **Simon-Victor Benghozi**, Outremont
(CA)

* cited by examiner

(73) Assignee: **Bazz Inc.**, Montréal (CA)

Primary Examiner—Jennifer Rivard
(74) *Attorney, Agent, or Firm*—Jean H. Dubuc

(**) Term: **14 Years**

(57) **CLAIM**

(21) Appl. No.: **29/181,381**

The ornamental design for a lamp fitting, as shown and described.

(22) Filed: **May 12, 2003**

DESCRIPTION

(51) **LOC (7) Cl.** **26-99**

(52) **U.S. Cl.** **D26/118; D26/74**

(58) **Field of Search** D26/118, 138;
362/296, 300, 301, 307, 311, 364, 365,
366, 347, 348, 349, 350

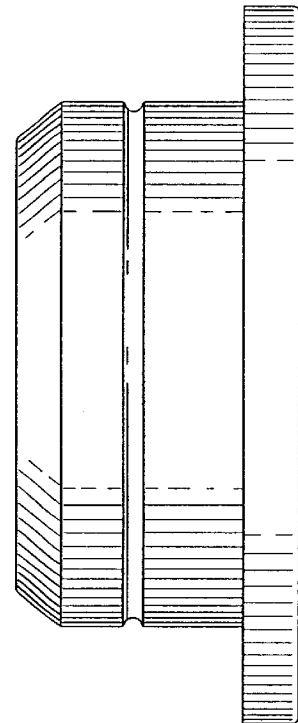
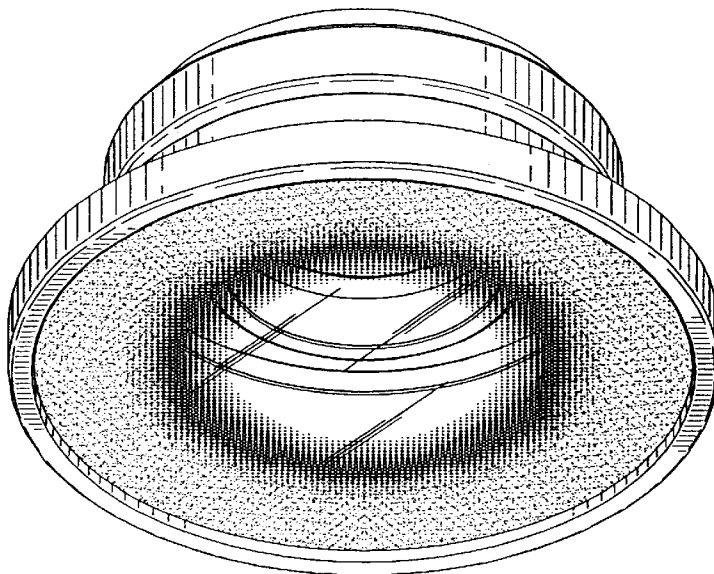
FIG. 1 is a perspective view of a lamp fitting showing my new design;
FIG. 2 is a side view thereof;
FIG. 3 is a side view opposite the side view shown in FIG. 2;
FIG. 4 is a front view thereof;
FIG. 5 is a side view at 90° to the side view shown in FIG. 2; and,
FIG. 6 is a rear view thereof.

(56) **References Cited**

U.S. PATENT DOCUMENTS

D407,524 S * 3/1999 Lecluze D26/118
6,375,338 B1 * 4/2002 Cummings et al. 362/365
D473,965 S * 4/2003 Lecluze D26/74

1 Claim, 3 Drawing Sheets



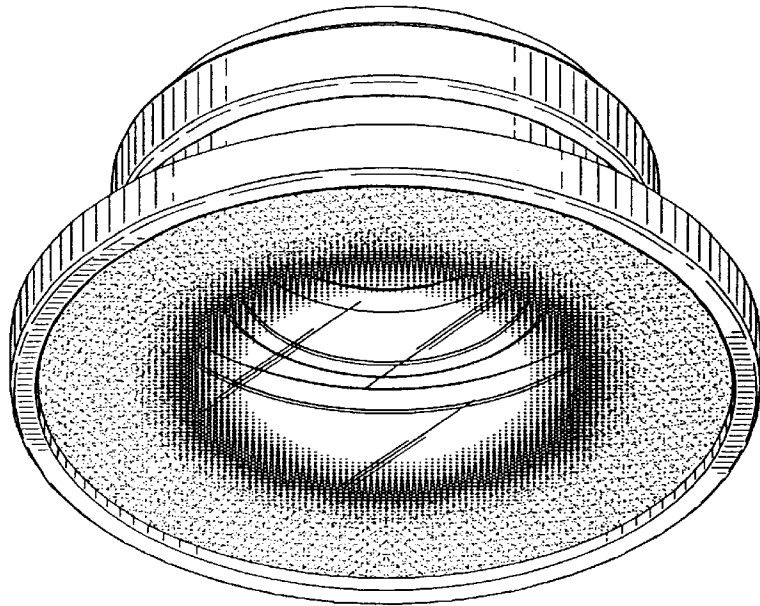


FIG. 1

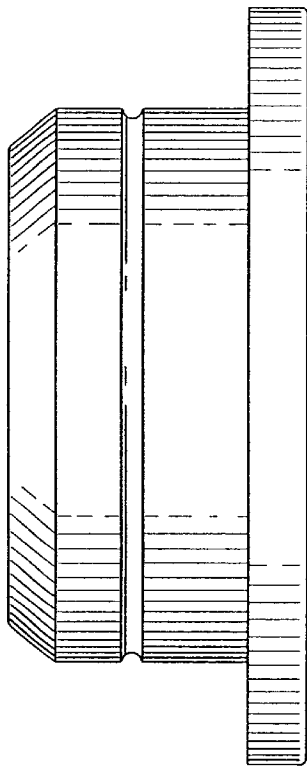


FIG. 2

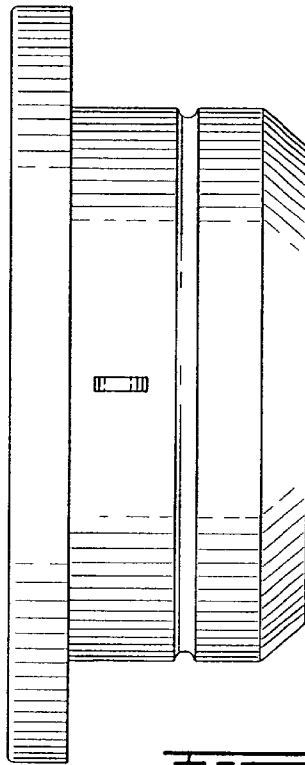


FIG. 3

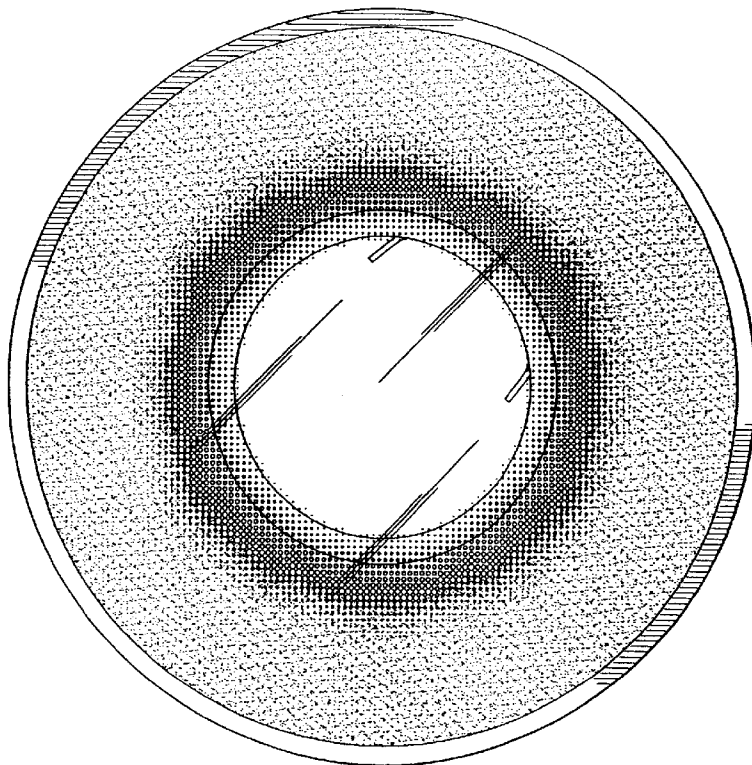


FIG. 4

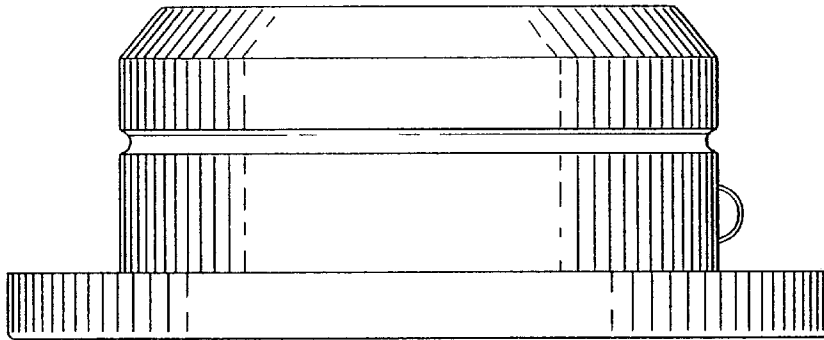


FIG. 5

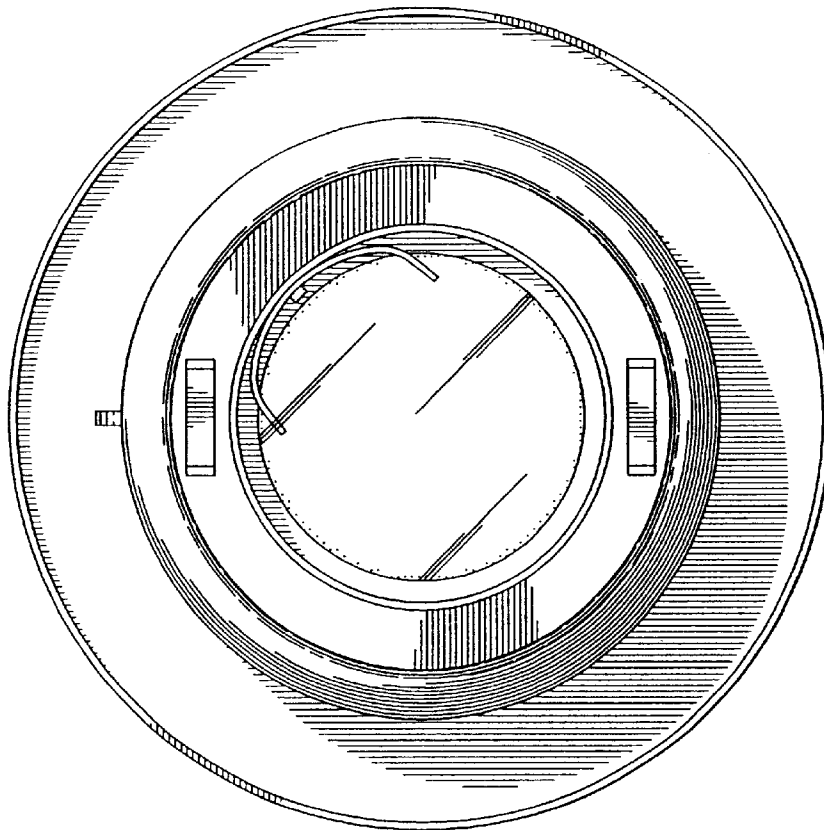


FIG. 6