



US00D405611S

**United States Patent** [19]  
**Hawkins et al.**

[11] **Patent Number:** **Des. 405,611**  
[45] **Date of Patent:** **\*\*Feb. 16, 1999**

[54] **MAGNETIC TOOL TRAY WITH FOUR SIDED HOLDER APRON**

3,670,938 6/1972 Brocato ..... 206/562  
4,911,083 3/1990 Considine ..... 206/562 X

[75] Inventors: **Joseph O. Hawkins**, Greenville, S.C.;  
**Hsuan-Sen Shiao**, Wu Jih Hsiang,  
Taiwan

**OTHER PUBLICATIONS**

ATD Tools, pp. 1 and 301, Apr., 1996.  
Astro Pneumatic Tool Co., Index and p. 73, Oct., 1996.

[73] Assignee: **Sunex International, Inc.**, Traverlerters  
Rest, S.C.

*Primary Examiner*—Ted Shooman  
*Assistant Examiner*—Richelle Shelton  
*Attorney, Agent, or Firm*—Dority & Manning, P.A.

[\*\*] Term: **14 Years**

[57] **CLAIM**

[21] Appl. No.: **72,356**

The ornamental design for a magnetic tool tray with four sided holder apron, as shown and described.

[22] Filed: **Jun. 13, 1997**

**DESCRIPTION**

[51] **LOC (6) Cl.** ..... **03-01**

[52] **U.S. Cl.** ..... **D3/313; D3/905**

[58] **Field of Search** ..... D3/304, 307-314,  
D3/905; 206/349, 350, 372, 373, 503, 558,  
562, 818; 220/735

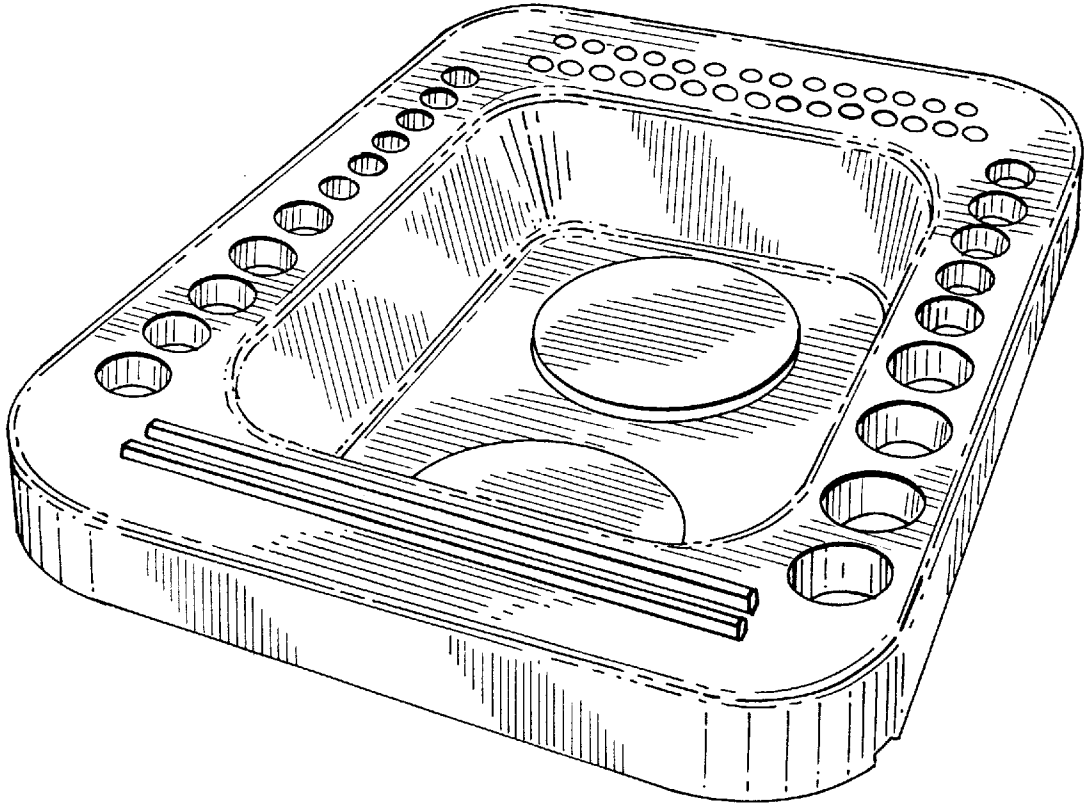
FIG. 1 is a front elevation view;  
FIG. 2 is a back elevation view;  
FIG. 3 is a top plan view;  
FIG. 4 is a side elevation view;  
FIG. 5 is a side elevation view;  
FIG. 6 is a bottom plan view; and,  
FIG. 7 is a top perspective view.

[56] **References Cited**

**U.S. PATENT DOCUMENTS**

D. 367,757 3/1996 Liu ..... D3/304 X  
D. 369,242 4/1996 Tiaramani ..... D3/308

**1 Claim, 3 Drawing Sheets**



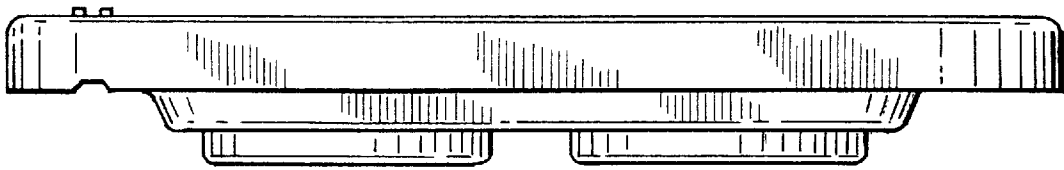


FIG. 1

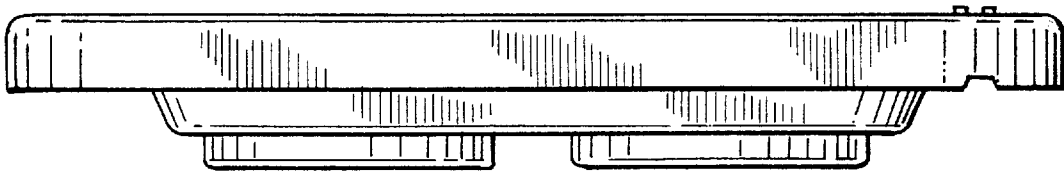


FIG. 2

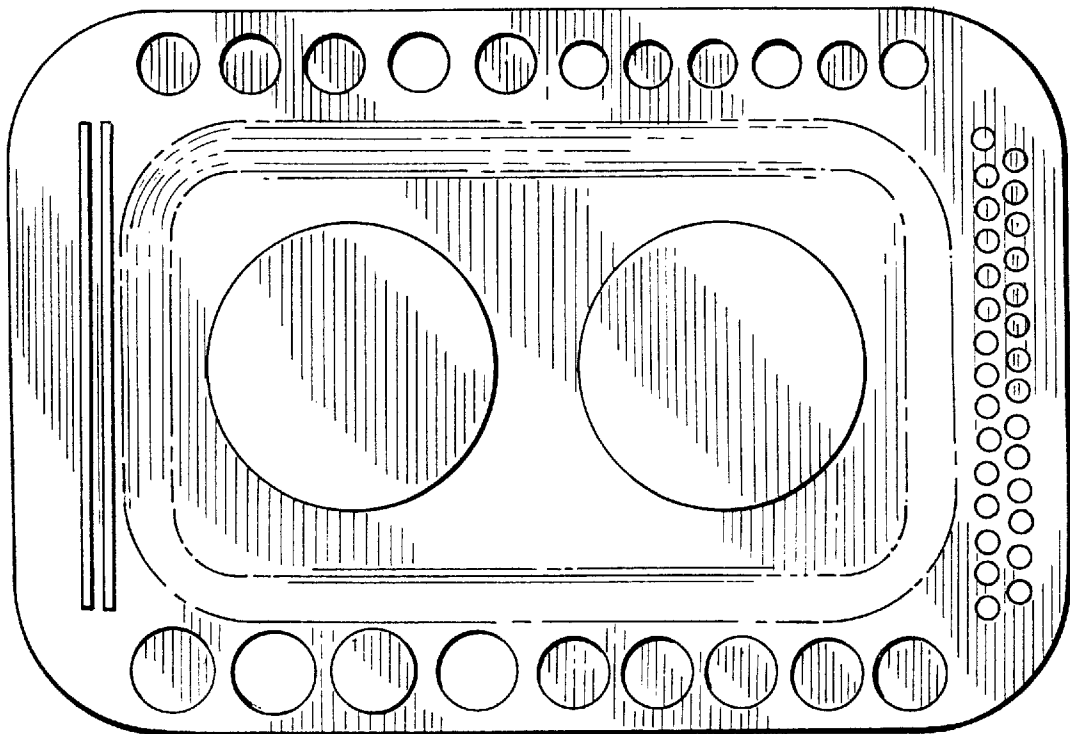
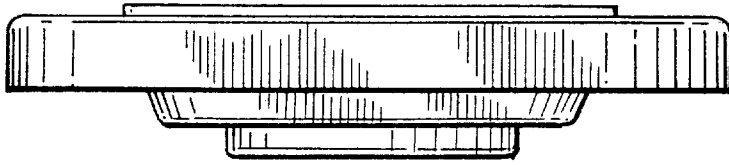
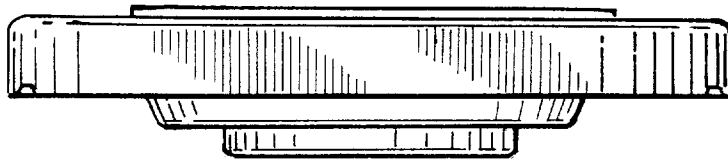


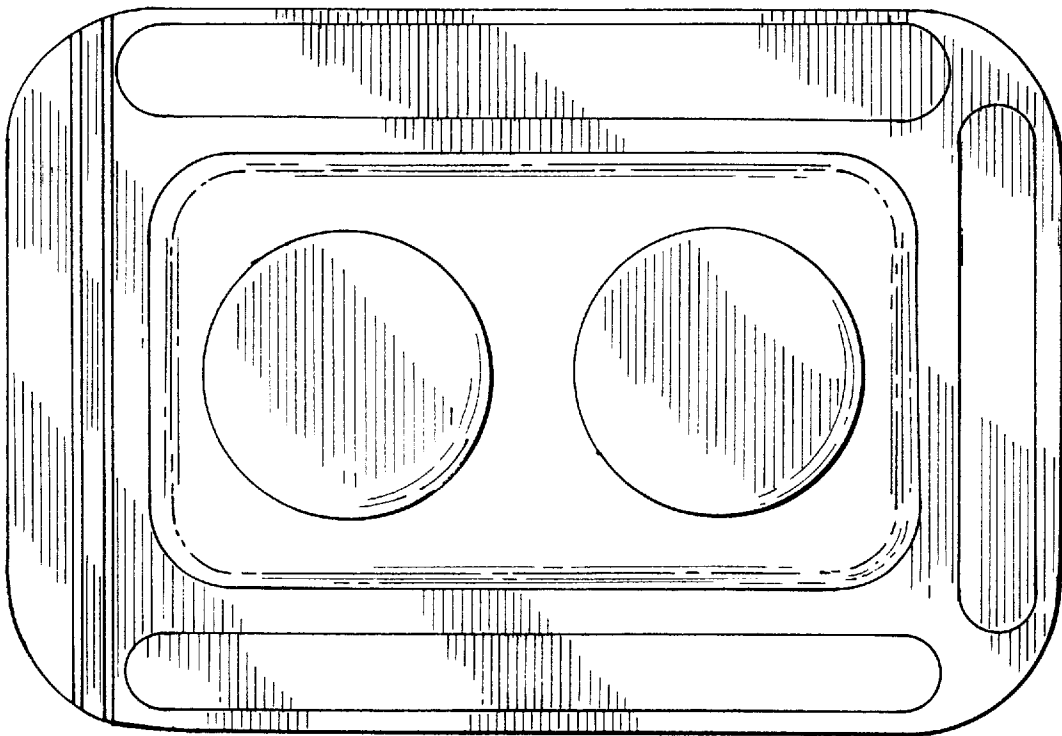
FIG. 3



*FIG. 4*



*FIG. 5*



*FIG. 6*

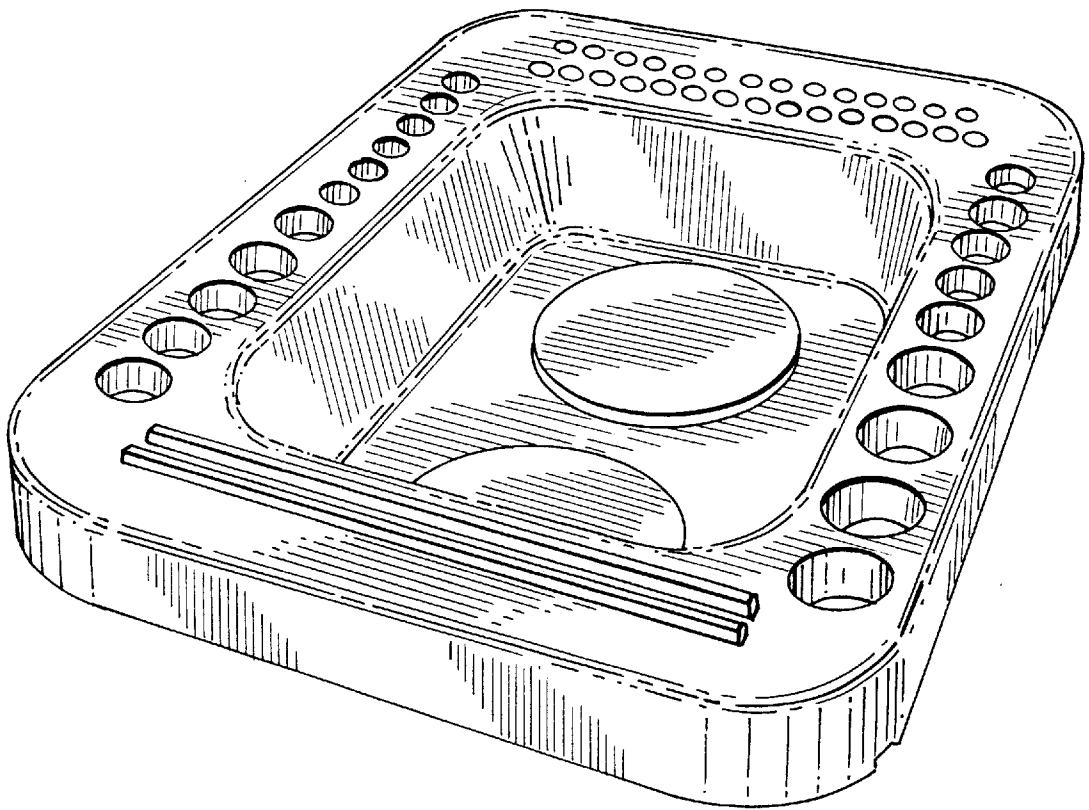


FIG. 7