



US00D973874S

(12) **United States Design Patent**
Marogil

(10) **Patent No.:** **US D973,874 S**

(45) **Date of Patent:** **** Dec. 27, 2022**

- (54) **DIGITAL TOURNIQUET**
- (71) Applicant: **Mar-Med Inc.**, Grand Rapids, MI (US)
- (72) Inventor: **Jerry Paul Marogil**, Grand Rapids, MI (US)
- (73) Assignee: **MAR-MED INC.**, Grand Rapids, MI (US)
- (**) Term: **15 Years**
- (21) Appl. No.: **29/801,490**
- (22) Filed: **Jul. 29, 2021**
- (51) **LOC (13) Cl.** **24-02**
- (52) **U.S. Cl.**
USPC **D24/143; D24/169**
- (58) **Field of Classification Search**
USPC D24/143, 165, 169, 189-190; D10/46
CPC A61B 17/132; A61B 17/1322; A61B 17/1325; A61B 17/1355; A61B 5/6833; A61F 2013/0028; A61F 2013/00468
See application file for complete search history.

- 11,246,523 B1 * 2/2022 Abercrombie, II .. A61B 5/6833
- 11,289,197 B1 * 3/2022 Park A61B 5/6832
- 11,350,865 B2 * 6/2022 Abercrombie, II .. A61B 5/6833
- 2018/0008280 A1 * 1/2018 Clark A61B 17/132

OTHER PUBLICATIONS

Mar-Med, Uni-Cot® Digit Tourniquet. Retrieved Oct. 14, 2022. Retrieved from the Internet: <<https://marmed.com/products/uni-cot-2-0/>>. Jun. 10, 2021.*

* cited by examiner

Primary Examiner — Wan Laymon

(74) *Attorney, Agent, or Firm* — Stinson LLP

(57) **CLAIM**

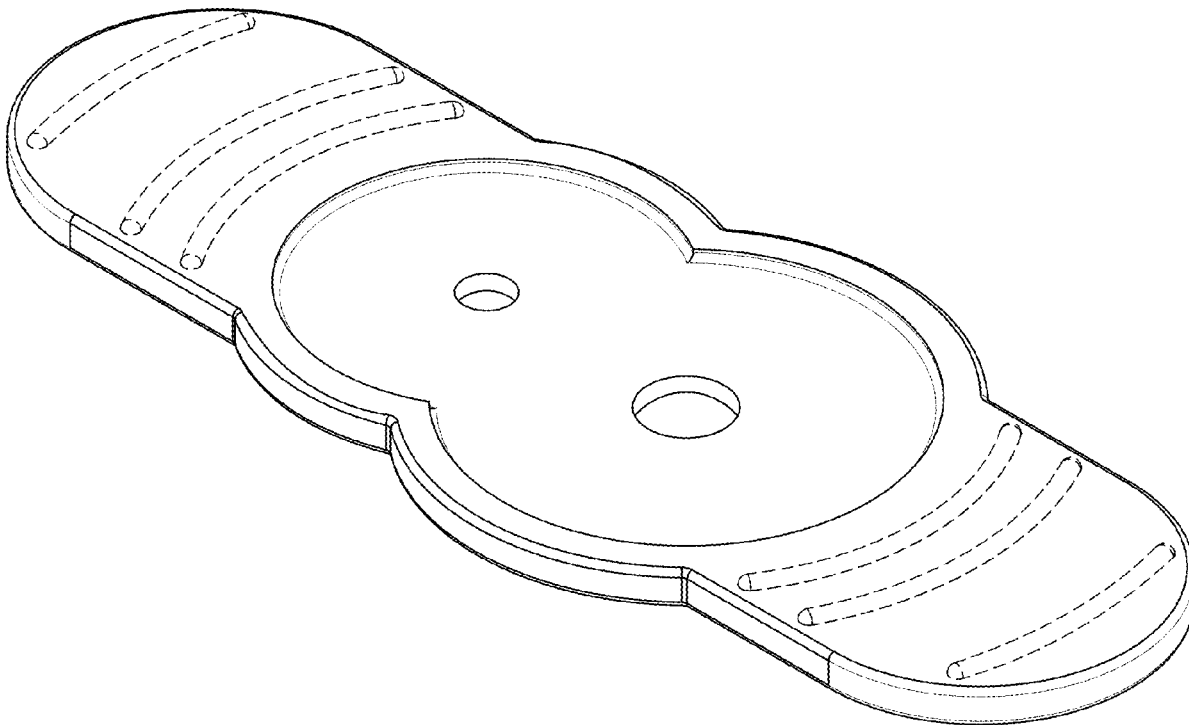
The ornamental design for a digital tourniquet, as shown and described.

DESCRIPTION

FIG. 1 is a perspective of a digital tourniquet; FIG. 2 is a front view thereof; FIG. 3 is a right side view thereof; FIG. 4 is a top plan view thereof; FIG. 5 is a rear view thereof; FIG. 6 is a left side view thereof; and, FIG. 7 is a bottom plan view thereof. The elements shown in phantom form no part of the claimed design.

1 Claim, 7 Drawing Sheets

- (56) **References Cited**
U.S. PATENT DOCUMENTS
D231,572 S * 4/1974 Cray D24/190
D823,466 S * 7/2018 Marogil
D852,965 S * 7/2019 Bahney A61B 5/6833
D24/186
11,083,371 B1 * 8/2021 Szabados A61B 5/6833
11,141,091 B2 * 10/2021 Kumar A61B 5/6833



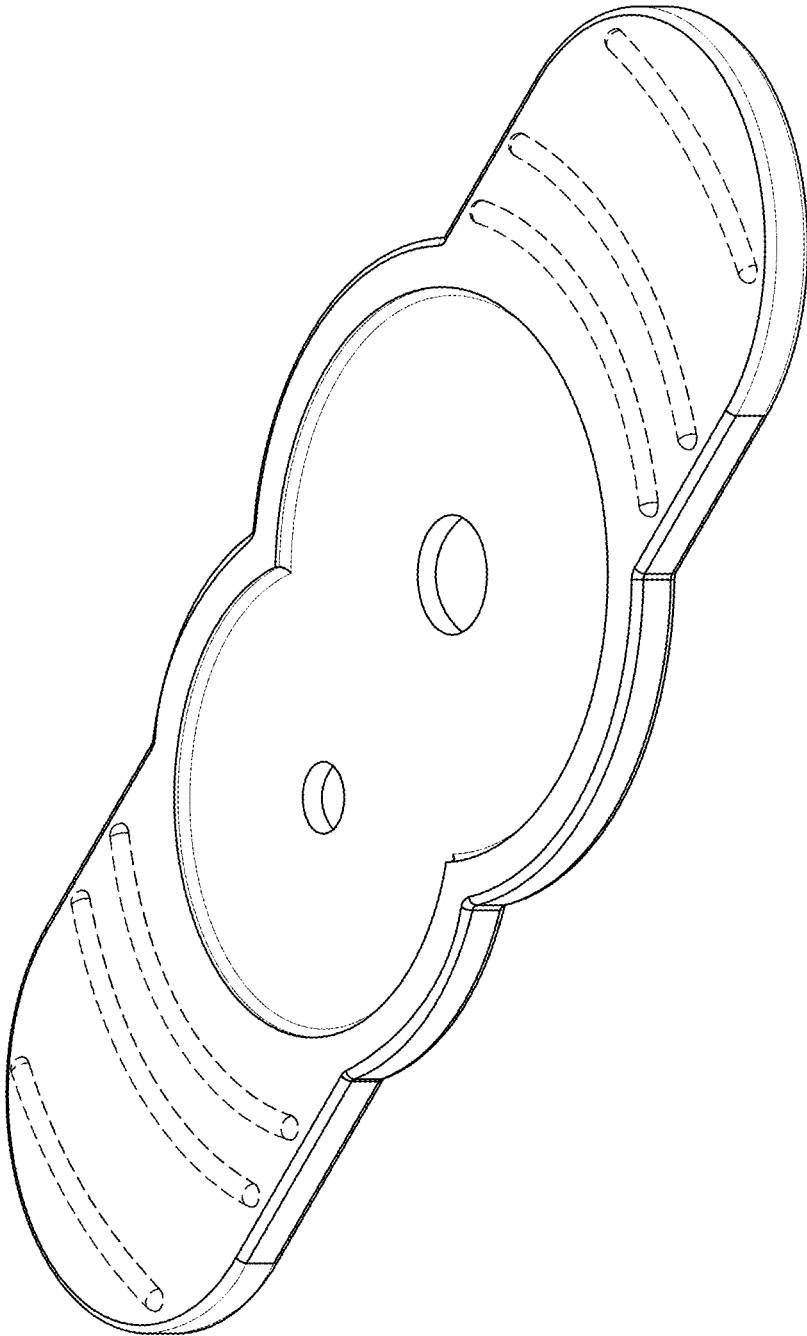


FIG. 1

FIG. 2

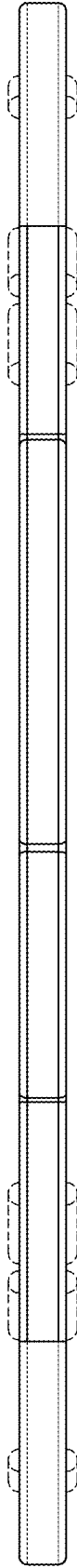
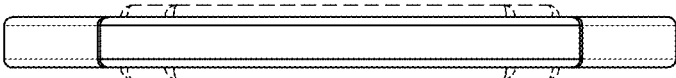


FIG. 3



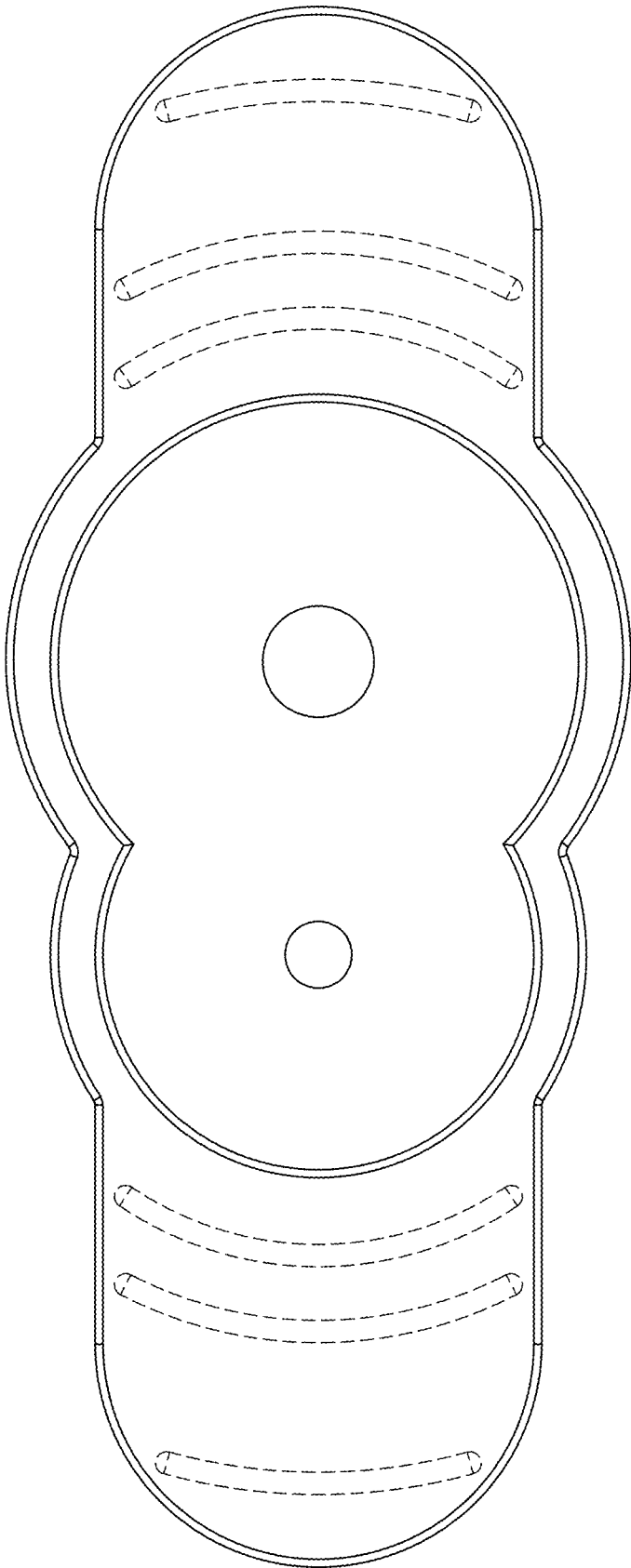


FIG. 4

FIG. 5

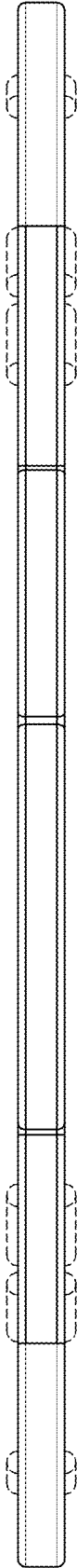
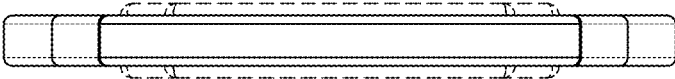


FIG. 6



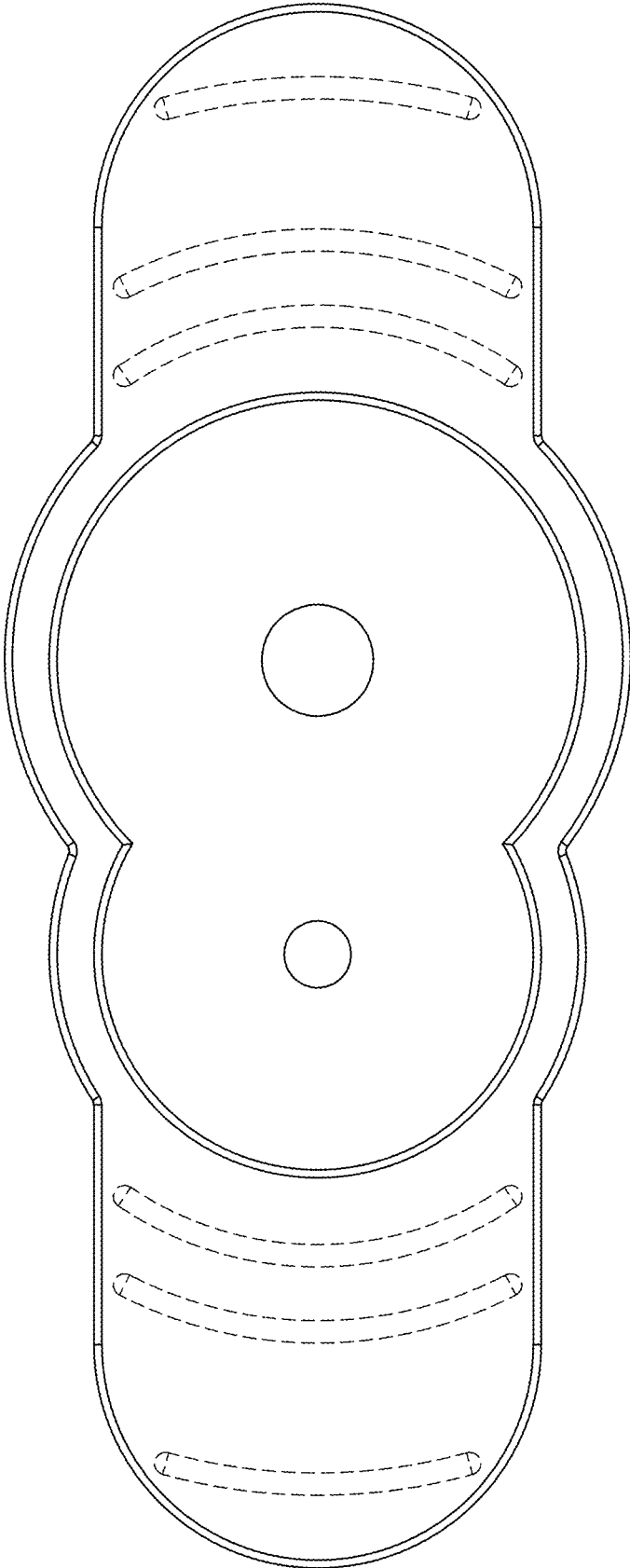


FIG. 7