

FIG. 1

N.V. Pradeep Kumar
N.V. Pradeep Kumar Alanki
Of Global IP Services
Registration number: IN/PA-1543

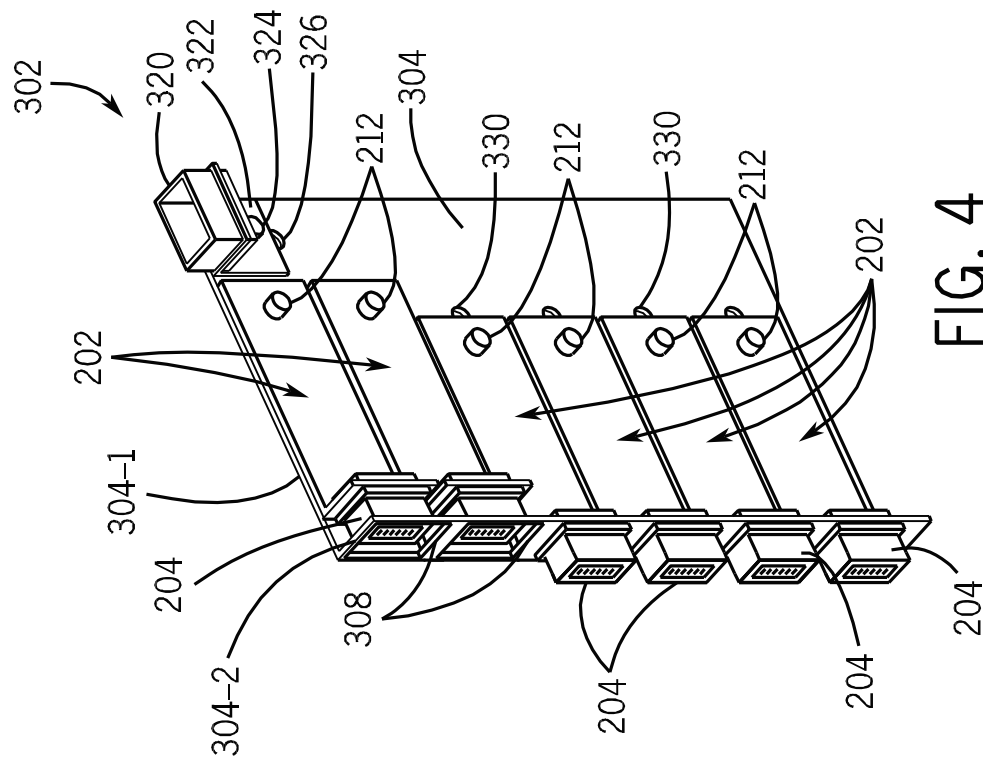


FIG. 4

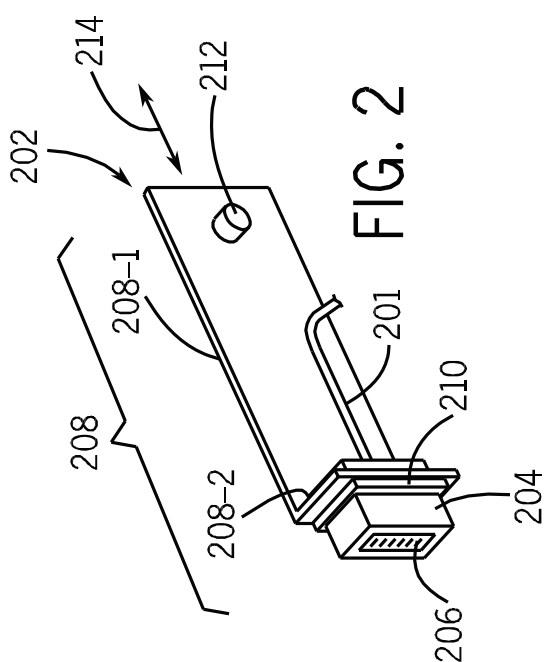


FIG. 2

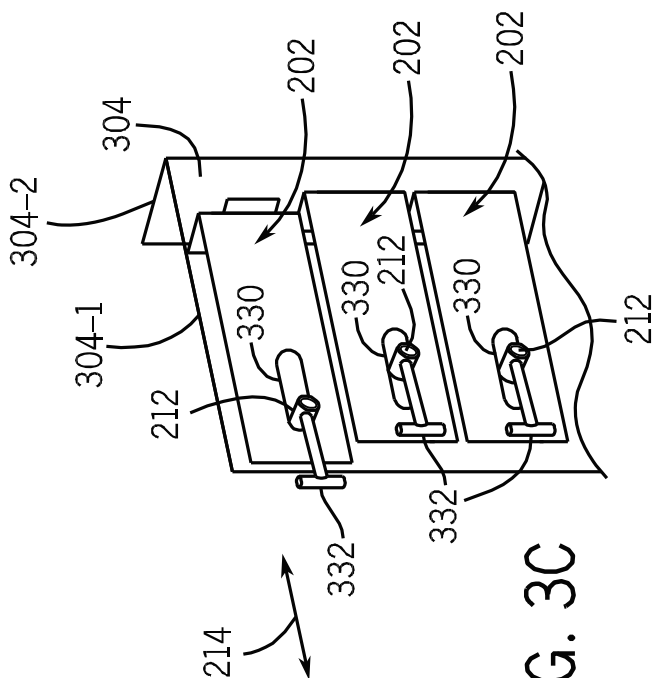


FIG. 3C

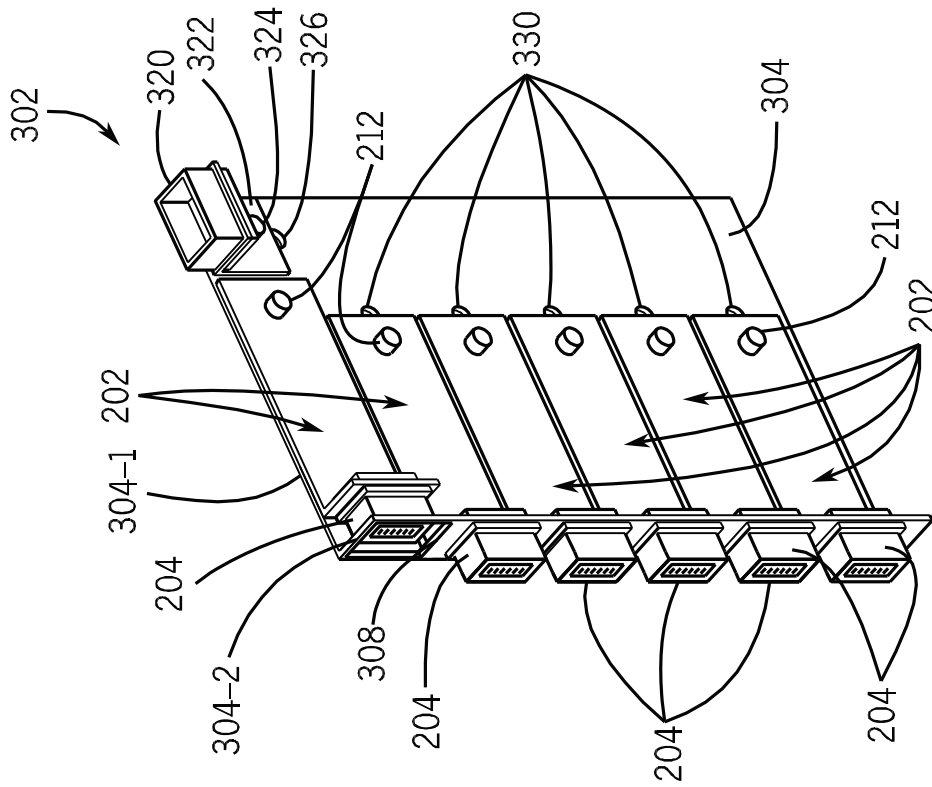


FIG. 3B

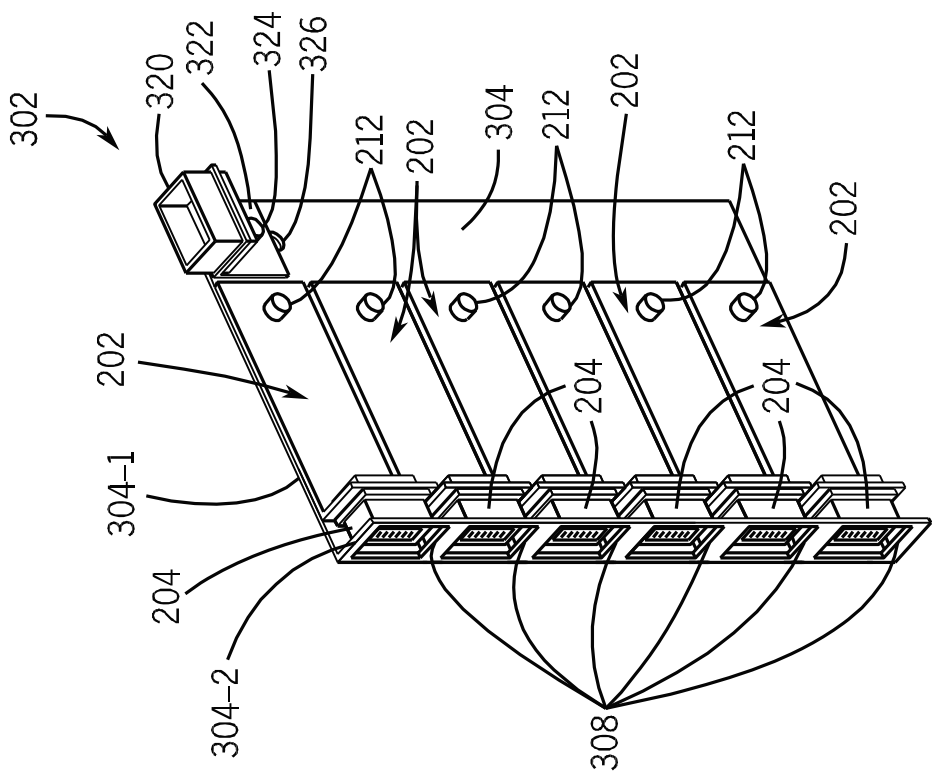
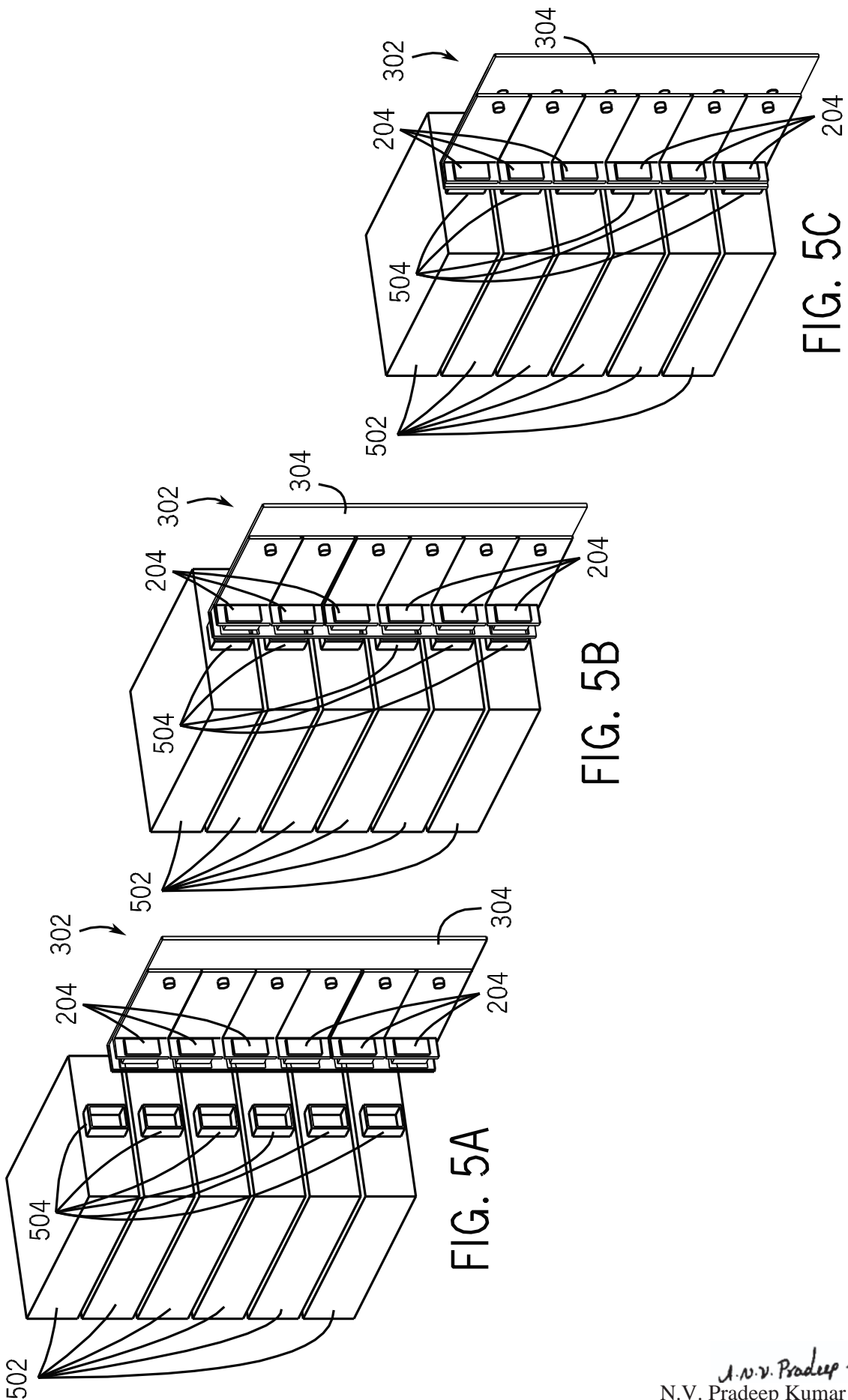


FIG. 3A



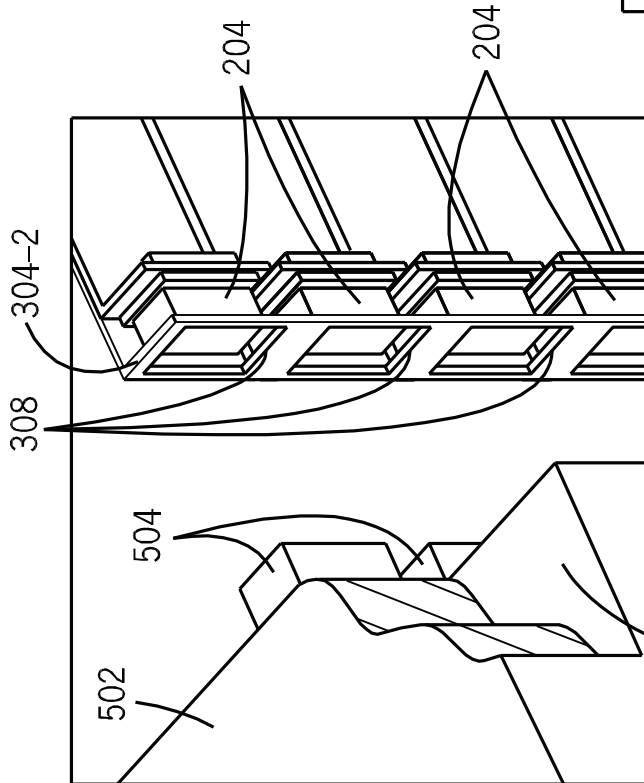


FIG. 6A

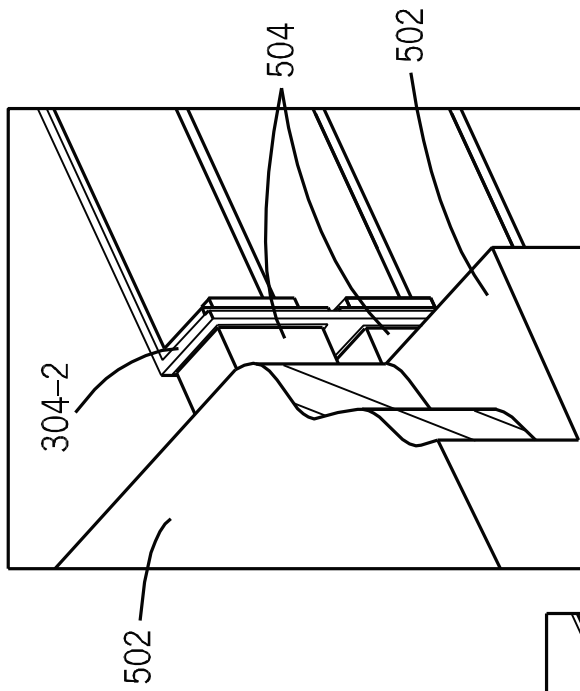


FIG. 6C

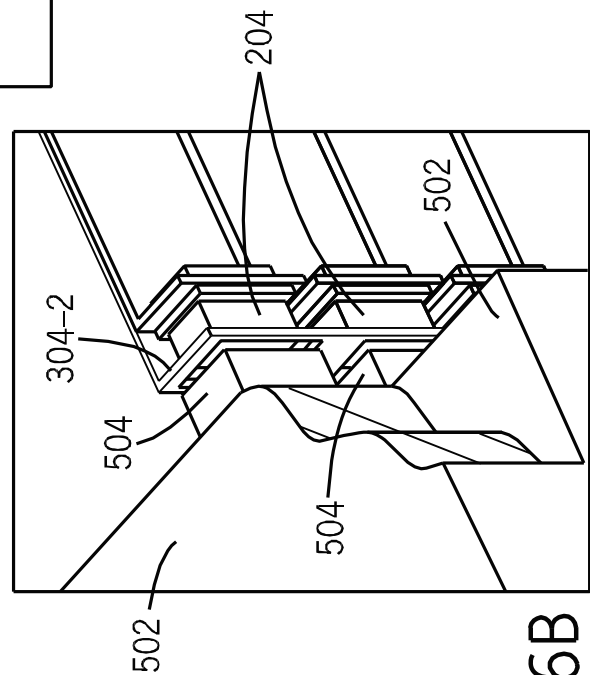


FIG. 6B

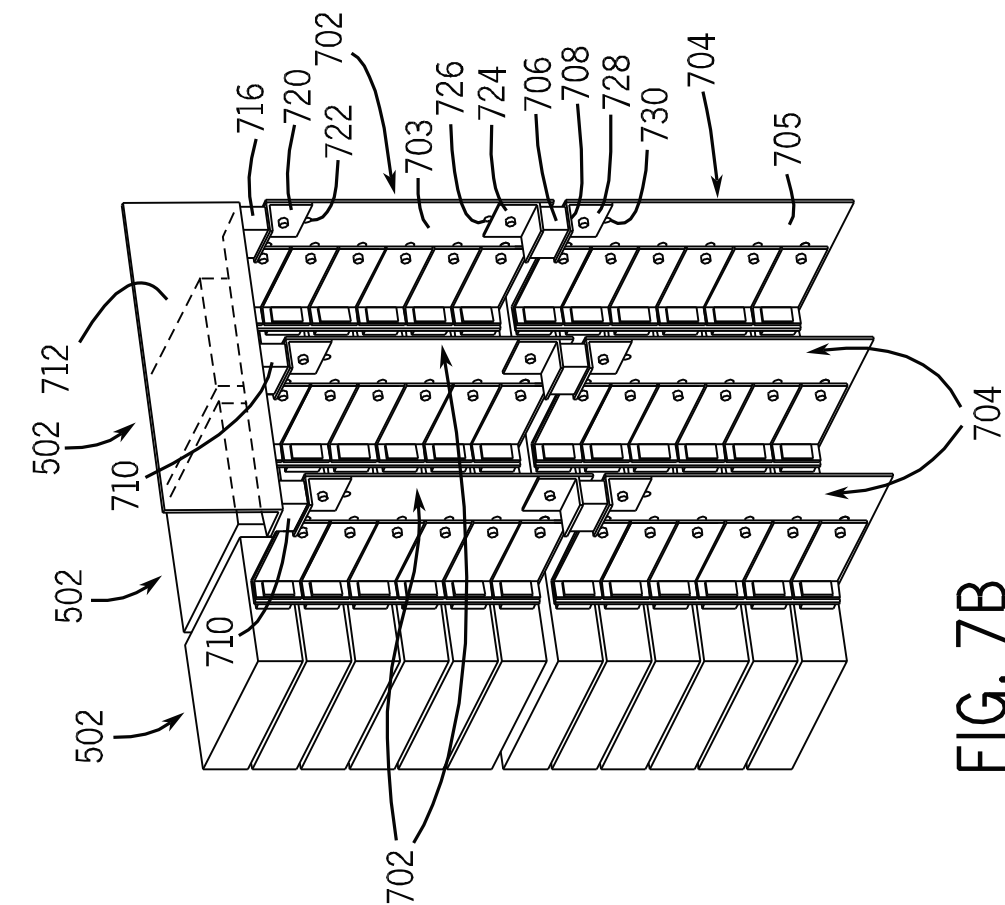


FIG. 7B

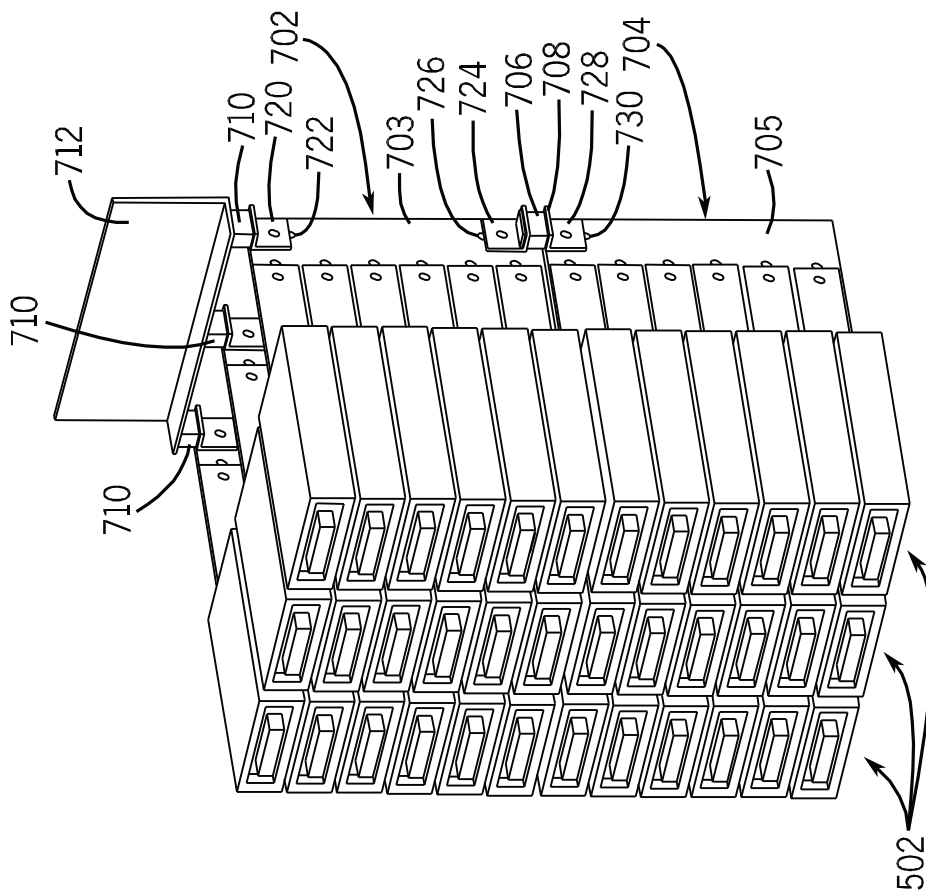


FIG. 7A

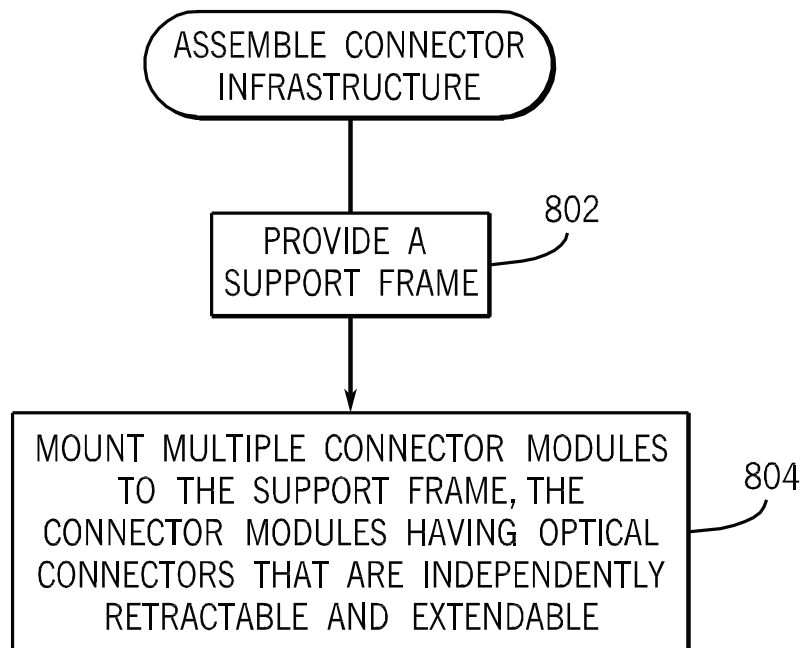


FIG. 8

N.V. Pradeep Kumar
N.V. Pradeep Kumar Alanki
Of Global IP Services
Registration number: IN/PA-1543