



US00D347994S

United States Patent [19]

[11] Patent Number: **Des. 347,994**

Hammond

[45] Date of Patent: **** Jun. 21, 1994**

[54] **DISC SLEEVE**

[76] Inventor: **Peter J. Hammond**, 34 Melanesia Road, Kohimarama, Auckland, New Zealand

[**] Term: **14 Years**

[21] Appl. No.: **2,568**

[22] Filed: **Dec. 16, 1992**

[30] **Foreign Application Priority Data**

Jun. 17, 1992 [NZ] New Zealand 24553

[52] U.S. Cl. **D9/306; D6/632; D6/626**

[58] Field of Search D9/305, 306, 415, 418; D3/35; 40/124.2; 206/312, 313; D19/32, 33

[56] **References Cited**

U.S. PATENT DOCUMENTS

- D. 262,891 2/1982 Nast D3/35 X
- D. 271,700 12/1983 Doughner et al. D3/35 X
- D. 299,888 2/1989 Maxwell D3/35

- D. 323,428 1/1992 Wang D3/35
- D. 333,610 3/1993 Oshry et al. D9/306
- 4,706,396 11/1987 Nomura 40/124.2

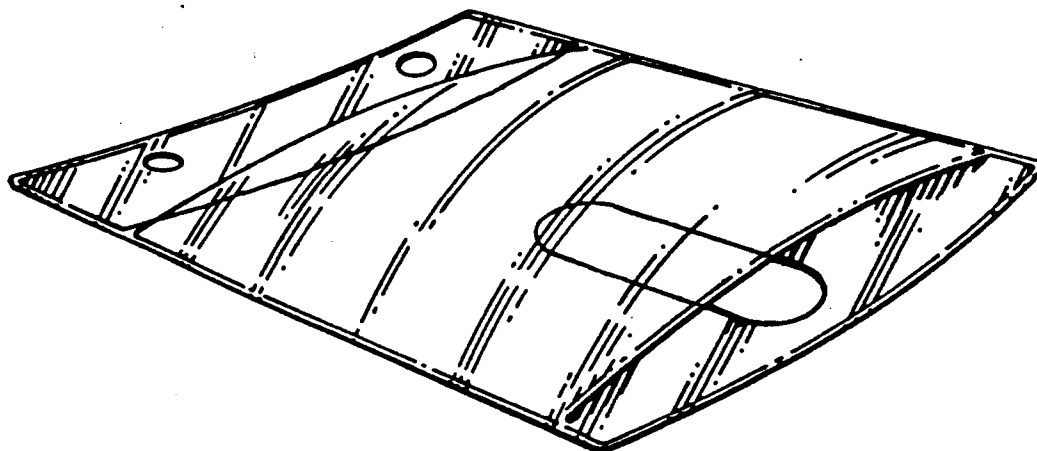
Primary Examiner—Bernard Ansher
Assistant Examiner—M. Siegel
Attorney, Agent, or Firm—Helfgott & Karas

[57] CLAIM

The ornamental design for a disc sleeve, as shown and described.

DESCRIPTION

FIG. 1 is a top plan view of a disc sleeve showing my new design;
 FIG. 2 is a bottom end view thereof;
 FIG. 3 is a top end view thereof;
 FIG. 4 is a cross sectional taken on line 4—4 of FIG. 1;
 FIG. 5 is a left side elevational view thereof, the undisclosed opposite side being a mirror image;
 FIG. 6 is a perspective view thereof, shown in a partially open position for clarity of illustration; and,
 FIG. 7 is a bottom plan view of FIG. 1.



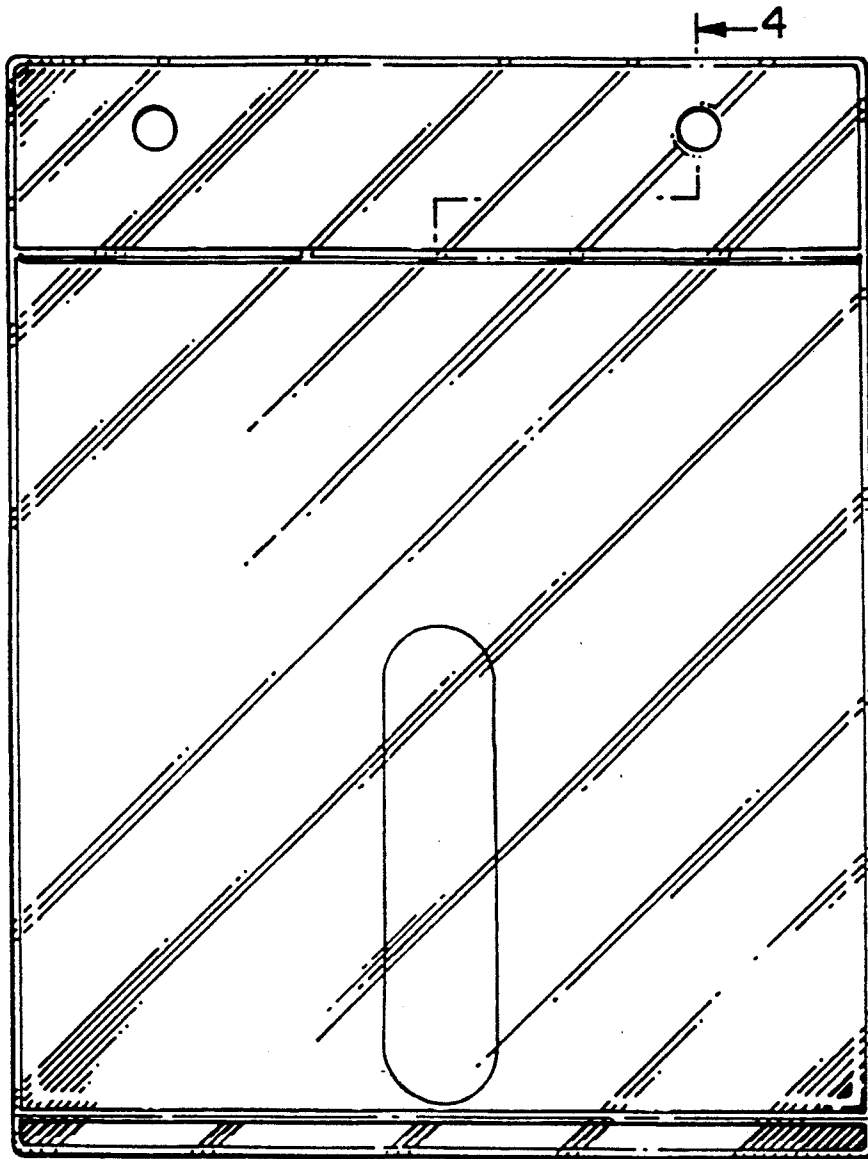


FIG. 1

← 4

FIG. 2



FIG. 3





FIG. 4



FIG. 5

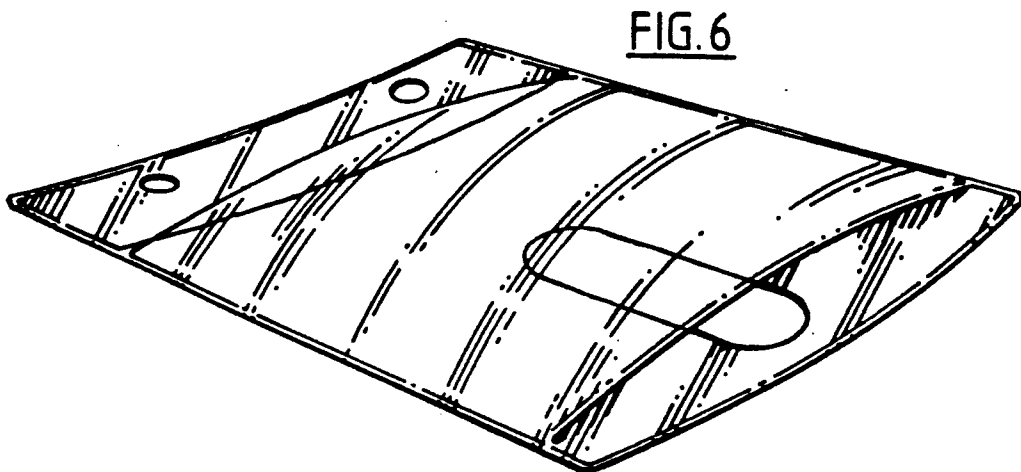


FIG. 6

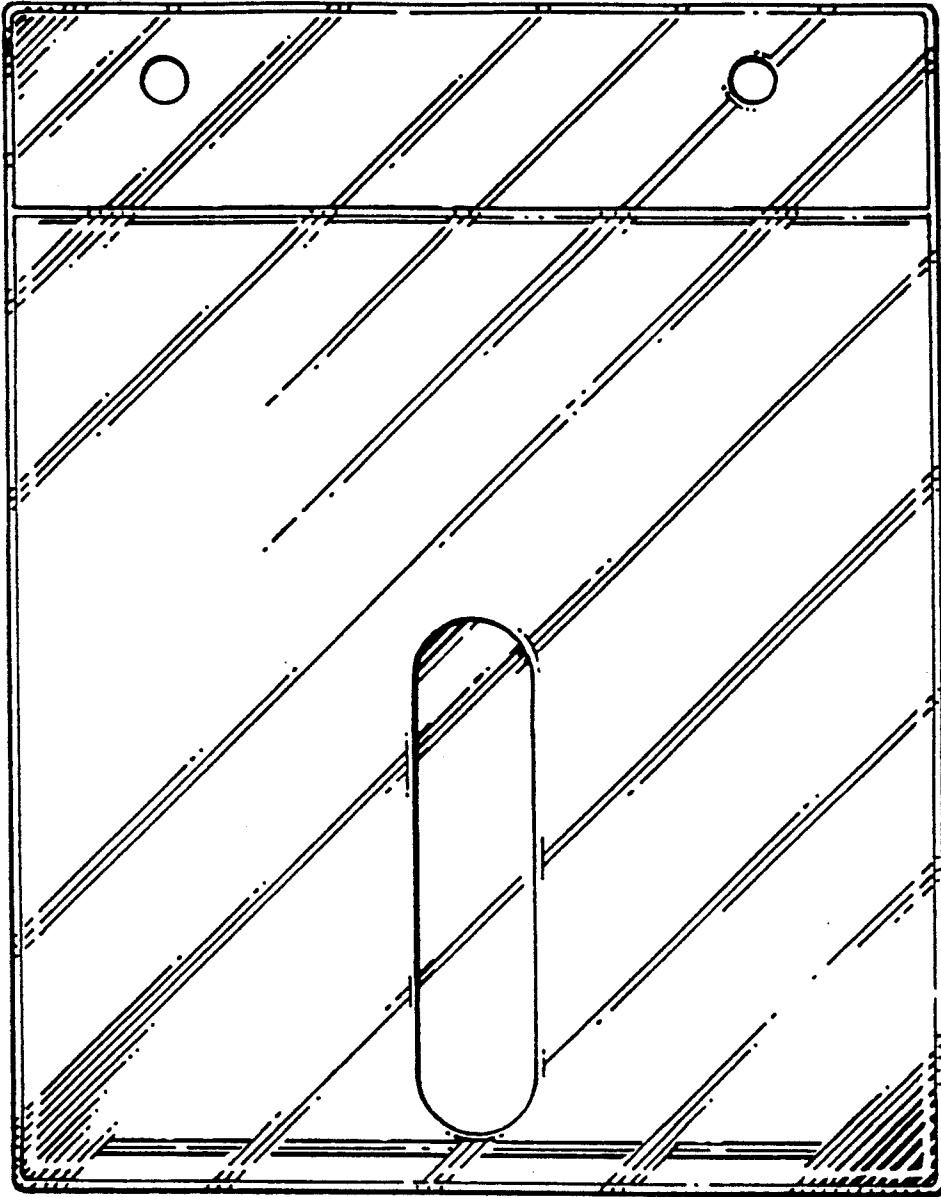


FIG. 7