

[54] SCONCE

[75] Inventor: Jerry Van Deelen, New York, N.Y.

[73] Assignee: Les Prismatiques, Inc., New York, N.Y.

[\*\*] Term: 14 Years

[21] Appl. No.: 700,718

[22] Filed: Feb. 11, 1985

[52] U.S. Cl. .... D26/85; D26/9

[58] Field of Search ..... D26/72-92,  
D26/9-23; 362/432; 431/288, 289, 291, 292,  
294, 295, 296, 297

[56] References Cited

U.S. PATENT DOCUMENTS

1,864,145 6/1932 Ohm ..... 362/432

OTHER PUBLICATIONS

Mettamosu Casa Insieme (Supplement to Abare) #3  
Lamps, 1981, p. 21, No. 1 Wall Lamp.

Mettamosu Casa Insieme (Supplement to Abitare) #3  
Lamps, 1981, No. 2, Hanging Lamp-Reflector.

Primary Examiner—Susan J. Lucas  
Attorney, Agent, or Firm—Natter & Natter

[57] CLAIM

The ornamental design for a sconce, as shown and described.

DESCRIPTION

FIG. 1 is a front elevation view of the sconce showing my new design;  
FIG. 2 is a side elevation view of the sconce;  
FIG. 3 is a top plan view of the sconce;  
FIG. 4 is a bottom view of the sconce;  
FIG. 5 is an enlarged scale front elevational view of the sconce with its pelucid disc removed;  
FIG. 6 is a sectional view through the sconce, the same taken substantially along the plane 6—6 of FIG. 1 and further illustrating the contour of the pelucid disc.  
The side not illustrated is identical to the elevational view of FIG. 2, and the back of the base is plain and unornamented.

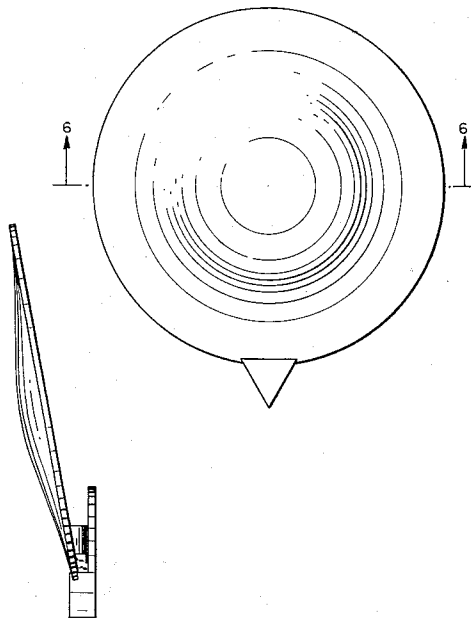


FIG. 1

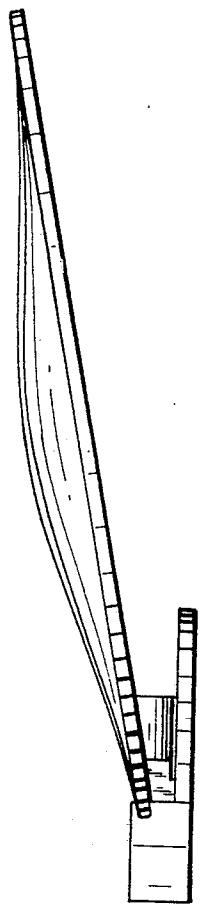
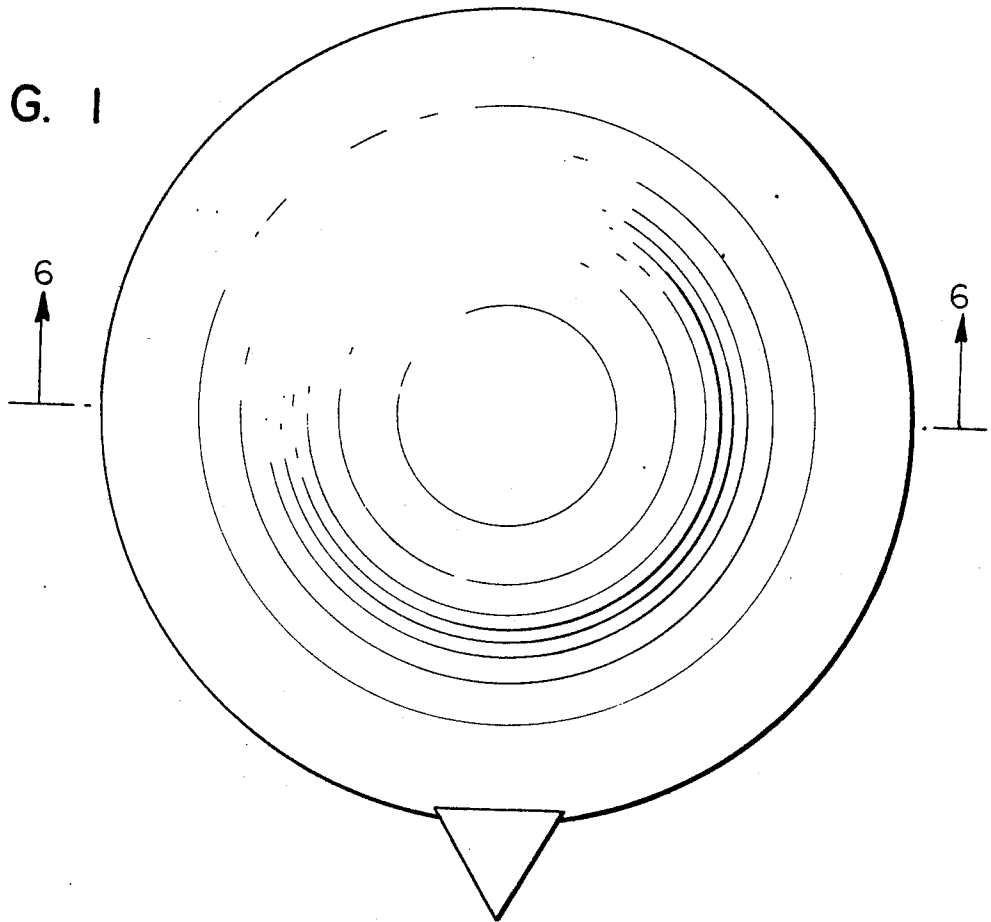


FIG. 2

FIG. 6

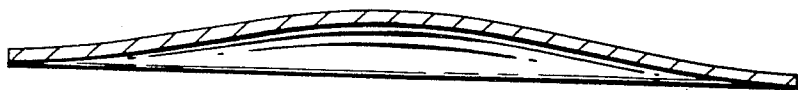


FIG. 5

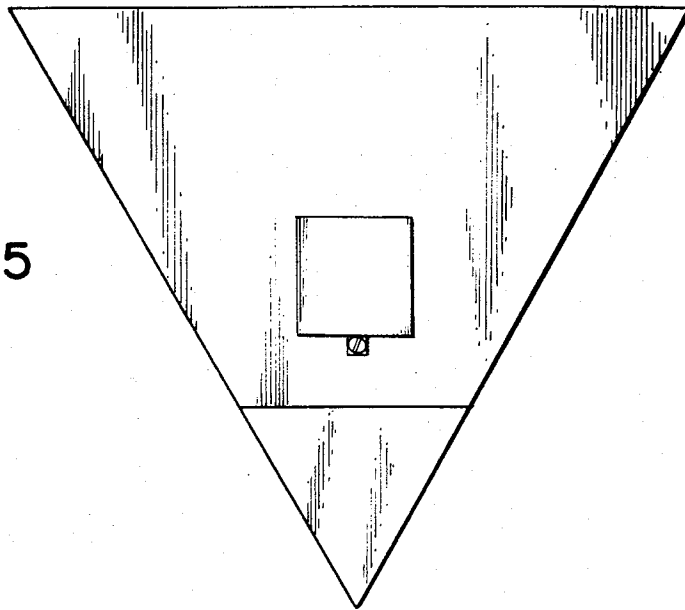


FIG. 3

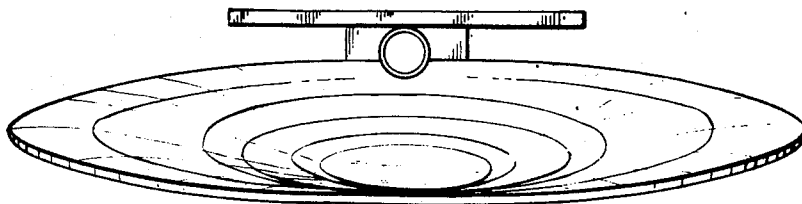


FIG. 4

