



US00D928163S

(12) **United States Design Patent** (10) **Patent No.:** **US D928,163 S**
Akana et al. (45) **Date of Patent:** **** Aug. 17, 2021**

(54) **DISPLAY FOR ELECTRONIC DEVICE**
(71) Applicant: **Apple Inc.**, Cupertino, CA (US)
(72) Inventors: **Jody Akana**, San Francisco, CA (US); **Bartley K. Andre**, Palo Alto, CA (US); **Shota Aoyagi**, San Francisco, CA (US); **Anthony Michael Ashcroft**, San Francisco, CA (US); **Jeremy Bataillou**, San Francisco, CA (US); **Daniel J. Coster**, San Francisco, CA (US); **Daniele De Iullis**, San Francisco, CA (US); **Erik Geddes Pieter De Jong**, San Francisco, CA (US); **M. Evans Hankey**, San Francisco, CA (US); **Julian Hoenig**, San Francisco, CA (US); **Richard P. Howarth**, San Francisco, CA (US); **Jonathan P. Ive**, San Francisco, CA (US); **Peter Kardassakis**, Mountain View, CA (US); **Duncan Robert Kerr**, San Francisco, CA (US); **Marc A. Newson**, London (GB); **Matthew Dean Rohrbach**, San Francisco, CA (US); **Fletcher Rothkopf**, Los Altos, CA (US); **Peter Russell-Clarke**, San Francisco, CA (US); **Benjamin Andrew Shaffer**, San Jose, CA (US); **Anna-Katrina Shedletsky**, Mountain View, CA (US); **Mikael Silvano**, San Francisco, CA (US); **Christopher J. Stringer**, Woodside, CA (US); **Katherine E. Tong**, San Francisco, CA (US); **Samuel Bruce Weiss**, Los Altos Hills, CA (US); **Eugene Antony Whang**, San Francisco, CA (US); **Rico Zörkendörfer**, San Francisco, CA (US)

(73) Assignee: **Apple Inc.**, Cupertino, CA (US)
(**) Term: **15 Years**
(21) Appl. No.: **29/756,990**
(22) Filed: **Nov. 2, 2020**

Related U.S. Application Data

(63) Continuation of application No. 29/622,918, filed on Oct. 20, 2017, now Pat. No. Des. 900,813, which is a (Continued)

(51) **LOC (13) Cl.** **14-02**

(52) **U.S. Cl.**
USPC **D14/439**

(58) **Field of Classification Search**
USPC D14/371, 373, 125-128, 217, 374, 900, D14/341, 344-345, 348-349, 351-359,
(Continued)

(56) **References Cited**

U.S. PATENT DOCUMENTS

D570,506 S * 6/2008 Uemoto D26/1
D597,543 S * 8/2009 Urban D14/356
(Continued)

FOREIGN PATENT DOCUMENTS

CN 304296834 * 9/2017
EM 002632026-0001 * 8/2014
(Continued)

OTHER PUBLICATIONS

One Smart Watch, Otium, allaboutcircuits.com, published by Alex Udanis on Apr. 12, 2016 © EETech Media, LLC, online, site visited May 14, 2021. Available at URL: <https://www.allaboutcircuits.com/news/teardown-tuesday-budget-smartwatch/> (Year: 2016).*

(Continued)

Primary Examiner — Sandra Snapp
Assistant Examiner — Altaira J Swangin
(74) *Attorney, Agent, or Firm* — Sterne, Kessler, Goldstein & Fox P.L.L.C.

(57) **CLAIM**

The ornamental design for a display for electronic device, as shown and described.

DESCRIPTION

FIG. 1 is a front perspective view of a display for electronic device showing the claimed design;
FIG. 2 is a rear perspective view thereof;
FIG. 3 is a front view thereof;

(Continued)

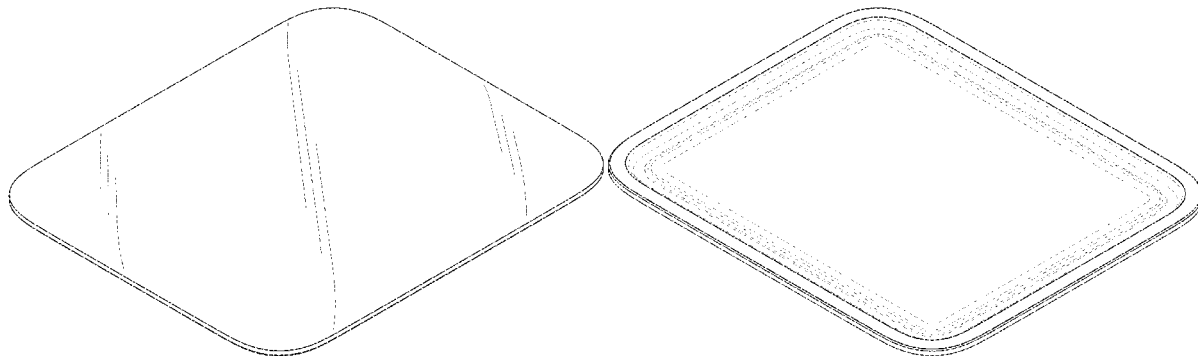


FIG. 4 is a rear view thereof;
 FIG. 5 is a left side view thereof;
 FIG. 6 is a right side view thereof;
 FIG. 7 is a top view thereof; and,
 FIG. 8 is a bottom view thereof.

The broken lines in the figures show portions of the display for electronic device that form no part of the claimed design.

1 Claim, 6 Drawing Sheets

Related U.S. Application Data

continuation of application No. 29/566,661, filed on Jun. 1, 2016, now Pat. No. Des. 800,725, which is a continuation of application No. 29/499,087, filed on Aug. 11, 2014, now Pat. No. Des. 758,363.

(58) **Field of Classification Search**

USPC D14/363, 440-442, 444, 446, 478, 367,
 D14/439; D13/107; D10/30, 103, 123,
 D10/125, 132, 38, 39; D16/101,
 D16/216-217; D19/37, 39-40; D20/11,
 D20/22, 27

CPC G06F 1/20; H05K 5/00; H05K 5/0213;
 H05K 5/03; H01L 51/56

See application file for complete search history.

(56) **References Cited**

U.S. PATENT DOCUMENTS

7,618,260 B2 * 11/2009 Daniel A44C 5/0007
 24/311

D719,153	S	*	12/2014	Lim	D14/365
D727,259	S	*	4/2015	Hwang	D13/108
D728,624	S	*	5/2015	Akana	D14/496
D729,090	S	*	5/2015	Phillips	D10/103
D730,221	S	*	5/2015	Phillips	D10/103
D758,363	S	*	6/2016	Akana	D14/344
D769,867	S	*	10/2016	Aumiller	D14/344
D770,533	S	*	11/2016	Akana	D14/496
D779,489	S	*	2/2017	Akana	D14/392
D797,150	S	*	9/2017	Akana	D14/496
D797,305	S	*	9/2017	Peak	D25/25
D797,809	S	*	9/2017	Akana	D14/496
D800,725	S		10/2017	Akana et al.		
D808,961	S	*	1/2018	Lee	D14/344
D852,176	S	*	6/2019	Moon	D14/240
D876,411	S	*	2/2020	Lim	D14/240
D882,565	S	*	4/2020	Akana	D14/344
10,624,219	B2	*	4/2020	Sisson	H05K 5/0017
D895,614	S	*	9/2020	Vandenbussche	D14/344
D895,615	S	*	9/2020	Vandenbussche	D14/344
D899,429	S	*	10/2020	Akana	D14/439
D900,813	S		11/2020	Akana et al.		

FOREIGN PATENT DOCUMENTS

EM	002632026-0002	*	6/2015
KR	300880246.0000	*	11/2019
KR	301031148.0000	*	11/2019

OTHER PUBLICATIONS

Mi Watch, Xiaomi, ifixit.com, author unlisted, published on Feb. 6, 2020 © 2021 iFixit, online, site visited May 17, 2021. Available at URL: <https://www.ifixit.com/Teardown/Xiaomi+Mi+Watch+Teardown/130132> (Year: 2020).*

* cited by examiner

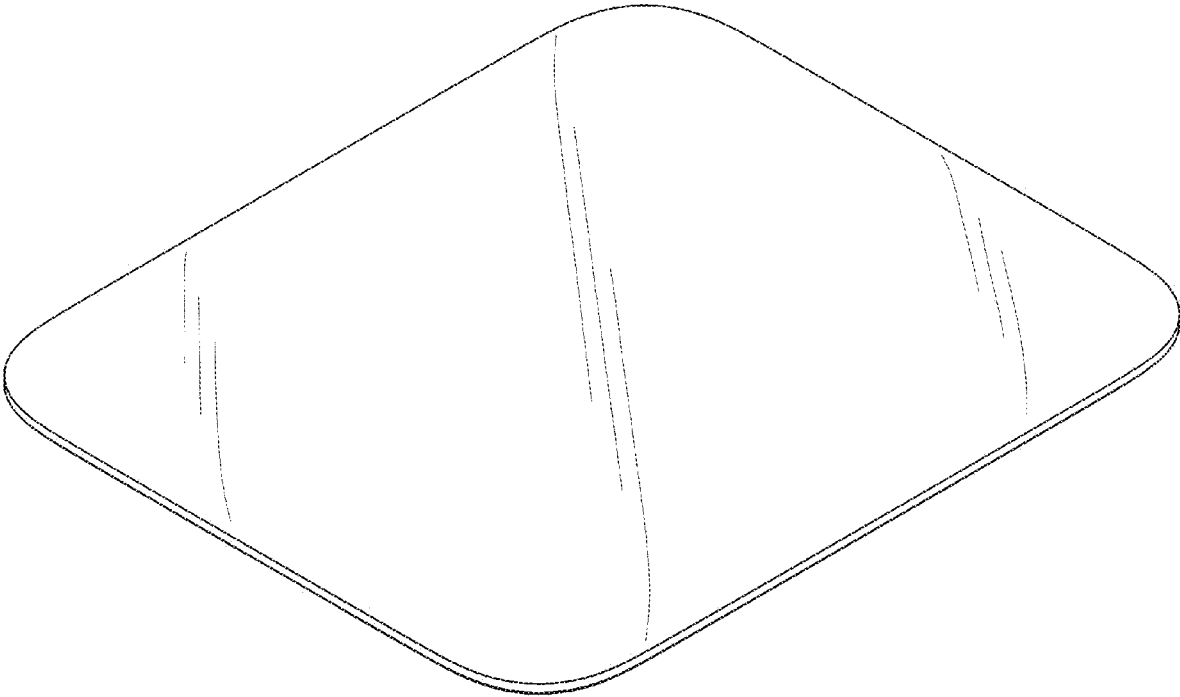


FIG. 1

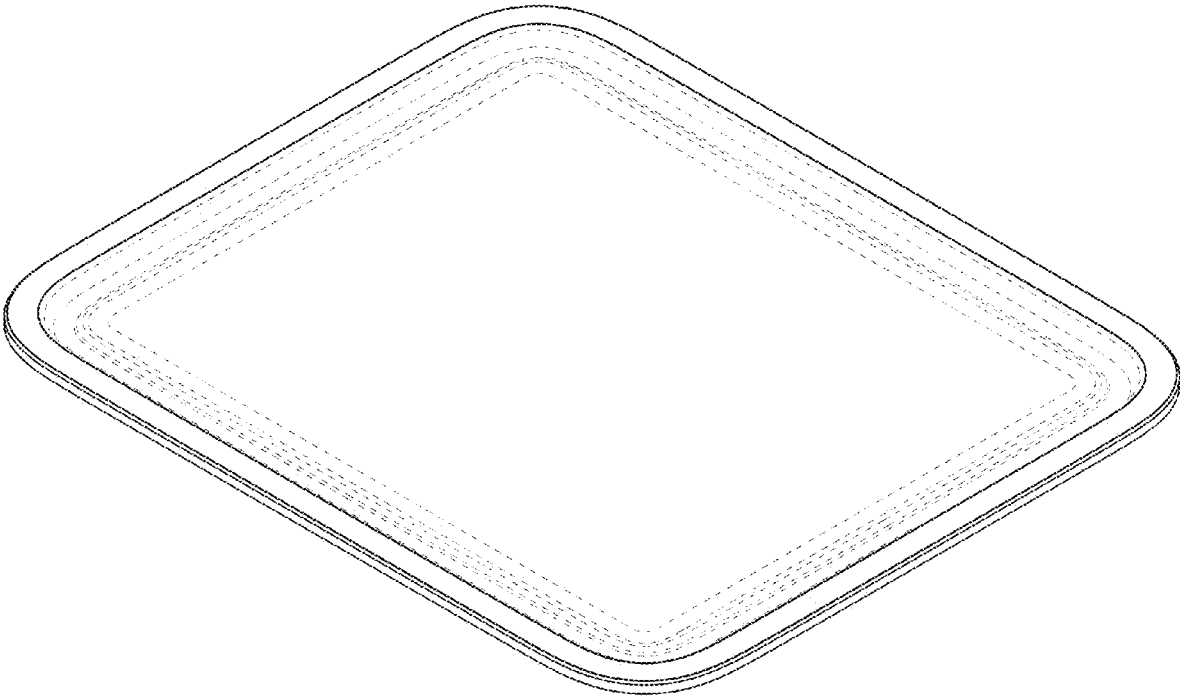


FIG. 2

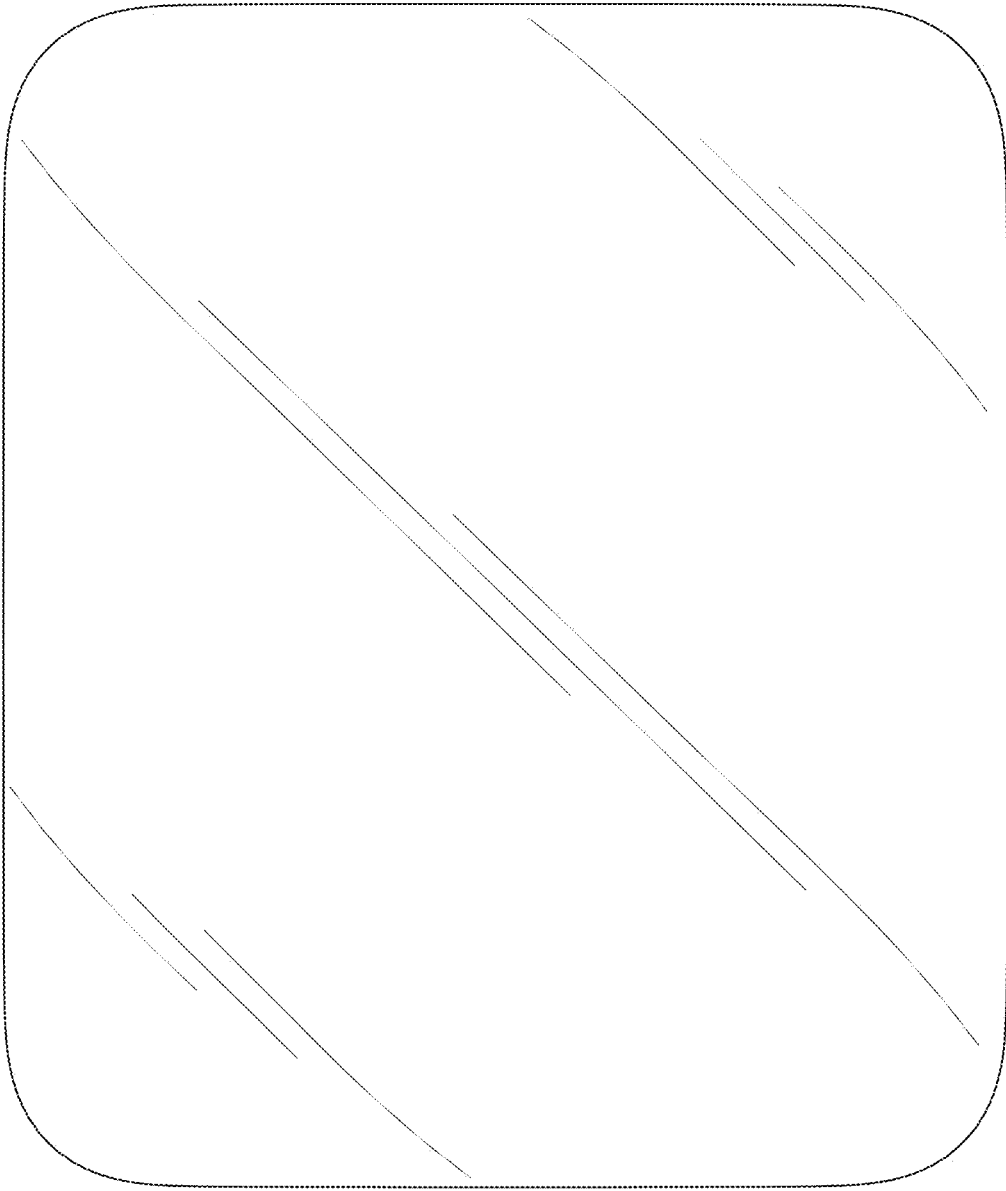


FIG. 3

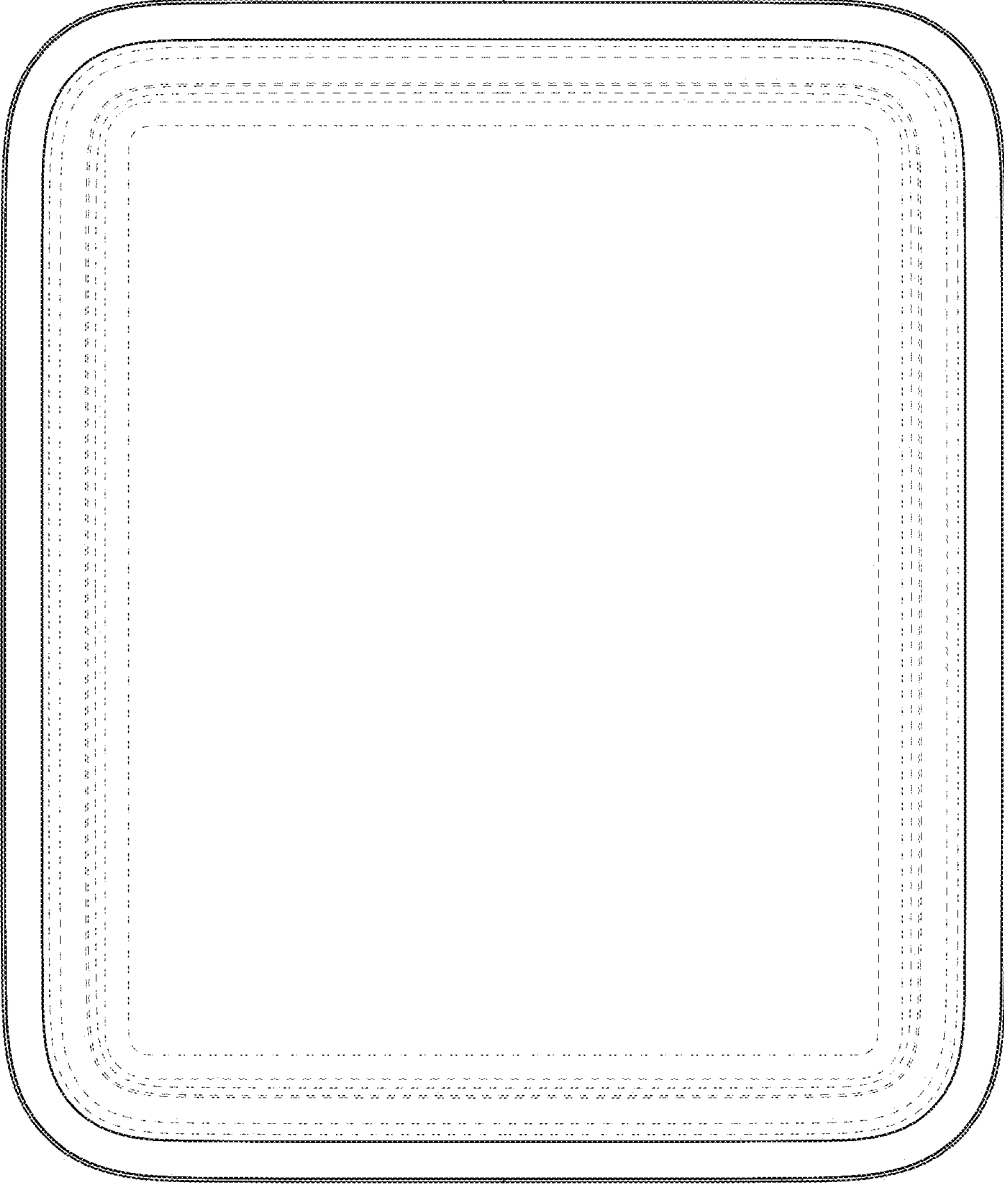


FIG. 4



FIG. 5

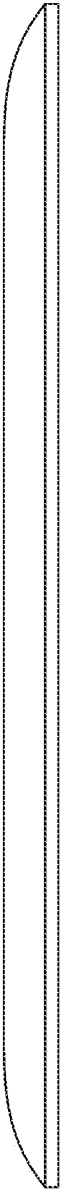


FIG. 6

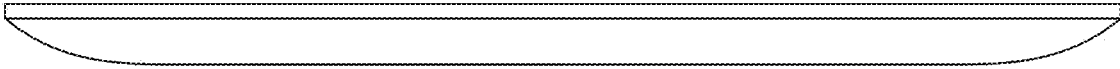


FIG. 7



FIG. 8