



US00D478154S

(12) **United States Design Patent** (10) **Patent No.:** **US D478,154 S**
Ouyoung (45) **Date of Patent:** **** Aug. 5, 2003**

(54) **FAUCET BASE**
(75) Inventor: **Scott Ouyoung**, Taichung (TW)
(73) Assignee: **Globe Union Industrial Corp.**,
Taichung (TW)
(**) Term: **14 Years**
(21) Appl. No.: **29/170,483**
(22) Filed: **Nov. 7, 2002**
(51) **LOC (7) Cl.** **23-01**
(52) **U.S. Cl.** **D23/249**
(58) **Field of Search** D23/238-243,
D23/250-257; 4/675-678; 137/801

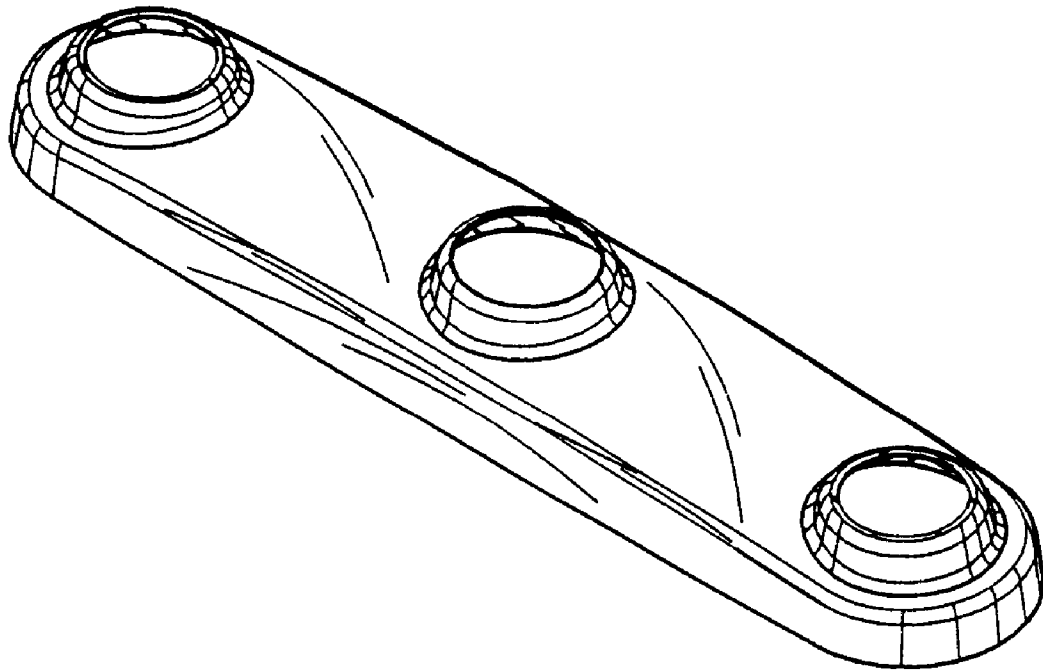
(56) **References Cited**
U.S. PATENT DOCUMENTS
D360,379 S * 7/1995 Doughty et al. D23/241
D374,708 S * 10/1996 Doughty et al. D23/243
D376,414 S * 12/1996 Doughty et al. D23/241

D413,652 S * 9/1999 Ko D23/242
* cited by examiner
Primary Examiner—Louis S. Zarfes
Assistant Examiner—Gregory Andoll
(74) *Attorney, Agent, or Firm*—Leong C. Lei

(57) **CLAIM**
The ornamental design for a faucet base, as shown and described.

DESCRIPTION
FIG. 1 is perspective view of a faucet base showing my new design;
FIG. 2 is a front side elevation view thereof;
FIG. 3 is a left side elevation view thereof;
FIG. 4 is a right side elevation view thereof;
FIG. 5 is a rear side elevation view thereof;
FIG. 6 is a top plan view thereof; and,
FIG. 7 is a bottom plan view thereof.

1 Claim, 4 Drawing Sheets



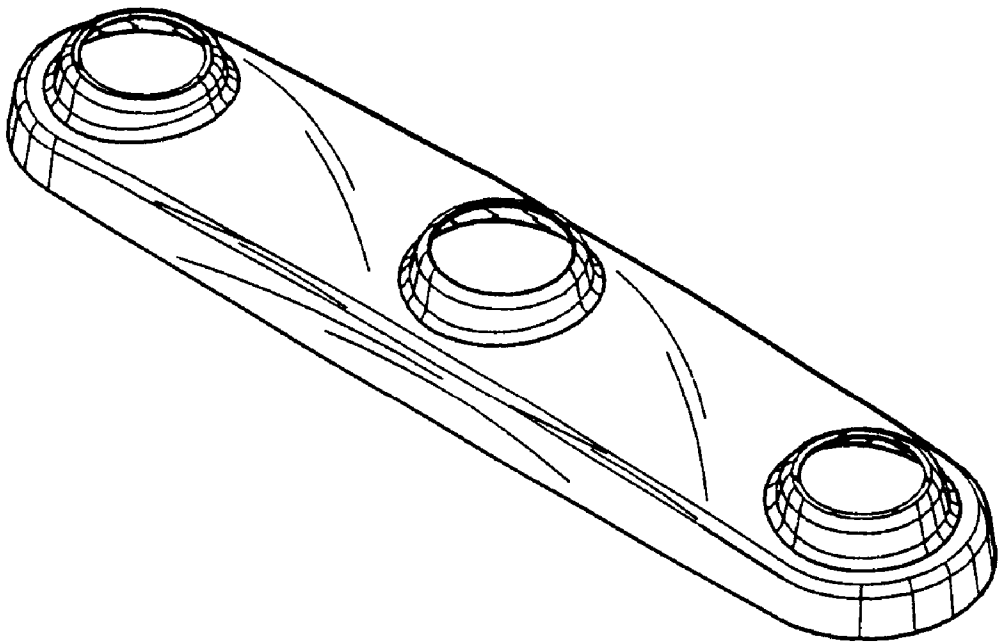


FIG. 1



FIG. 2



FIG. 5

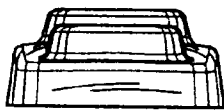


FIG. 3



FIG. 4

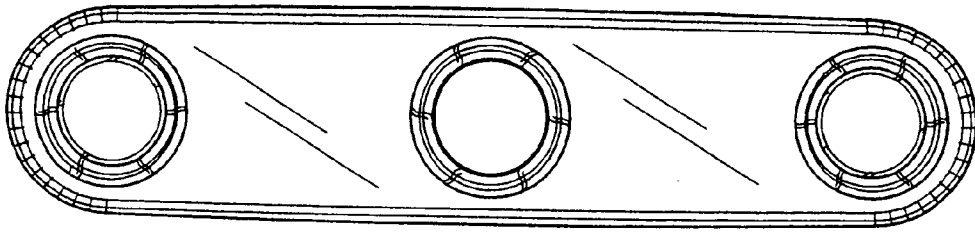


FIG. 6

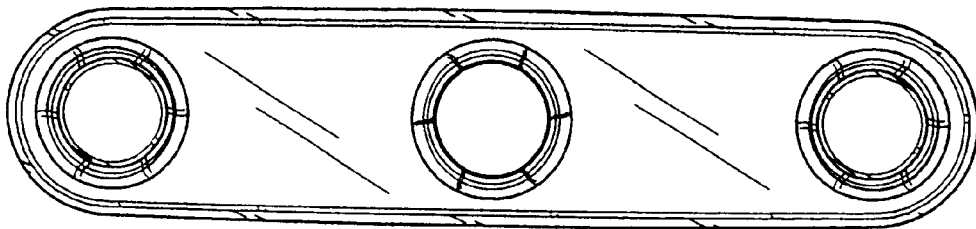


FIG. 7