



US00D505202S

(12) **United States Design Patent**
Chesnin

(10) **Patent No.:** **US D505,202 S**

(45) **Date of Patent:** **** May 17, 2005**

(54) **CATHETER HUB**

(75) Inventor: **Kenneth Chesnin**, Philadelphia, PA (US)

(73) Assignee: **Medical Components, Inc.**, Harleysville, PA (US)

(**) Term: **14 Years**

(21) Appl. No.: **29/201,149**

(22) Filed: **Mar. 11, 2004**

(51) **LOC (7) Cl.** **24-04**

(52) **U.S. Cl.** **D24/129; D24/130**

(58) **Field of Search** D24/112, 129, D24/130, 108, 222; 604/533, 246, 283, 177, 179, 180, 171, 172, 174, 534, 535, 539, 284, 164, 96.01

(56) **References Cited**

U.S. PATENT DOCUMENTS

D251,734 S	*	5/1979	McCaw et al.	D24/129
D303,712 S	*	9/1989	Goldberg	D24/129
D459,802 S	*	7/2002	Cindrich	D24/130
6,689,096 B1	*	2/2004	Loubens et al.	604/96.01
6,719,727 B2		4/2004	Brimhall et al.		
D498,844 S	*	11/2004	Diamond et al.	D24/130

* cited by examiner

Primary Examiner—Ian Simmons

Assistant Examiner—Daniel Yu

(74) *Attorney, Agent, or Firm*—Joseph E. Maenner; Monte & McGraw, P.C.

(57) **CLAIM**

The ornamental design for a catheter hub, as shown and described.

DESCRIPTION

FIG. 1 is a perspective view of a catheter hub according to a first embodiment of the present invention.

FIG. 2 is a top view of the catheter hub shown in FIG. 1, with the bottom view being the same.

FIG. 3 is a right side view of the catheter hub shown in FIG. 1, with the left side view being the same.

FIG. 4 is a view from the distal end of the catheter hub shown in FIG. 1.

FIG. 5 is a view from the proximal end of the catheter hub shown in FIG. 1.

FIG. 6 is a perspective view of a catheter hub according to a second embodiment of the present invention.

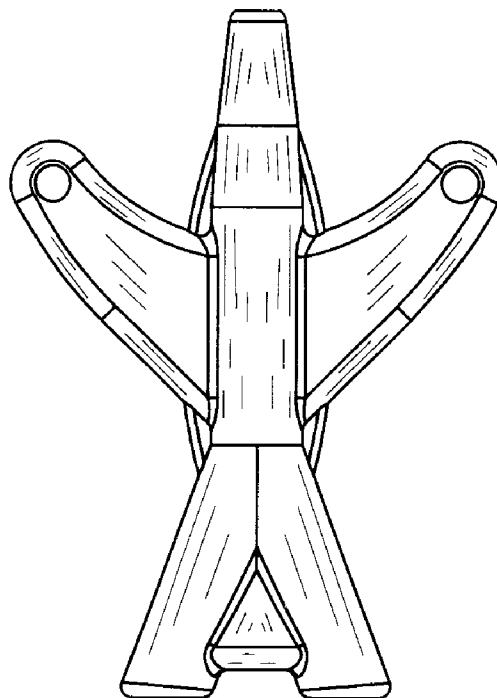
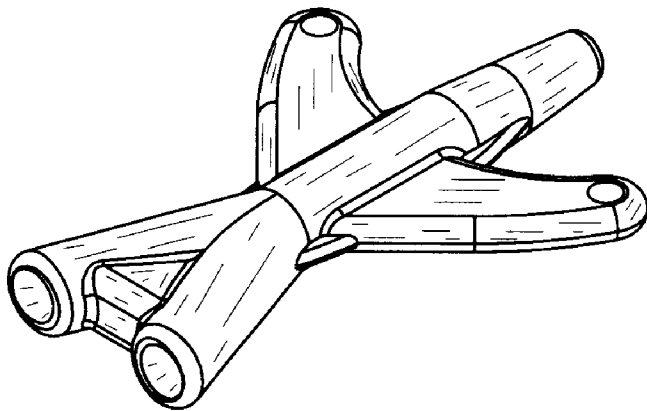
FIG. 7 is a top view of the catheter hub shown in FIG. 6, with the bottom view being the same.

FIG. 8 is a right side view of the catheter hub shown in FIG. 6, with the left side view being the same.

FIG. 9 is a view from the distal end of the catheter hub shown in FIG. 6; and,

FIG. 10 is a view from the proximal end of the catheter hub shown in FIG. 6.

1 Claim, 2 Drawing Sheets



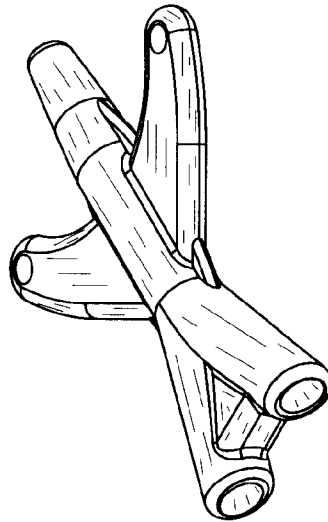


FIG. 1

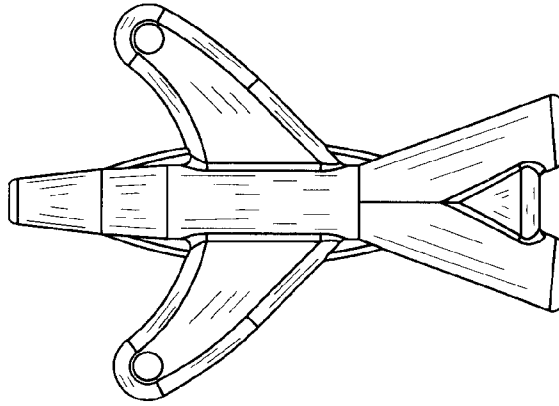


FIG. 2



FIG. 4



FIG. 3



FIG. 5



FIG. 9

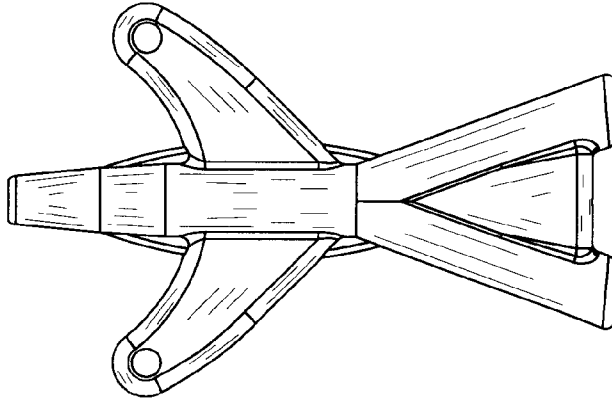


FIG. 7

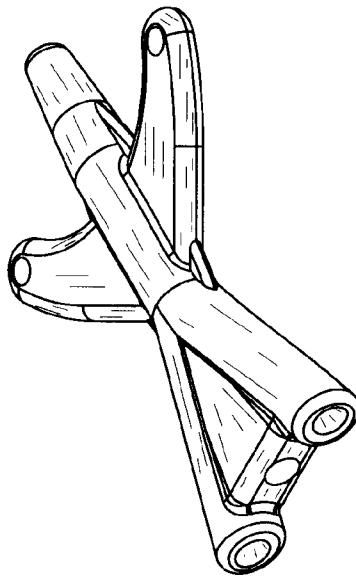


FIG. 6

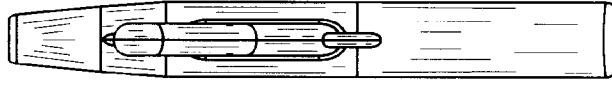


FIG. 8



FIG. 10