



US00D892515S

(12) **United States Design Patent**
Wang

(10) **Patent No.:** **US D892,515 S**

(45) **Date of Patent:** **** Aug. 11, 2020**

(54) **LAPTOP DESK**

(71) Applicant: **Chongyang Wang**, Hejian (CN)

(72) Inventor: **Chongyang Wang**, Hejian (CN)

(**) Term: **15 Years**

(21) Appl. No.: **29/731,859**

(22) Filed: **Apr. 18, 2020**

(51) **LOC (12) Cl.** **06-06**

(52) **U.S. Cl.**
USPC **D6/406.5**

(58) **Field of Classification Search**
USPC D6/406.1-406.6, 421-422; D19/91-92;
D7/552.2, 554.3-554.4
CPC A47B 23/00; A47B 23/001; A47B 23/002;
A47G 23/06; A47G 23/0608; A47G
23/0633

See application file for complete search history.

(56) **References Cited**

U.S. PATENT DOCUMENTS

3,181,483	A *	5/1965	Devitt	A47B 31/06
					108/25
D212,541	S *	10/1968	Taylor	D6/642
D355,786	S *	2/1995	Wolff	D6/406.5
D380,727	S *	7/1997	Gilstrap	D12/417
D404,219	S *	1/1999	Patterson	D6/406.5
D426,409	S *	6/2000	Clark	D6/406.5
D427,803	S *	7/2000	Walters-Dowding	D6/406.5

D428,729	S *	8/2000	Weitzman	D6/406.5
D455,025	S *	4/2002	Weitzman	D6/406.5
D512,245	S	12/2005	Bean et al.		
D550,477	S *	9/2007	Probst	D6/406.5
D624,922	S	10/2010	Hui		
D668,472	S *	10/2012	Wong	D6/406.5
D679,520	S *	4/2013	Wong	D6/406.5
D679,921	S *	4/2013	Kiechler	D6/406.5
D720,152	S	12/2014	Chauss et al.		
D781,062	S *	3/2017	Probst	D6/406.5
D785,361	S *	5/2017	Salisbury	D6/406.5
D840,708	S *	2/2019	Melaragno	D6/406.5

* cited by examiner

Primary Examiner — Kelley A Donnelly

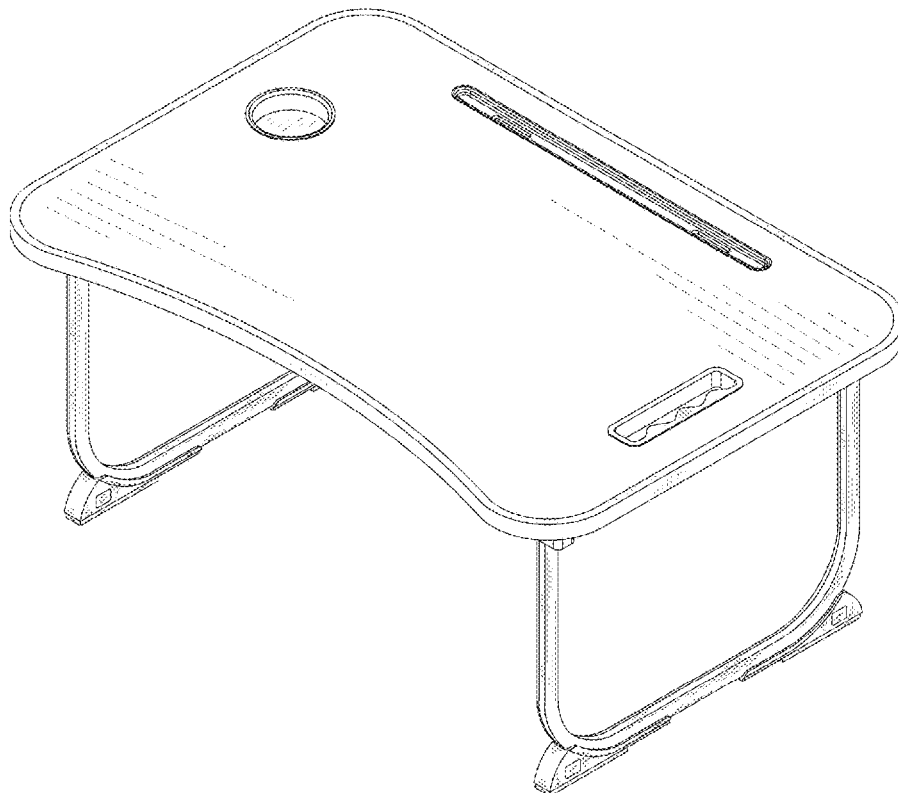
(57) **CLAIM**

The ornamental design for a laptop desk, as shown and described.

DESCRIPTION

FIG. 1 is a perspective view of a laptop desk showing my new design;
FIG. 2 is another perspective view thereof;
FIG. 3 is a front side view thereof;
FIG. 4 is a back side view thereof;
FIG. 5 is a left side view thereof;
FIG. 6 is a right side view thereof;
FIG. 7 is a top side view thereof; and,
FIG. 8 is a bottom side view thereof.
The broken lines in the drawing depict environmental subject matter only and form no part of the claimed design.

1 Claim, 8 Drawing Sheets



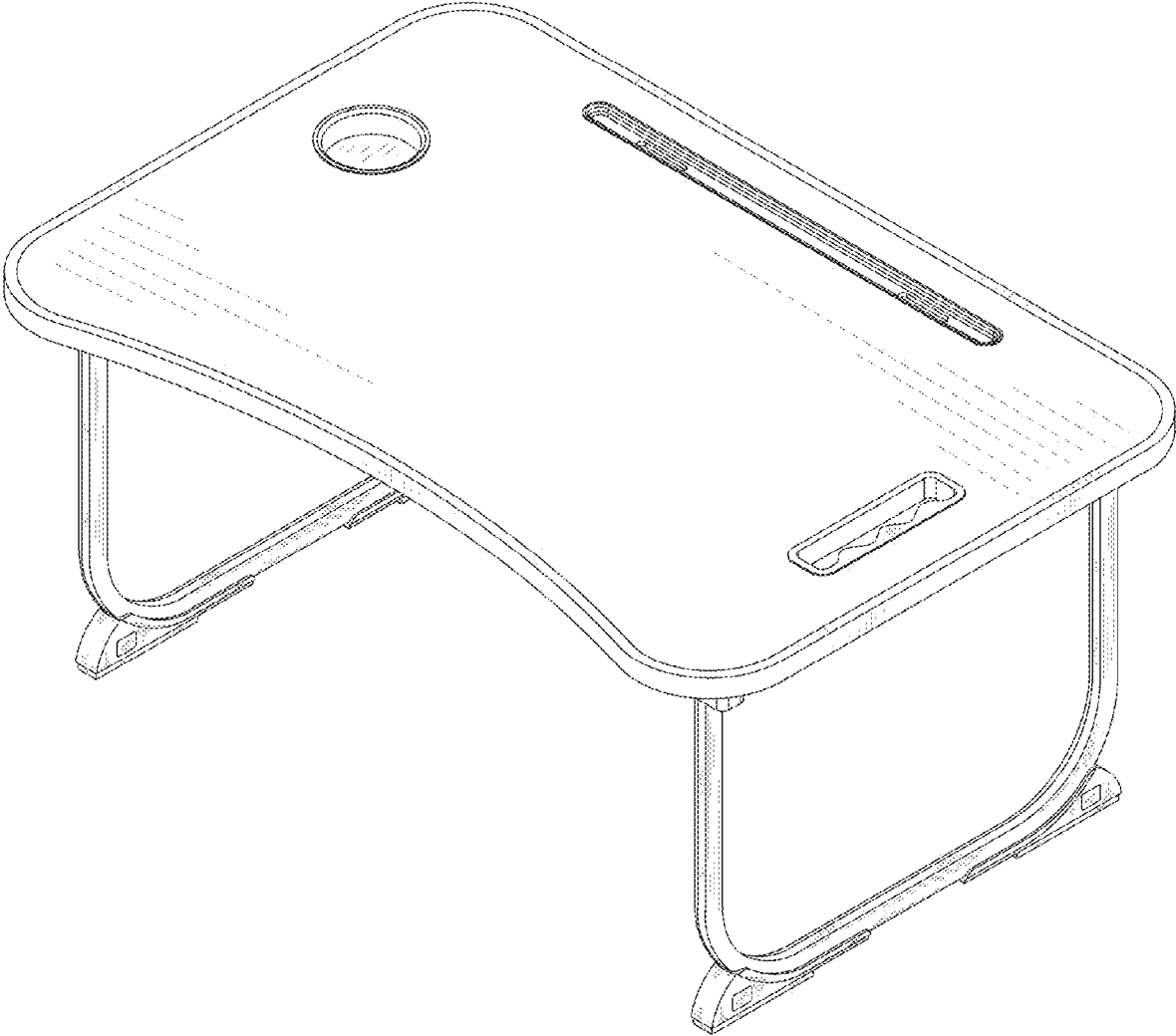


FIG.1

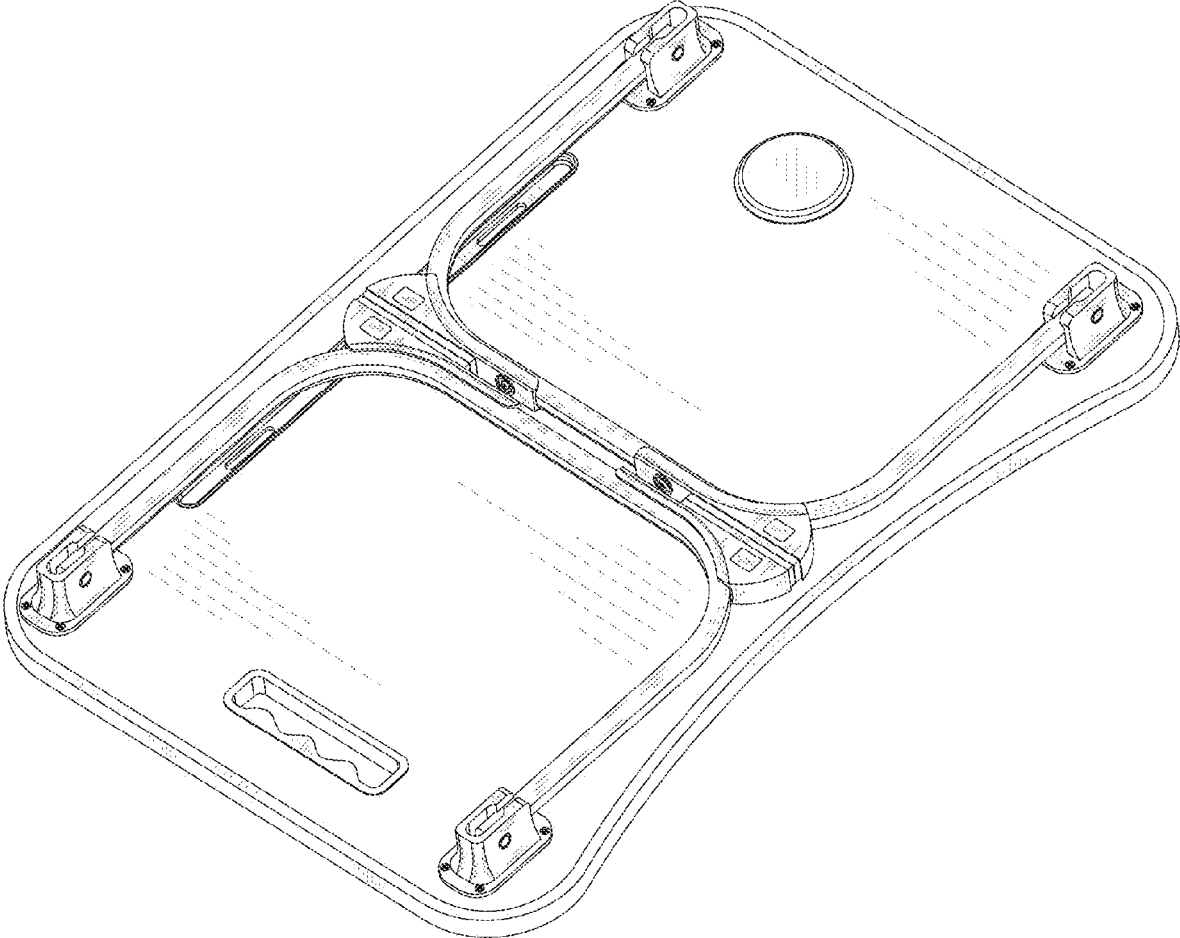


FIG.2

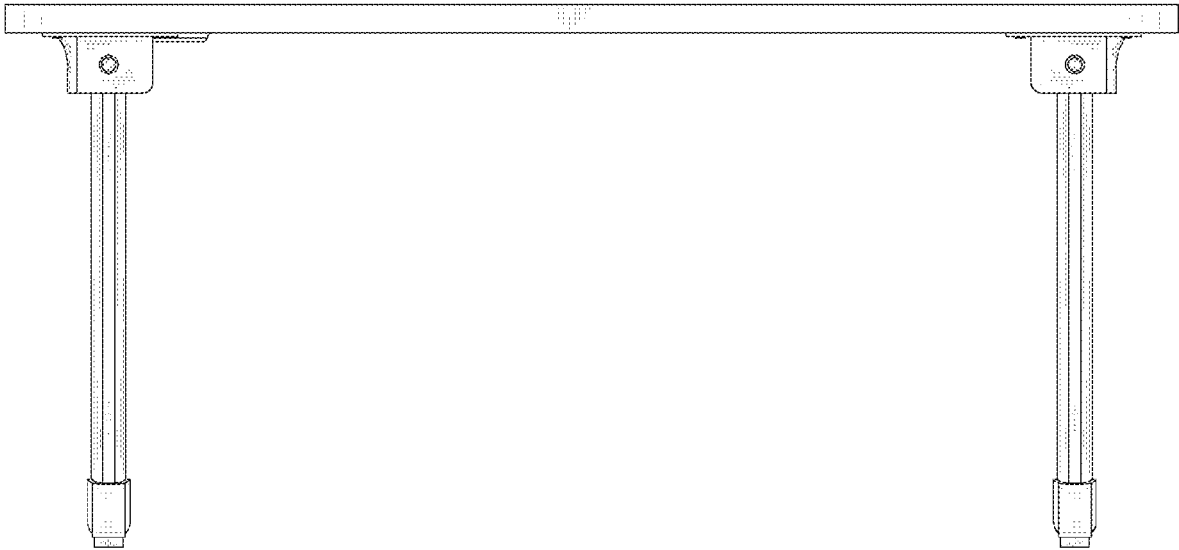


FIG.3

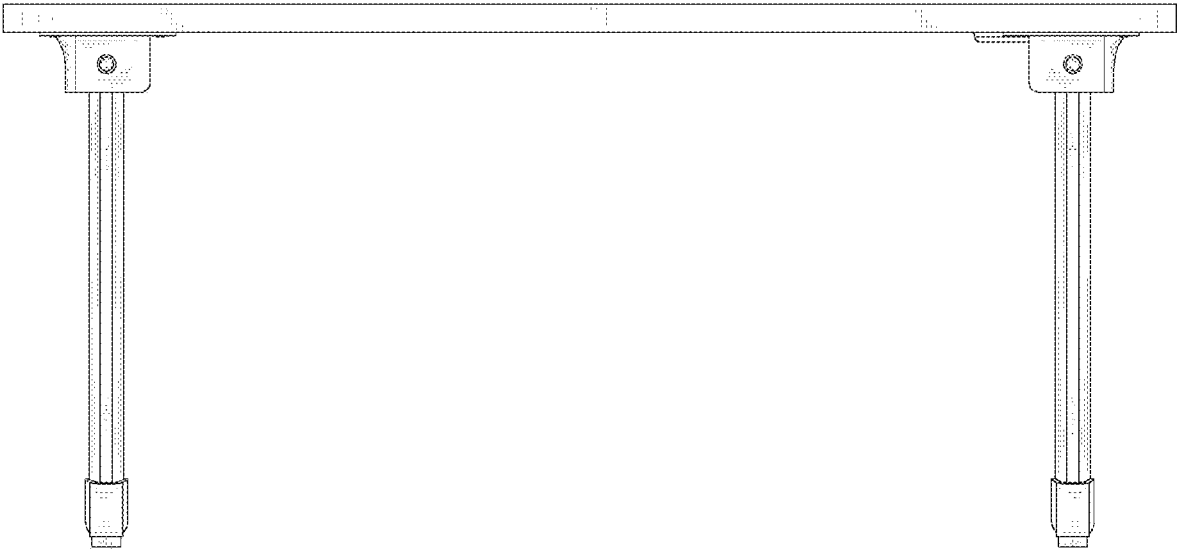


FIG. 4

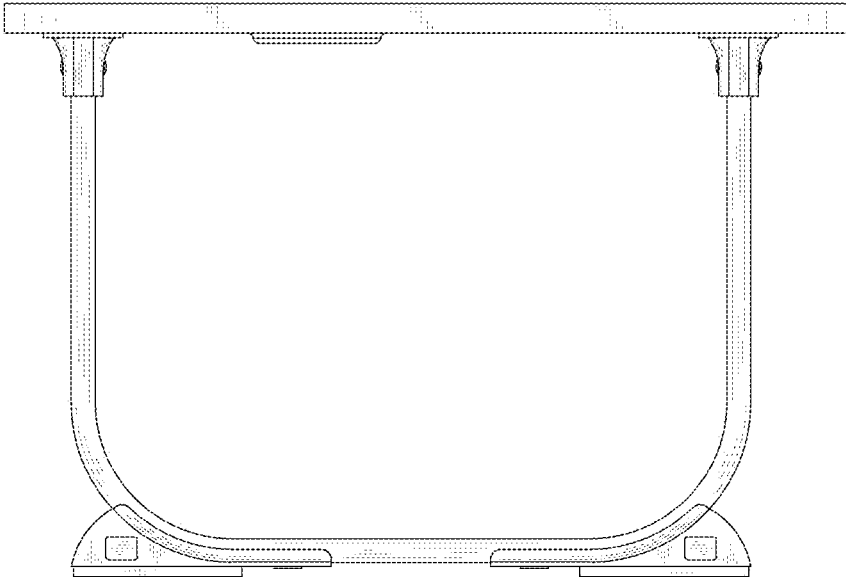


FIG.5

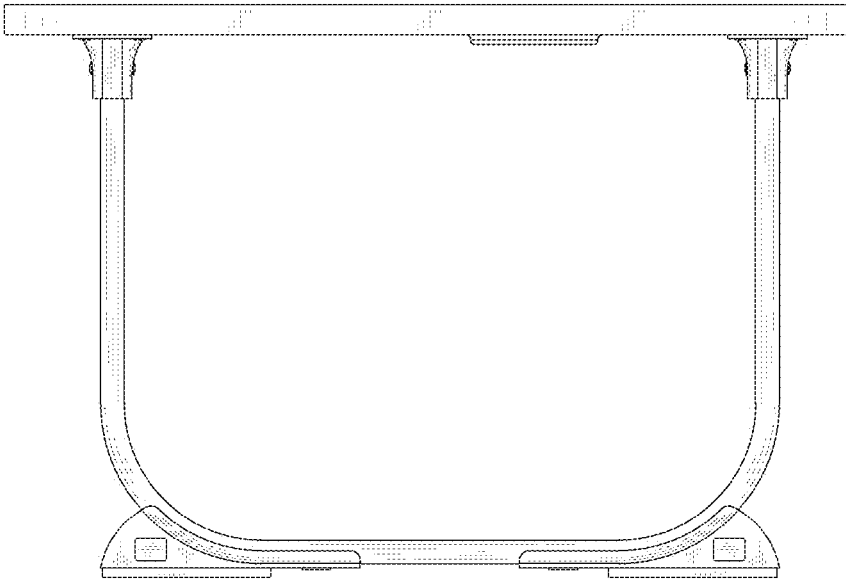


FIG.6

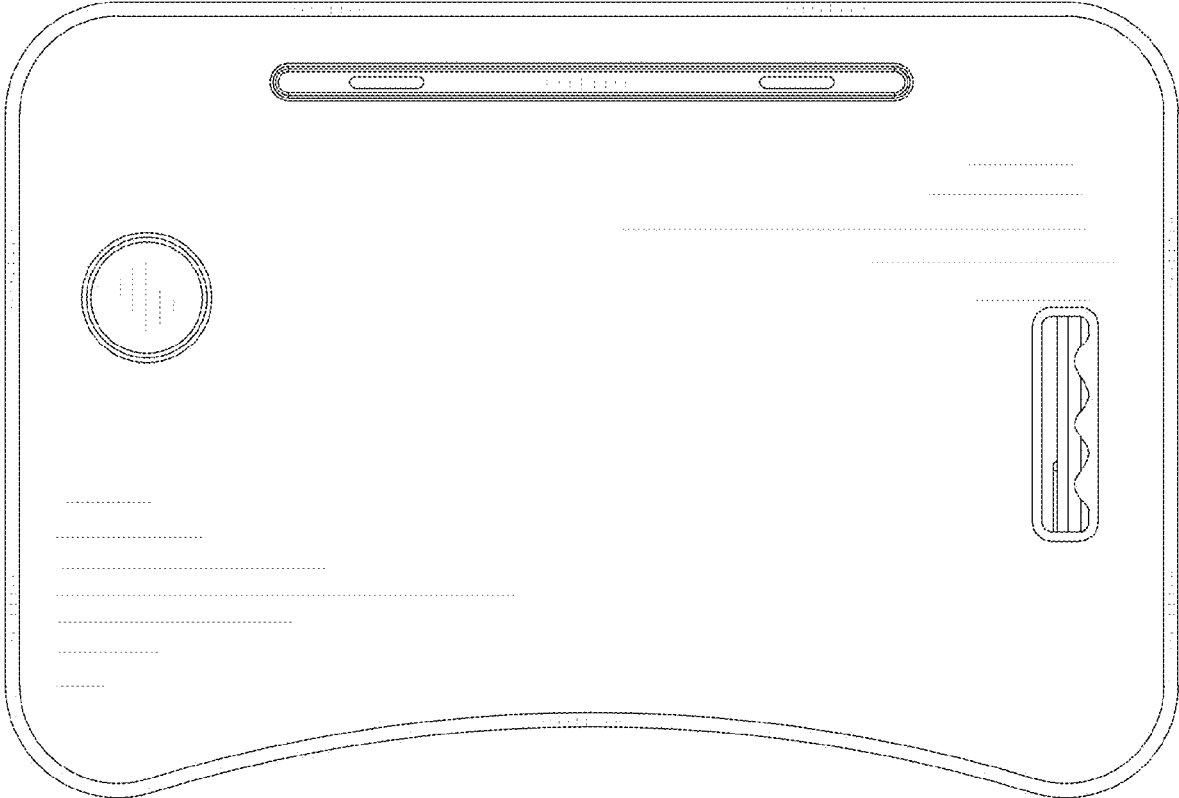


FIG. 7

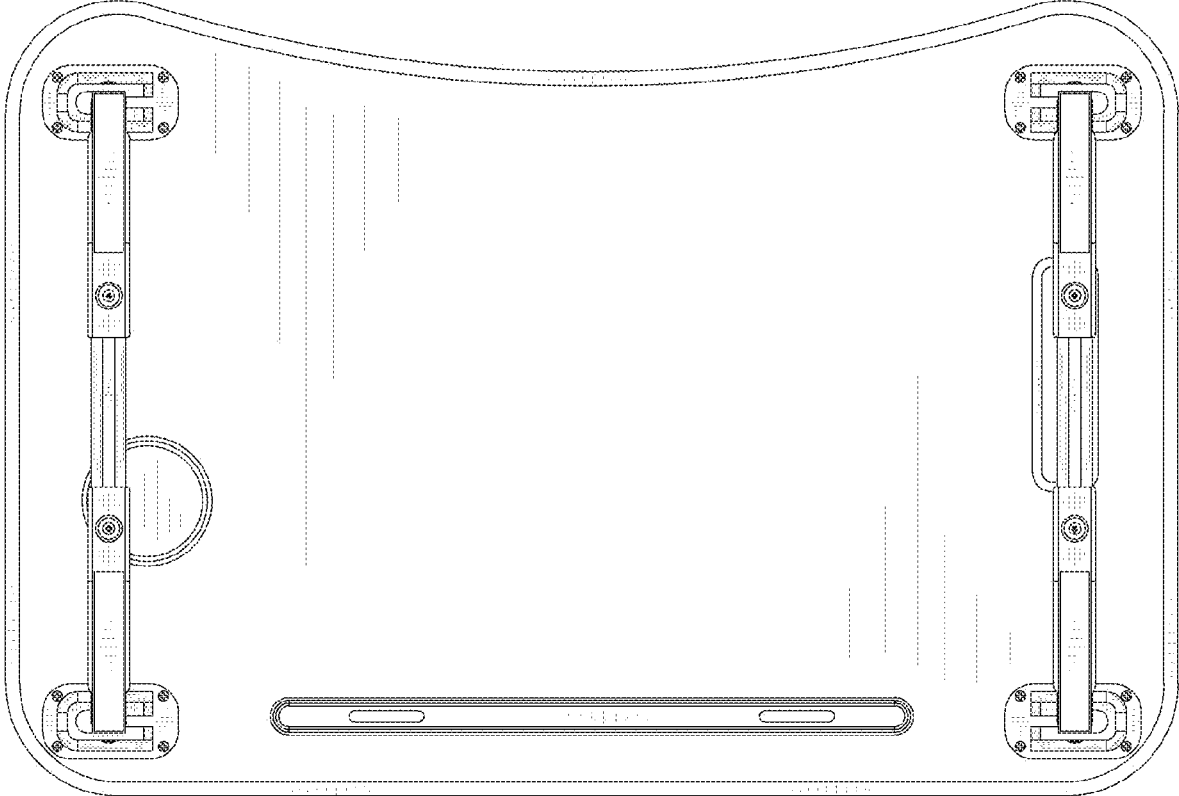


FIG.8