



US00D929378S

(12) **United States Design Patent**
Li

(10) **Patent No.:** **US D929,378 S**

(45) **Date of Patent:** **** Aug. 31, 2021**

(54) **EARPHONES**

(71) Applicant: **STB INTERNATIONAL LIMITED,**
Hong Kong (CN)

(72) Inventor: **Junfeng Li,** Shenzhen (CN)

(73) Assignee: **STB INTERNATIONAL LIMITED,**
Hong Kong (CN)

(**) Term: **15 Years**

(21) Appl. No.: **29/782,968**

(22) Filed: **May 10, 2021**

Related U.S. Application Data

(62) Division of application No. 29/746,306, filed on Aug. 13, 2020, now Pat. No. Des. 922,358.

(51) **LOC (13) Cl.** **14-01**

(52) **U.S. Cl.**
USPC **D14/223**

(58) **Field of Classification Search**

USPC D14/223, 205; D24/174; D13/108;
381/380, 381; 128/864, 865, 866;
455/90.3, 575.1, 569.1

CPC H04R 1/10; H04R 25/00; H04R 25/02;
H04R 1/1016; H04R 1/1066; H04R
5/033; H04R 5/0335; H04R 1/1091; H02J
7/0044; H02J 7/0045

See application file for complete search history.

(56) **References Cited**

U.S. PATENT DOCUMENTS

D666,581 S * 9/2012 Perez D14/223
D698,760 S * 2/2014 Lee D14/223
D711,356 S * 8/2014 Yang D14/223
D719,139 S * 12/2014 Henry D14/223
D719,550 S * 12/2014 Yang D14/223
D725,082 S * 3/2015 Palmborg D14/223

D726,145 S * 4/2015 Hsieh D14/205
D727,871 S * 4/2015 Orbach D14/205
D733,101 S * 6/2015 Pi D14/223
D733,102 S * 6/2015 Palmborg D14/223
D733,103 S * 6/2015 Jeong D14/224
D735,169 S * 7/2015 Shieh D14/223
D737,251 S * 8/2015 Thompson D14/223
D742,861 S * 11/2015 Miyake D14/223
D764,445 S * 8/2016 Czaniecki D14/223
D773,439 S * 12/2016 Walker D14/223
D777,710 S * 1/2017 Palmborg D14/223
D778,267 S * 2/2017 Hsieh D14/223
D781,269 S * 3/2017 Choe D14/223
D782,997 S * 4/2017 Shin D14/205
D782,998 S * 4/2017 Shin D14/205

(Continued)

FOREIGN PATENT DOCUMENTS

EM 004170959-0001 * 8/2017
EM 005668068-0001 * 9/2018

(Continued)

Primary Examiner — Paula Allen Greene

(57) **CLAIM**

The ornamental design for earphones, as shown and described.

DESCRIPTION

FIG. 1 is a perspective view of earphones showing my new design;

FIG. 2 is another perspective view thereof;

FIG. 3 is a front elevational view thereof;

FIG. 4 is a rear elevational view thereof;

FIG. 5 is a left side elevational view thereof;

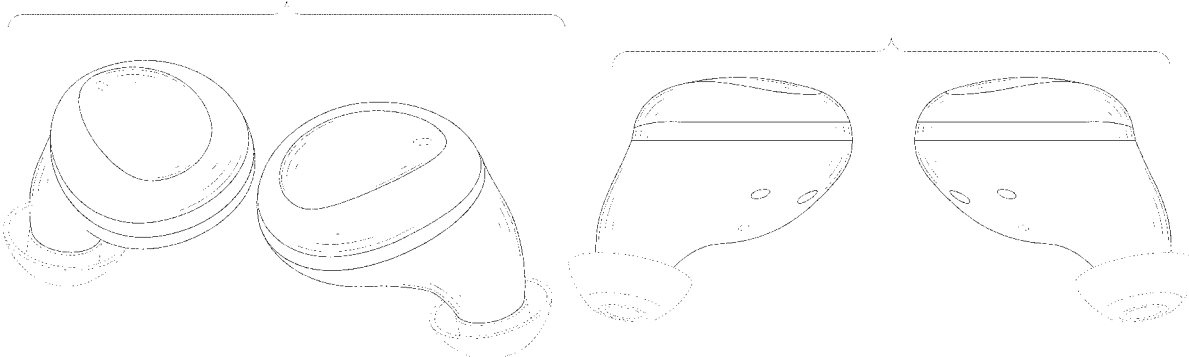
FIG. 6 is a right side elevational view thereof;

FIG. 7 is a top plan view thereof; and,

FIG. 8 is a bottom plan view thereof.

The broken lines in the drawings depict portions of the earphones that form no part of the claimed design.

1 Claim, 8 Drawing Sheets



(56)

References Cited

U.S. PATENT DOCUMENTS

D788,079 S * 5/2017 Son D14/223
 D795,225 S * 8/2017 Sumii D14/223
 D796,488 S * 9/2017 Yoshimura D14/223
 D798,843 S * 10/2017 Valenzuela D14/223
 D800,097 S * 10/2017 Chen D14/223
 D806,879 S * 1/2018 Horbinski D24/174
 D810,054 S * 2/2018 Yuan D14/223
 D813,206 S * 3/2018 Tang D14/223
 D817,309 S * 5/2018 Czaniecki D14/223
 D818,990 S * 5/2018 Tzeng D14/205
 D841,627 S * 2/2019 Wen D14/223
 D845,932 S * 4/2019 Lu D14/223
 D846,532 S * 4/2019 Xiao D14/223
 D847,126 S * 4/2019 Loermann D14/223
 D848,981 S * 5/2019 Kim D14/223
 D862,422 S * 10/2019 Lindenberger D14/223
 D862,424 S * 10/2019 You D14/223
 D863,263 S * 10/2019 Yu D14/223
 D864,167 S * 10/2019 Wu D14/223
 D868,752 S * 12/2019 Zhu D14/223
 D872,063 S * 1/2020 Arimoto D14/223
 D880,457 S * 4/2020 Zhu D14/223
 D882,553 S * 4/2020 Wu D14/223
 D883,958 S * 5/2020 Liu D14/223
 D883,960 S * 5/2020 Du D14/223
 D884,681 S * 5/2020 Zhang D14/223
 D887,395 S * 6/2020 Wang D14/223
 D889,441 S * 7/2020 Lin D14/223
 D890,724 S * 7/2020 Li D14/223
 D892,086 S * 8/2020 Bonahoom D14/223
 D892,769 S * 8/2020 Cai D14/223

D895,580 S * 9/2020 Yu D14/223
 D897,319 S * 9/2020 Wang D14/223
 D897,322 S * 9/2020 Wei D14/223
 D899,405 S * 10/2020 Vaclavik D14/223
 D900,064 S * 10/2020 Mazieres D14/223
 D902,182 S * 11/2020 Wang D14/223
 D902,185 S * 11/2020 Xian D14/223
 10,827,249 B1 * 11/2020 Pine H04R 1/1016
 D903,638 S * 12/2020 Li D14/223
 D905,664 S * 12/2020 He D14/223
 D906,292 S * 12/2020 Wang D14/223
 D908,667 S * 1/2021 He D14/223
 D917,425 S * 4/2021 Wang D14/223
 D920,958 S * 6/2021 Ye D14/223
 D922,358 S * 6/2021 Li D14/223
 2012/0087511 A1 * 4/2012 Lumsden A61F 11/08
 381/74
 2014/0064548 A1 * 3/2014 Chu H04R 1/1091
 381/380
 2015/0023541 A1 * 1/2015 Ho H04R 1/1058
 381/380
 2017/0151085 A1 * 6/2017 Chang H04R 1/1091
 2018/0060031 A1 * 3/2018 Boesen A61B 5/6803
 2018/0077484 A1 * 3/2018 Yeung H04R 1/1075
 2021/0006890 A1 * 1/2021 Zhang H04R 1/1066
 2021/0044885 A1 * 2/2021 Fukahori G06F 3/044
 2021/0099786 A1 * 4/2021 Sasaki H04R 1/1075

FOREIGN PATENT DOCUMENTS

EM 008089320-0001 * 8/2020
 EM 008534457-0001 * 5/2021

* cited by examiner

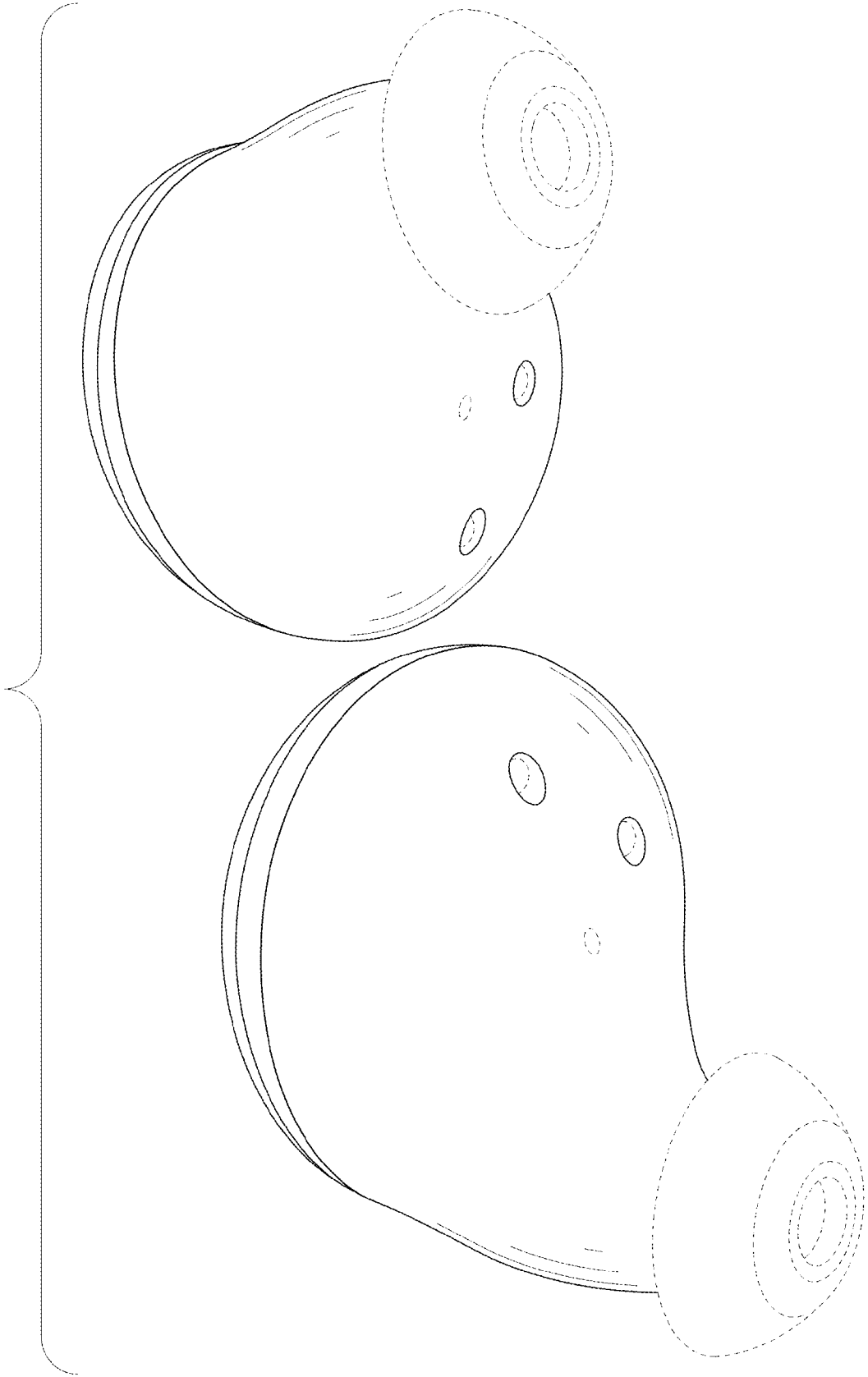


FIG. 1



FIG. 2

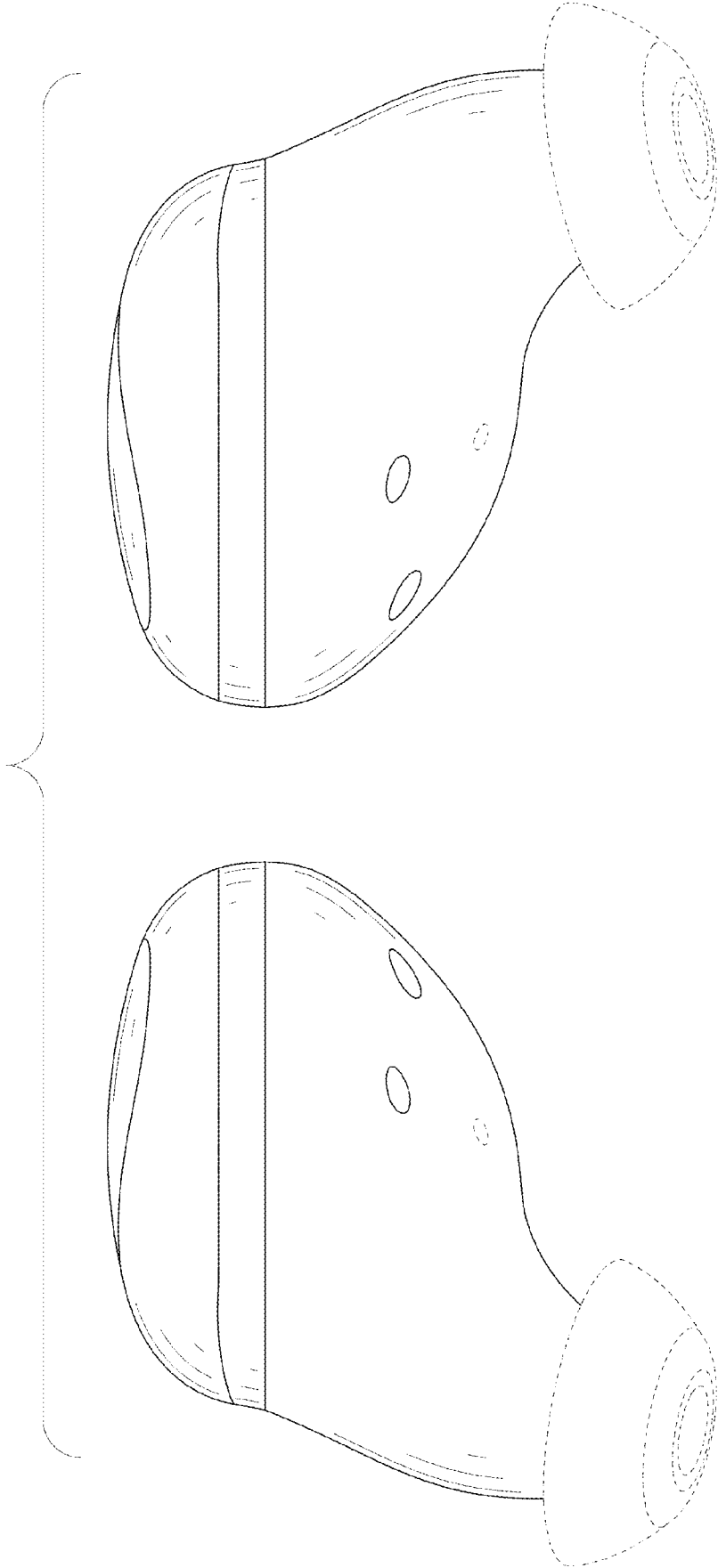


FIG. 3

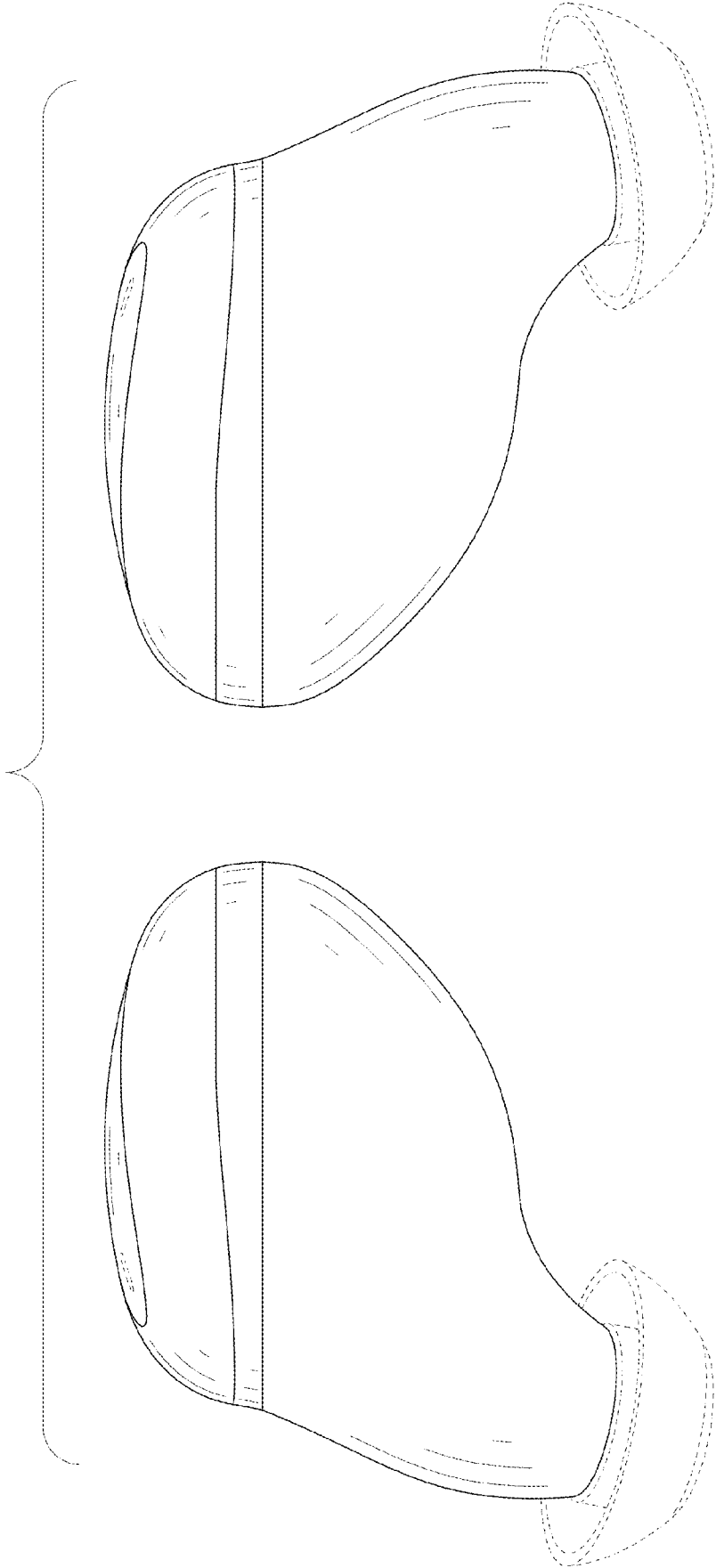


FIG. 4

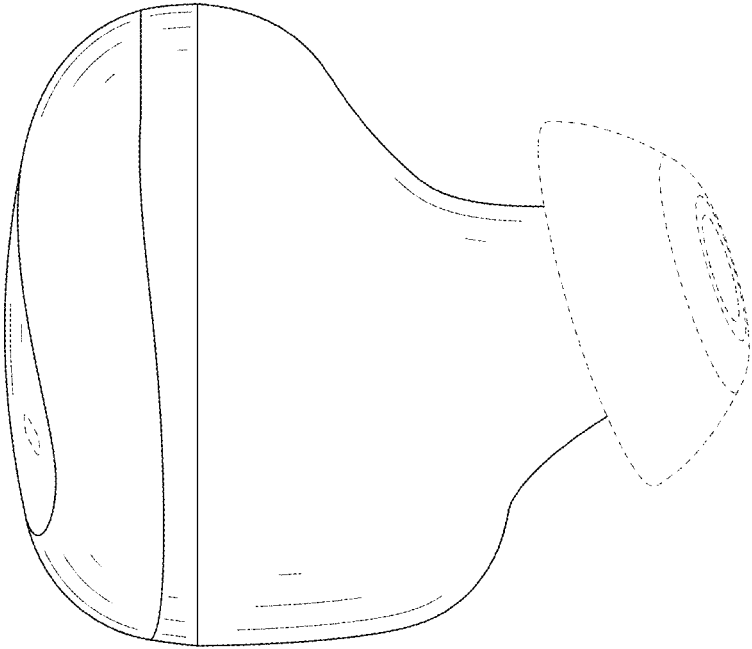


FIG. 5

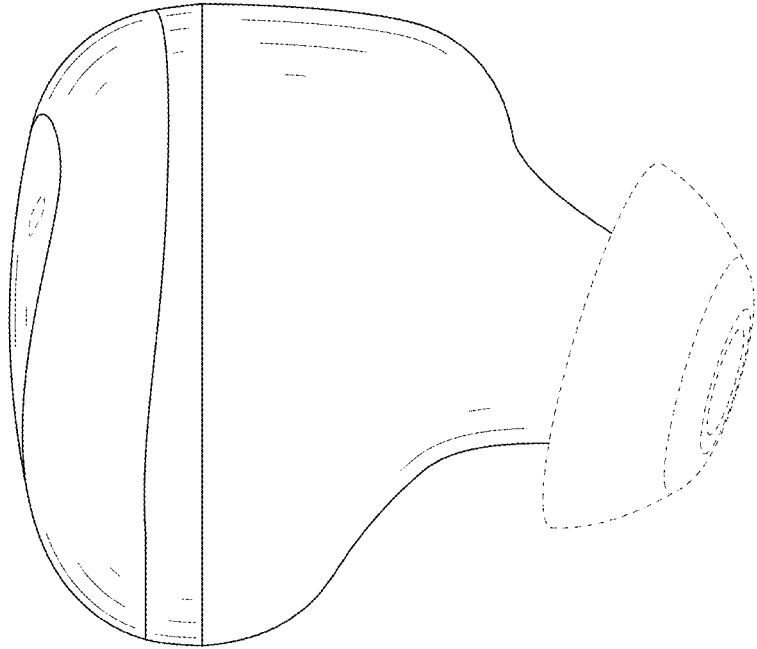


FIG. 6

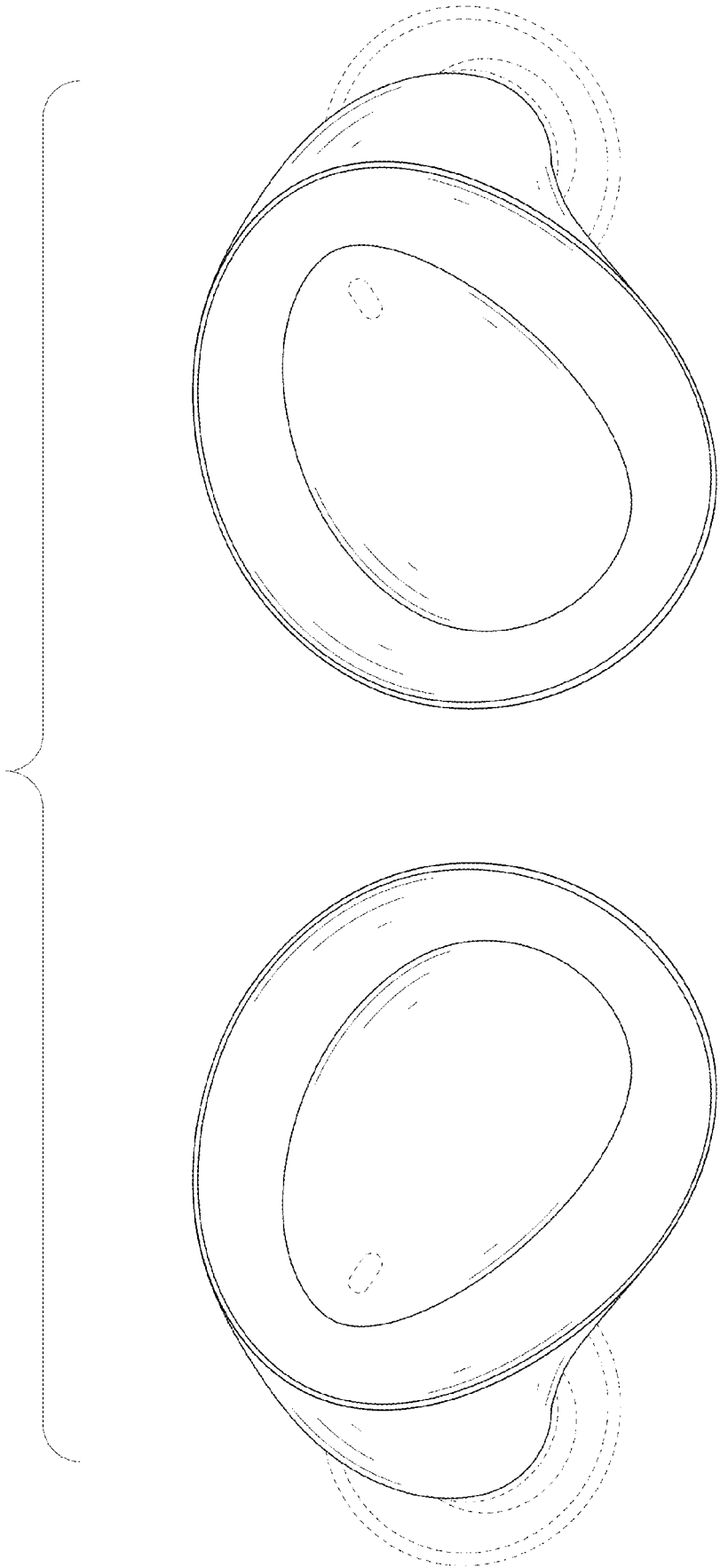


FIG. 7

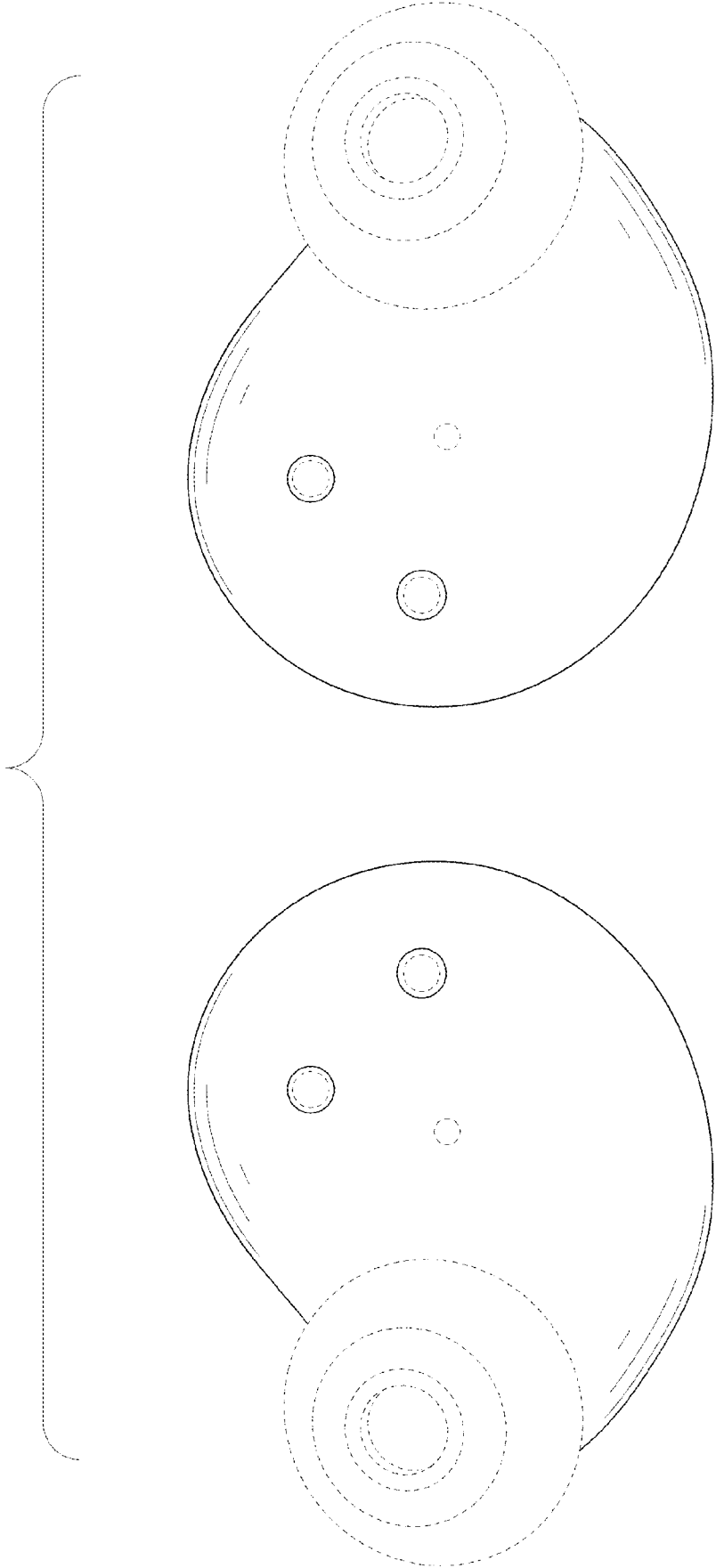


FIG. 8