



(12) **United States Design Patent**
Cao

(10) **Patent No.:** **US D889,171 S**
(45) **Date of Patent:** **** Jul. 7, 2020**

(54) **STORAGE AND CLOTHES RACK**
(71) Applicant: **Xin Cao**, Guangdong (CN)
(72) Inventor: **Xin Cao**, Guangdong (CN)
(**) Term: **15 Years**
(21) Appl. No.: **29/684,088**
(22) Filed: **Mar. 19, 2019**
(51) **LOC (12) Cl.** **20-02**
(52) **U.S. Cl.**
USPC **D6/681.2**
(58) **Field of Classification Search**
USPC D6/672, 675, 675.1, 675.2, 675.3, 675.4,
D6/675.5, 681, 681.1, 681.2, 681.3
CPC A47B 43/00; A47B 45/00; A47B 46/00;
A47B 47/00; A47B 47/021; A47B 61/02;
A47F 5/0031; A47F 5/01; A47F 5/10;
A47F 7/00; A47F 7/19; A47F 7/24
See application file for complete search history.

D474,350 S * 5/2003 Sardis D6/681.1
D475,551 S * 6/2003 Kelso D6/675.5
D491,742 S * 6/2004 Harwanko D6/681.1
D495,523 S * 9/2004 Harwanko D6/681.1
D495,524 S * 9/2004 Harwanko D6/681.1
D520,707 S * 5/2006 Phillips, II D34/19
7,077,277 B2 * 7/2006 Wang A47B 91/02
182/186.7
7,104,412 B2 * 9/2006 Yong D06F 57/06
211/206
D546,013 S * 7/2007 Pong D32/58
D548,482 S * 8/2007 Miklitarian D6/657
D550,983 S * 9/2007 Van Es D6/675.3
D602,713 S * 10/2009 Stukenberg D6/681.1
D613,965 S * 4/2010 Tertel D6/675.5
8,950,602 B2 * 2/2015 Fanourgiakis A47B 87/0215
211/175
D735,412 S * 7/2015 Coleman D28/54
D736,014 S * 8/2015 Tsai D6/675.2
D736,548 S * 8/2015 Hornsby D6/681.1
D745,794 S * 12/2015 Knoll D6/681
D749,879 S * 2/2016 Wall D6/680.3
D752,906 S * 4/2016 Gunderson D6/675.1

(Continued)

Primary Examiner — Steven J Czyz

(56) **References Cited**

U.S. PATENT DOCUMENTS

1,661,667 A * 3/1928 Mallach A47F 7/24
135/151
D131,907 S * 4/1942 Sarvis et al. D6/681
3,499,541 A * 3/1970 Mackie A47F 7/06
211/134
3,918,591 A * 11/1975 Cooper A47F 5/108
211/204
D288,755 S * 3/1987 Schoenig D6/681.1
D304,528 S * 11/1989 Handler D6/681.1
5,617,962 A * 4/1997 Chen A47G 25/0664
211/204
D456,167 S * 4/2002 Harwanko D6/548
D459,044 S * 6/2002 Felsenthal D32/66
D470,332 S * 2/2003 Clucas D6/675.5
D470,336 S * 2/2003 Malizia D6/672
D470,685 S * 2/2003 Chang D6/681.1

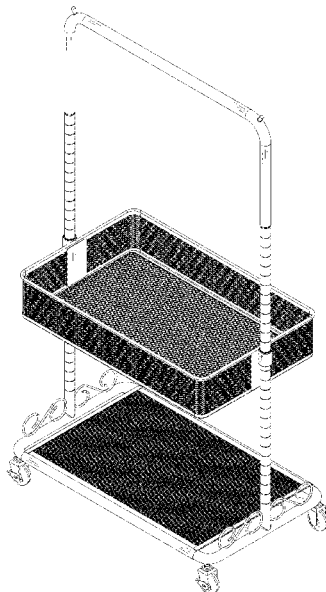
(57) **CLAIM**

The ornamental design for a storage and clothes rack, as shown.

DESCRIPTION

FIG. 1 is a front elevational view of a storage and clothes rack showing my new design;
FIG. 2 is a rear elevational view thereof;
FIG. 3 is a left side view thereof;
FIG. 4 is a right side view thereof;
FIG. 5 is a top plan view thereof;
FIG. 6 is a bottom plan view thereof;
FIG. 7 is a perspective view thereof; and,
FIG. 8 is another perspective view thereof.

1 Claim, 8 Drawing Sheets



(56)

References Cited

U.S. PATENT DOCUMENTS

D753,940 S * 4/2016 Ruiz D6/681
D785,381 S * 5/2017 Johnson D6/681
D785,979 S * 5/2017 Snider D6/675.1
D809,835 S * 2/2018 Greenspon D6/681
D819,374 S * 6/2018 Kuehn D6/681.2
D827,342 S * 9/2018 Stukenberg D6/681
D829,473 S * 10/2018 Mical D6/681
D839,641 S * 2/2019 Cao D6/675.2
D840,728 S * 2/2019 Hsu D6/675.2
D842,014 S * 3/2019 Qiu D6/681.2
10,264,878 B1 * 4/2019 Liu A47G 25/0664
10,292,491 B1 * 5/2019 Ke B62B 5/06
10,337,136 B1 * 7/2019 Fallah D06F 57/00
D860,689 S * 9/2019 Davis D6/672
D862,949 S * 10/2019 Ghiorghie D6/675.2
D871,116 S * 12/2019 Li D6/675.1
D871,117 S * 12/2019 Johnson D6/675.3
10,543,592 B2 * 1/2020 Esposito A47B 57/20
D874,191 S * 2/2020 Qi D6/664

* cited by examiner

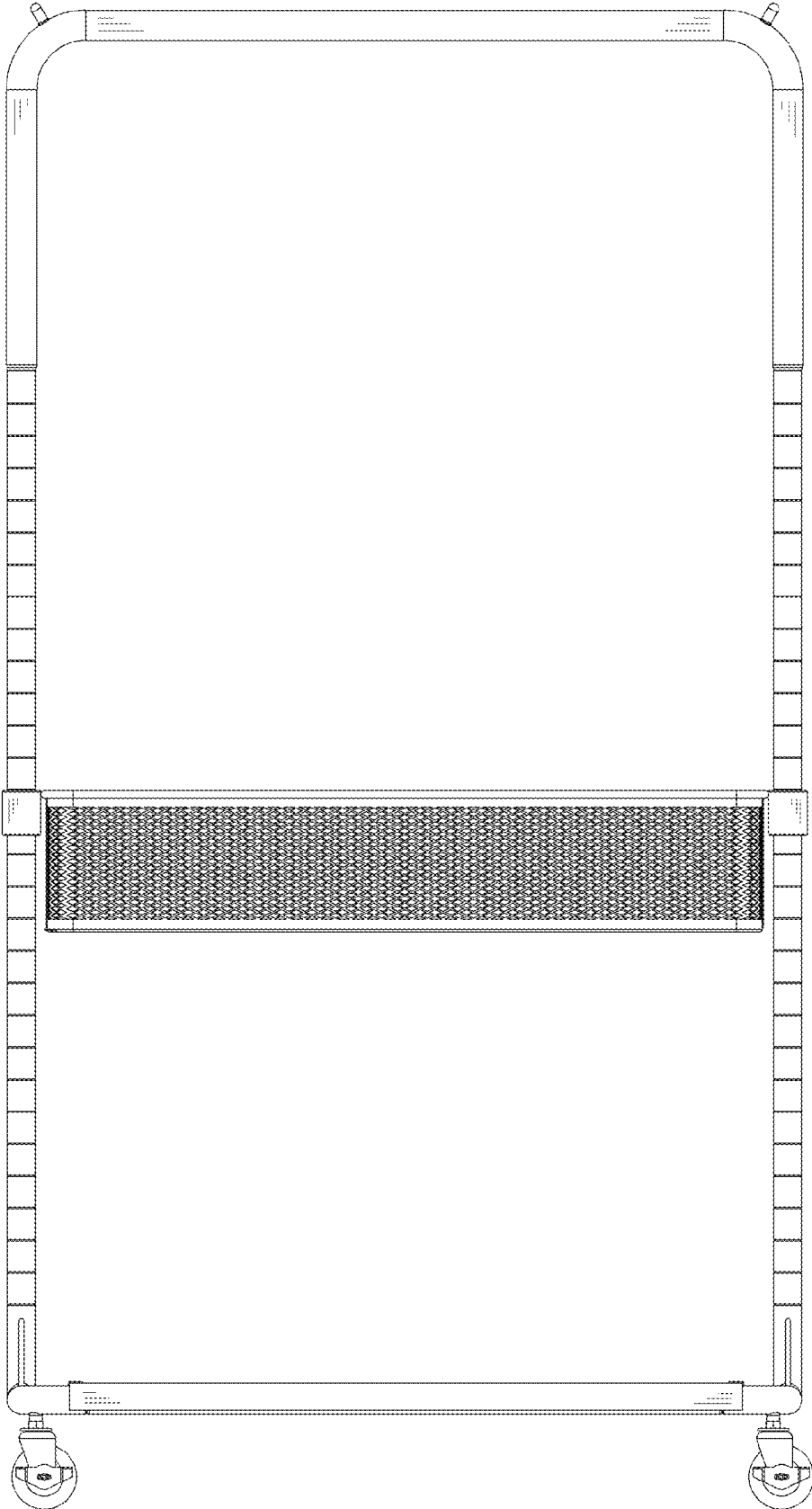


Fig. 1

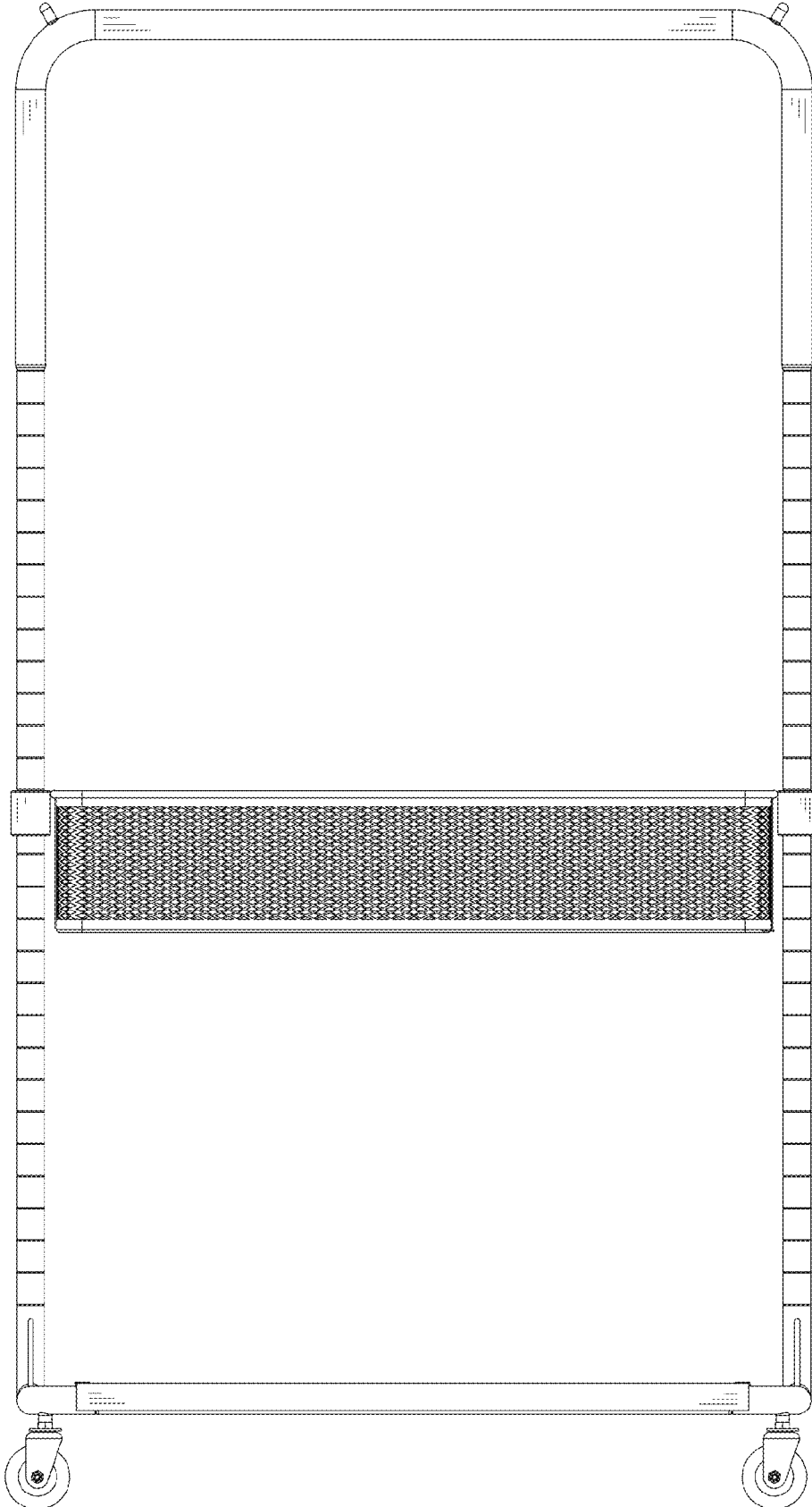


Fig. 2

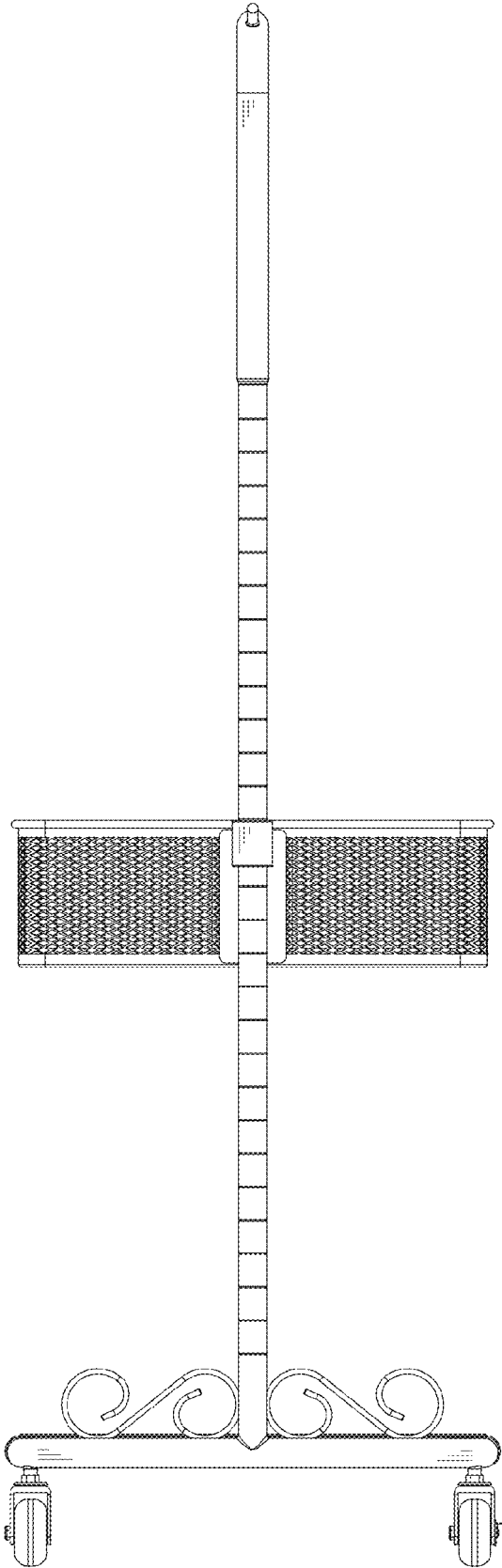


Fig. 3

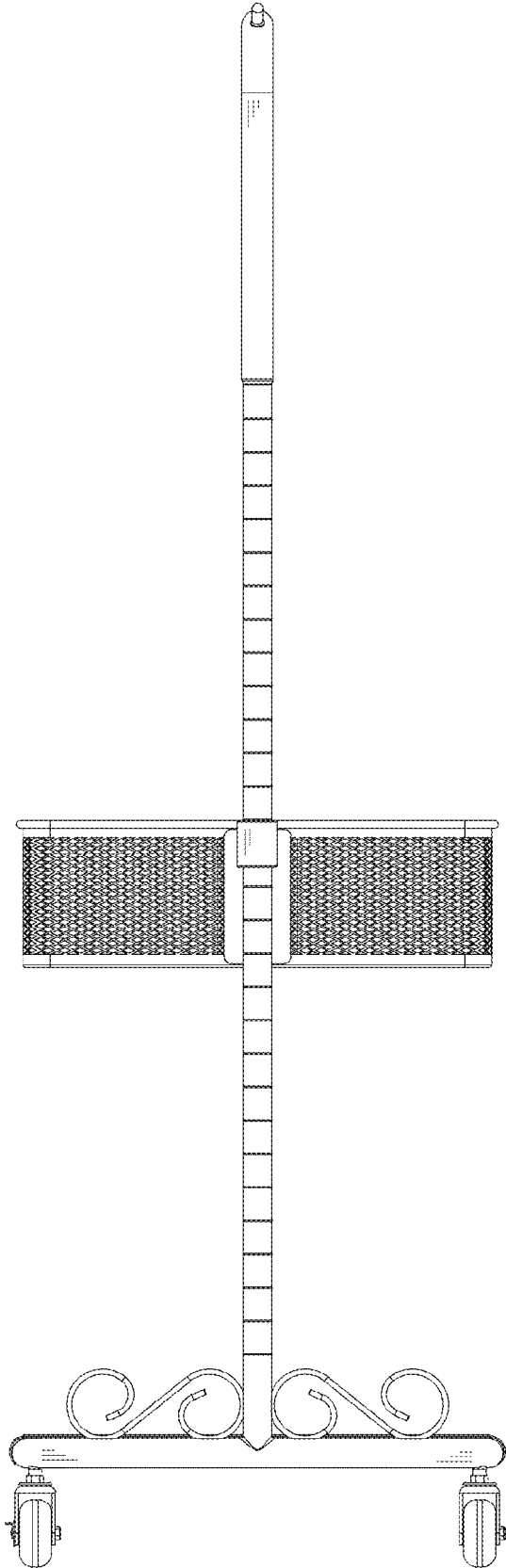


Fig. 4

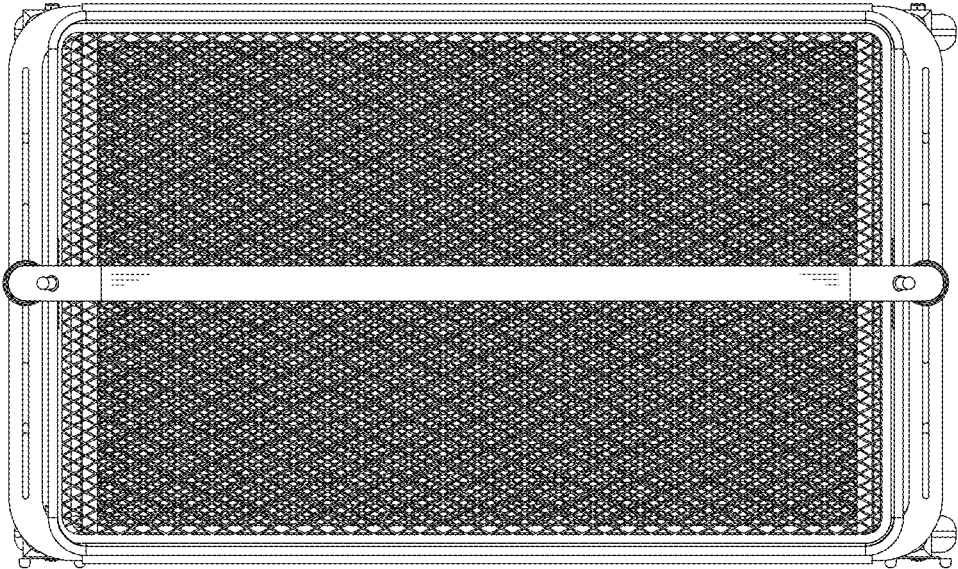


Fig. 5

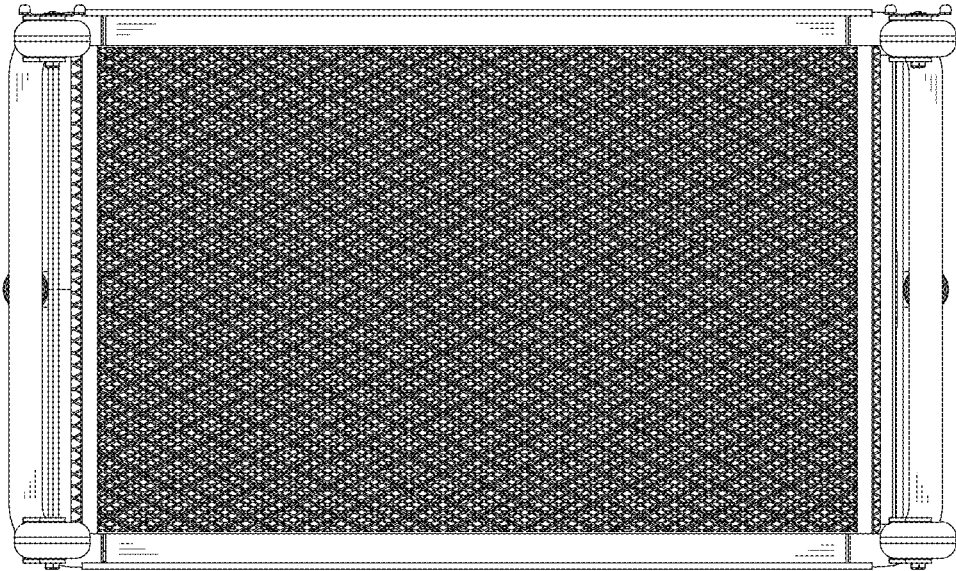


Fig. 6

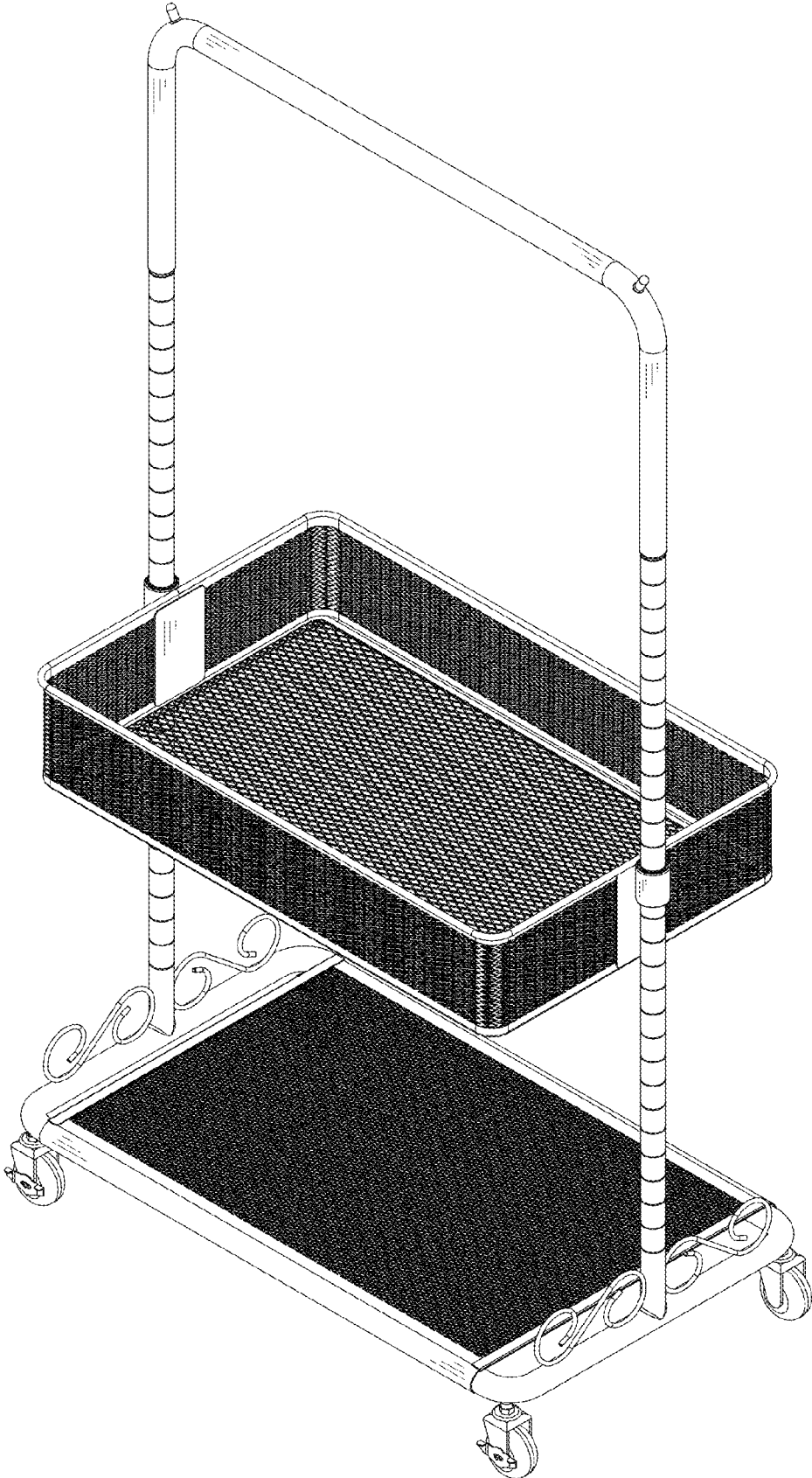


Fig. 7

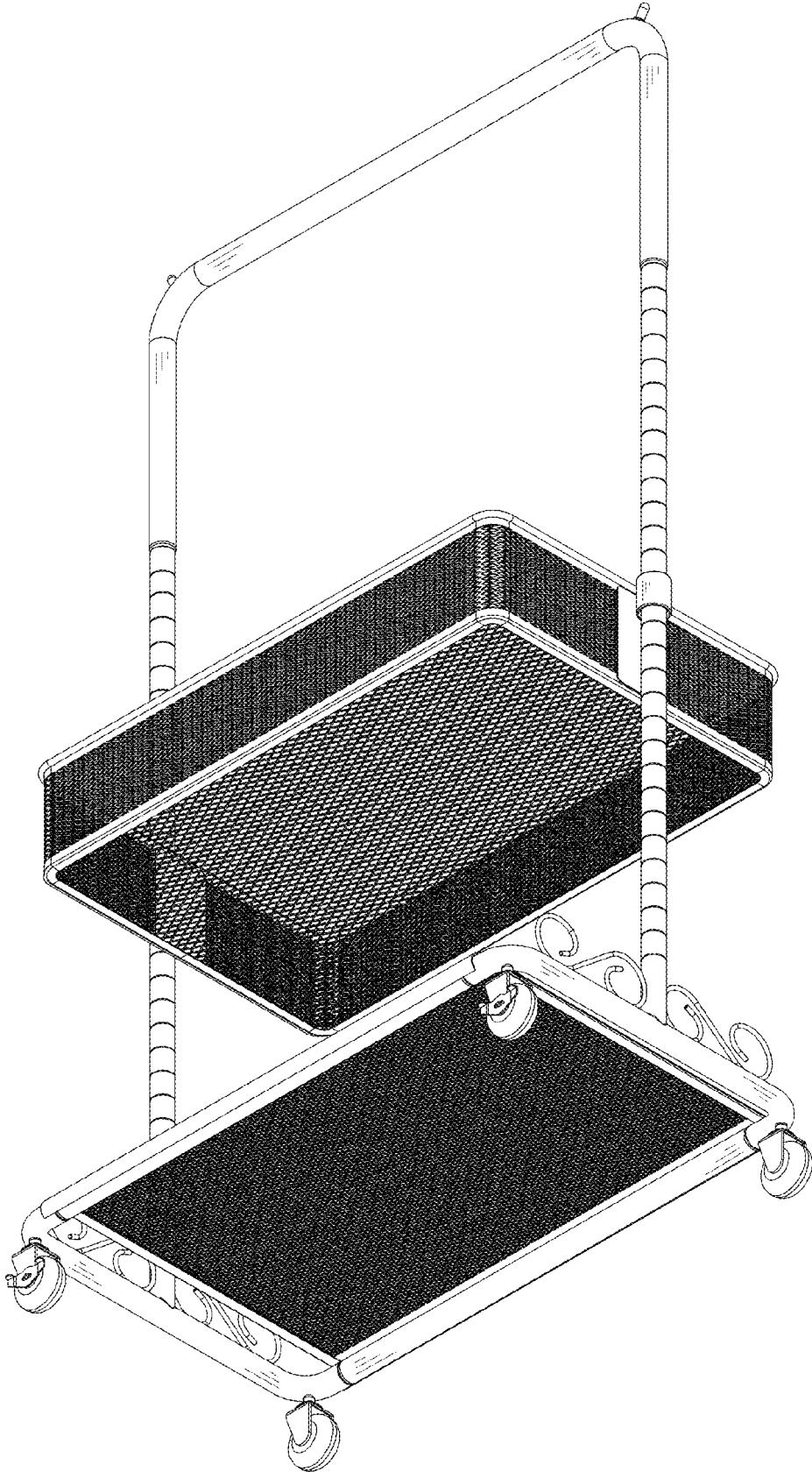


Fig. 8