



US00D679459S

(12) **United States Design Patent**
Matz et al.

(10) **Patent No.:** **US D679,459 S**

(45) **Date of Patent:** **** Apr. 2, 2013**

(54) **GROOMING TOOL**

(75) Inventors: **Andrea Matz**, Stanhope, NJ (US); **Ryan Rutherford**, Belleville, NJ (US); **Jonathan Willinger**, Tenafly, NJ (US)

(73) Assignee: **J.W. Pet Company, Inc.**, Teterboro, NJ (US)

(**) Term: **14 Years**

(21) Appl. No.: **29/376,371**

(22) Filed: **Oct. 6, 2010**

Related U.S. Application Data

(60) Continuation of application No. 29/358,392, filed on Mar. 26, 2010, now Pat. No. Des. 625,472, and a continuation of application No. 29/358,408, filed on Mar. 26, 2010, now Pat. No. Des. 625,473, and a continuation of application No. 29/333,964, filed on Mar. 18, 2009, now Pat. No. Des. 615,714, said application No. 29/358,392 is a division of application No. 29/333,964, said application No. 29/358,408 is a continuation of application No. 29/333,964.

(51) **LOC (9) Cl.** **30-99**

(52) **U.S. Cl.** **D30/158**

(58) **Field of Classification Search** D30/158, D30/159; D4/138, 132-137, 100-102, 122, D4/127, 119, 199; D8/106, 107; 401/28; 132/120, 121, 150, 152, 147, 148, 219, 139, 132/158, 161, 160, 149, 112-116, 125, 141-144, 132/137, 124, 901, 270, 126; 119/600, 601, 119/605, 606, 611-619, 625, 630, 632, 633; 15/50.1-50.3, 55, 57, 71, 77, 79.1, 104.002, 15/105, 106, 143.1, 142; 19/98; D28/25, D28/29, 30, 33-38, 21-24

See application file for complete search history.

(56) **References Cited**

U.S. PATENT DOCUMENTS

238,297 A 3/1881 Lawrence
441,136 A 11/1890 Clements

D20,486 S	1/1891	Thompson	
487,580 A	12/1892	Neuls	
1,663,468 A *	3/1928	Vaughn	132/124
1,852,362 A	4/1932	Newby	
2,150,260 A	3/1939	Berry	
D114,197 S	4/1939	Muller-Munk	
D142,930 S	11/1945	Adler	
D152,375 S	1/1949	Seley	
D154,134 S	6/1949	McMillen	
2,482,120 A	9/1949	Mishkinis	
D168,915 S	2/1953	Snyder	
2,630,594 A	3/1953	Fisher	
2,633,591 A	4/1953	Servilla	
D184,870 S *	4/1959	Heinrich	D28/25
2,918,686 A	12/1959	Rowland	
3,010,131 A	11/1961	Kisky	
D198,224 S	5/1964	Boldt	
D199,718 S	12/1964	Adler	
3,291,141 A *	12/1966	Quinio et al.	132/229

(Continued)

OTHER PUBLICATIONS

“Fine Comb” Drs Foster Catalogue p. 104, 2005. (1 page).*

(Continued)

Primary Examiner — Susan Moon Lee

(74) *Attorney, Agent, or Firm* — Katten Muchin Rosenman LLP

(57) **CLAIM**

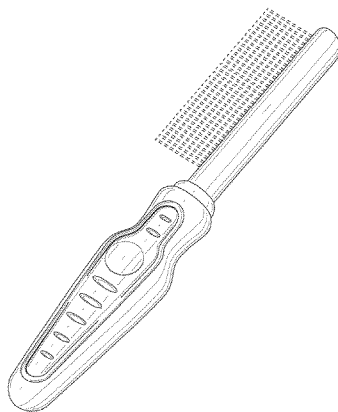
The ornamental design for a grooming tool, as shown and described.

DESCRIPTION

FIG. 1 is a perspective view of a grooming tool;
FIG. 2 is a front view thereof;
FIG. 3 is a rear view thereof;
FIG. 4 is a left side view thereof;
FIG. 5 is a right side view thereof;
FIG. 6 is a top view thereof; and,
FIG. 7 is a bottom view thereof.

The portions of the design that are shown in broken lines do not form part of the claimed design.

1 Claim, 4 Drawing Sheets



US D679,459 S

U.S. PATENT DOCUMENTS			
D209,724 S	*	12/1967	McNair D28/24
3,421,171 A		1/1969	Tsuruzawa
3,474,481 A		10/1969	Soleymani et al.
3,491,777 A		1/1970	Grosbard
D222,792 S		12/1971	Krusche et al.
D229,619 S		12/1973	Sleith
D235,170 S		5/1975	McNair
4,098,266 A		7/1978	Muchisky et al.
4,244,075 A		1/1981	Silver
D267,075 S		11/1982	Wadstrom
4,417,826 A		11/1983	Floros
4,456,815 A		6/1984	Andis
4,508,108 A		4/1985	Miyaoka
D285,252 S		8/1986	Audette
D288,987 S		3/1987	Bambury
D292,532 S		10/1987	Strongwater
4,720,883 A		1/1988	Sanchez
4,826,340 A		5/1989	Rothweiler et al.
4,841,590 A		6/1989	Terry et al.
D305,818 S		1/1990	Chen
D307,963 S		5/1990	Newman et al.
4,927,283 A		5/1990	Fitjer
D309,984 S		8/1990	Gingras
4,974,286 A		12/1990	Stowell et al.
4,998,836 A		3/1991	Scripnick
D318,157 S		7/1991	Perior
5,067,444 A		11/1991	Parker
D324,914 S		3/1992	Bucher
D331,288 S		11/1992	Yuen
D334,430 S		3/1993	Tsou
D335,171 S		4/1993	Lenci et al.
5,267,528 A		12/1993	Murieen
5,289,833 A	*	3/1994	McDonald 132/112
5,305,490 A		4/1994	Lundgren
5,322,382 A		6/1994	Hull et al.
5,385,532 A		1/1995	Shyu
5,388,700 A		2/1995	Per-Lee
5,392,483 A		2/1995	Heinzelman et al.
5,398,369 A		3/1995	Heinzelman et al.
D357,810 S		5/1995	Evans
5,421,765 A		6/1995	Lehmann et al.
5,435,039 A		7/1995	Taylor
5,454,659 A		10/1995	Vosbikian et al.
5,465,449 A		11/1995	Lewkowicz
D367,176 S		2/1996	Berti
D368,999 S		4/1996	Chen
5,503,109 A		4/1996	Sporn
D369,882 S		5/1996	McCarthy
D371,219 S		6/1996	Bouchez
D372,412 S		8/1996	Bradshaw
D373,904 S		9/1996	Vanderhoef et al.
5,584,088 A	*	12/1996	Pauldine 15/27
D381,483 S		7/1997	Hartman
D381,771 S		7/1997	Chern
5,673,455 A		10/1997	Per-Lee et al.
D387,484 S	*	12/1997	Hong D28/25
D388,535 S		12/1997	Per-Lee
D398,507 S		9/1998	Thompson et al.
D399,722 S		10/1998	Eidsmoe et al.
5,819,758 A		10/1998	Sohler
5,823,145 A		10/1998	Hingiss
D402,176 S		12/1998	Lauster et al.
D405,340 S		2/1999	Sullivan et al.
5,864,915 A		2/1999	Ra
D408,998 S		5/1999	Choi et al.
D410,789 S		6/1999	Cheng
D411,428 S		6/1999	Scott
D415,005 S		10/1999	Chen
5,996,231 A		12/1999	Roche et al.
6,006,393 A		12/1999	Lynch et al.
D424,747 S		5/2000	Chen
D426,916 S		6/2000	Ebert
D426,924 S		6/2000	Joiner et al.
D428,570 S		7/2000	Lamond et al.
D437,487 S		2/2001	Chen
D437,690 S		2/2001	Stevenson et al.
D439,051 S	*	3/2001	White D4/102
6,213,055 B1		4/2001	Willinger et al.
D442,446 S		5/2001	Hortnagl
6,250,833 B1		6/2001	Perry et al.
D444,925 S		7/2001	Monette
D445,969 S	*	7/2001	Lorenzo D30/159
6,279,582 B1		8/2001	Wang
D448,114 S		9/2001	Faust et al.
6,305,052 B1		10/2001	Sinclair
D452,044 S		12/2001	Goetschi
D453,420 S		2/2002	Offer et al.
D453,599 S		2/2002	Backman et al.
D454,432 S		3/2002	Ancona et al.
D460,272 S		7/2002	Fong
6,425,701 B1		7/2002	Jacobs
D461,279 S		8/2002	Angeletta
6,450,127 B2		9/2002	Willinger et al.
D465,930 S		11/2002	Offer et al.
D468,109 S		1/2003	Plante et al.
D473,343 S		4/2003	Carruba et al.
D473,682 S		4/2003	Plante et al.
6,543,388 B2		4/2003	Willinger et al.
6,543,954 B2		4/2003	Owings
D480,215 S		10/2003	Mastroianni
6,637,441 B2		10/2003	Kennedy et al.
D484,314 S		12/2003	Digioia
6,681,775 B2		1/2004	Wang
D485,990 S		2/2004	Wallace
D491,310 S		6/2004	Glucksman et al.
D492,119 S		6/2004	Hay
D493,569 S		7/2004	Angeletta
6,782,846 B1		8/2004	Porter
D497,450 S		10/2004	Scofield
D501,607 S		2/2005	Hay et al.
D502,300 S		2/2005	Suero
D502,568 S		3/2005	Longoria
D504,234 S		4/2005	Kuo et al.
D504,776 S		5/2005	Kuo et al.
D507,681 S	*	7/2005	Choi et al. D30/158
D510,483 S		10/2005	Kuo et al.
6,955,137 B2		10/2005	Dunn et al.
D515,737 S		2/2006	Angeletta
D516,244 S		2/2006	Efthimiadis et al.
D518,598 S		4/2006	Angeletta
D518,916 S		4/2006	Angeletta
D521,242 S		5/2006	Gaiti
D523,173 S		6/2006	Angeletta
D524,545 S		7/2006	Hinnant
D524,547 S		7/2006	Hay
D525,744 S		7/2006	Dibnah et al.
7,077,076 B2		7/2006	Porter et al.
D541,474 S		4/2007	Psimadas et al.
7,234,419 B2		6/2007	Hutchinson et al.
D548,976 S		8/2007	Hay
D549,411 S		8/2007	McNeeley et al.
D560,364 S		1/2008	Barnes et al.
D561,527 S		2/2008	Giannone
D565,258 S		3/2008	Porter et al.
D565,846 S		4/2008	Holcomb et al.
D575,528 S		8/2008	Libman et al.
D587,871 S		3/2009	van Deursen et al.
D588,308 S		3/2009	Wonderley
D591,953 S		5/2009	Krus et al.
7,631,646 B2	*	12/2009	Ragosta et al. 132/237
7,650,858 B2		1/2010	Porter et al.
D610,755 S		2/2010	Lin
D610,756 S		2/2010	Lin
D615,261 S		5/2010	Bunnag
D615,704 S		5/2010	Wonderley et al.
D615,706 S		5/2010	Lukan
D615,707 S		5/2010	Lukan
D615,714 S	*	5/2010	Matz et al. D30/158
7,717,067 B2		5/2010	Porter et al.
D625,473 S	*	10/2010	Matz et al. D30/159
2001/0011528 A1		8/2001	Willinger et al.
2001/0034920 A1		11/2001	Brown
2002/0040686 A1		4/2002	Willinger et al.
2004/0025897 A1	*	2/2004	Managed et al. 132/150
2004/0265042 A1		12/2004	Chan et al.
2005/0092340 A1		5/2005	Rijskamp
2005/0241594 A1	*	11/2005	Willinger et al. 119/625

2006/0010625	A1	1/2006	Tapper et al.	
2006/0032458	A1	2/2006	Hutchinson et al.	
2006/0037556	A1	2/2006	Porter	
2008/0078333	A1	4/2008	Wang	
2008/0115736	A1	5/2008	Porter et al.	
2009/0272332	A1*	11/2009	Lin	119/633

OTHER PUBLICATIONS

“Jeffers Non-Slip Comb”, Jeffers Catalogue p. 85, 2004 (1 page).*

“Shedding Comb”, Jeffers Catalogue p. 92, 2004 (1 page).*

“Ergonomic Fine Comb”, Drs Foster Catalogue p. 102, 2004 (1 page).*

Non-final Office Action dated Apr. 25, 2000 from corresponding U.S. Appl. No. 09/218,252.

Non-final Office Action dated Sep. 26, 2000 from corresponding U.S. Appl. No. 09/218,252.

Non-final Office Action dated Jun. 28, 2001 from corresponding U.S. Appl. No. 09/829,261.

Non-final Office Action dated Jun. 4, 2002 from corresponding U.S. Appl. No. 10/017,514.

(1) Jeffers Pet Catalogue, Jun. 2005, p. 85 (1 page). (2) Jeffers Pet Catalogue, Jun. 2007, pp. 92, 93, 131 (3 pages).

(1) Drs. Foster and Smith catalogue, 2002 issue, p. 105 (1 page). (2) Drs Foster and Smith catalogue, Dec. 2005 issue, p. 132 (1 page). (3) Drs. Foster and Smith catalogue, Jul. 2005, p. 102 (1 page).

(1) Care-a-Lot Pet catalogue, 2002 issue, p. 62 (1 page). (2) Care-a-Lot Pet catalogue, Oct. 2003 issue, p. 62 (1 page).

UPCO Catalogue, Fall 2005, pp. 34, 37 (2 pages).

J.B. Wholesale Pet Catalogue, Nov. 2006, p. 81 (1 page).

Cherrybrook Catalogue, Nov. 2006, p. 83 (1page).

Pet Solutions Catalogue, Sep. 2009, p. 31 (1page).

Non-Final Office Action dated Oct. 1, 2009 from corresponding U.S. Appl. No. 29/333,964.

* cited by examiner

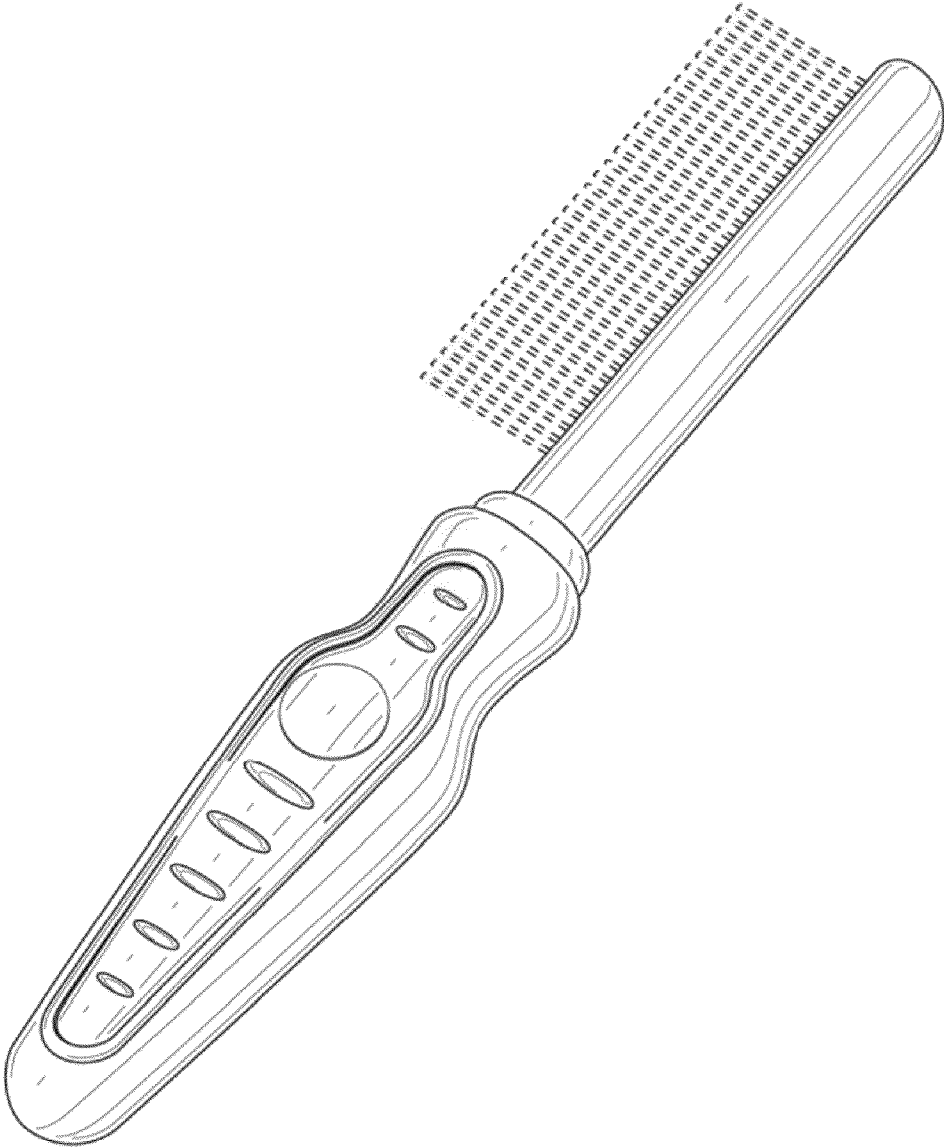


FIG. 1

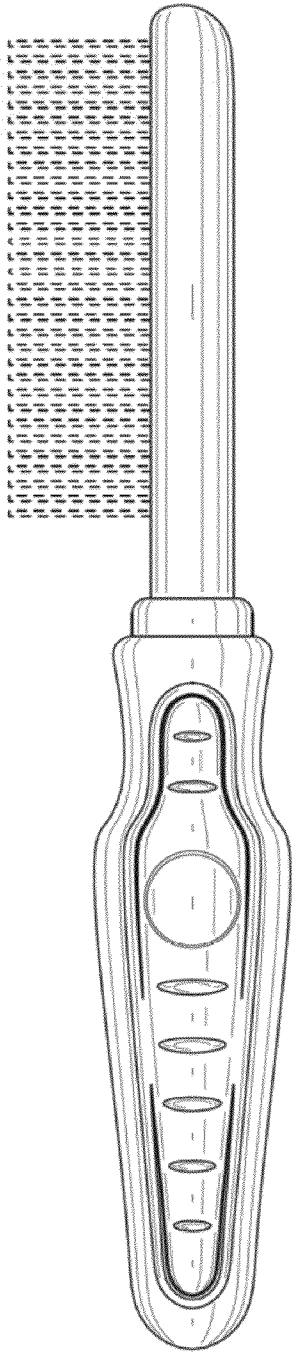


FIG. 2

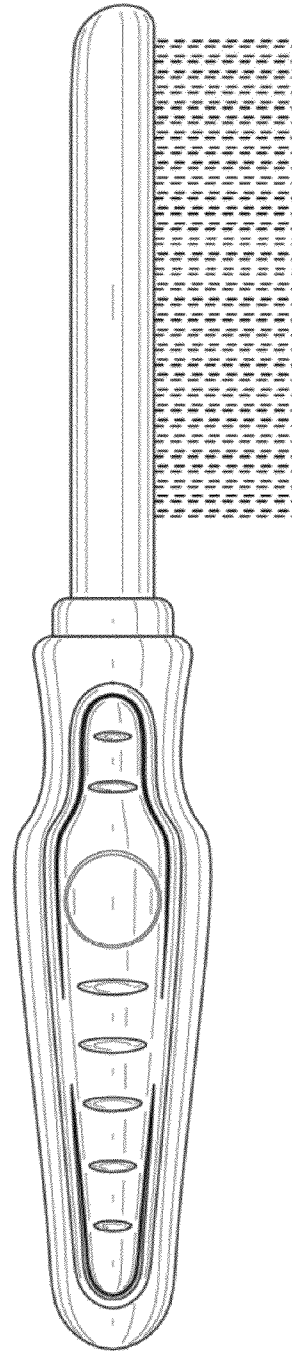


FIG. 3

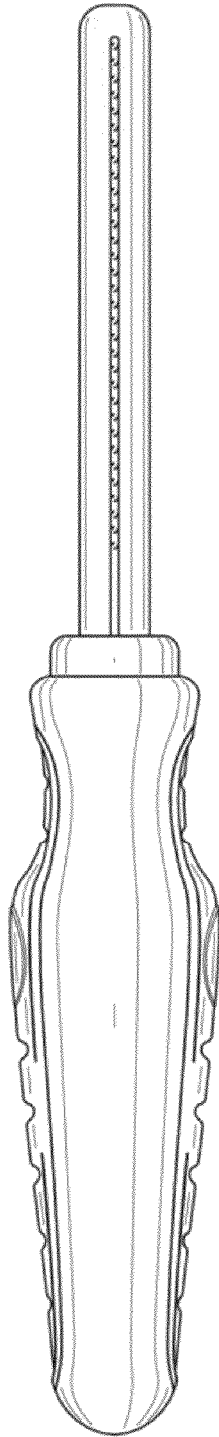


FIG. 4

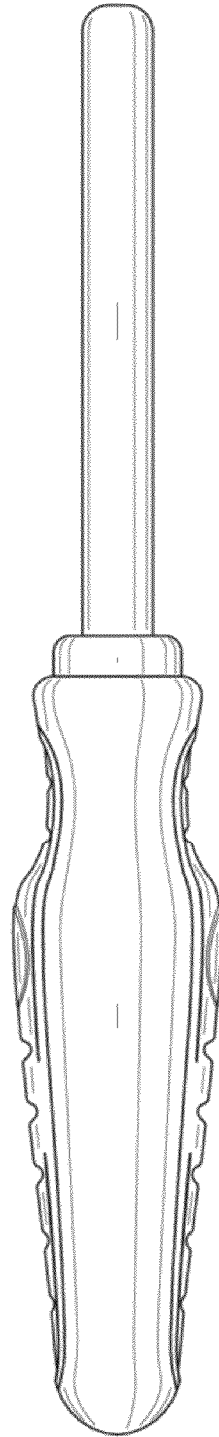


FIG. 5

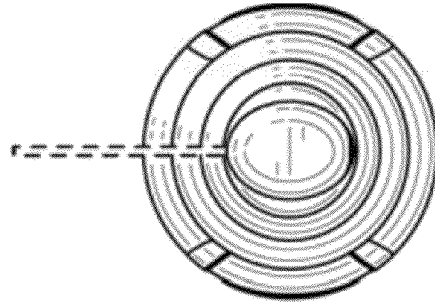


FIG. 6

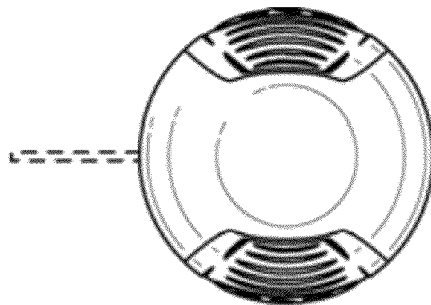


FIG. 7