



US00D947552S

(12) **United States Design Patent**
Shin et al.

(10) **Patent No.:** **US D947,552 S**

(45) **Date of Patent:** **** Apr. 5, 2022**

(54) **SMART MAKEUP MIRROR DEVICE**
(71) Applicant: **ICON AI Inc.**, Seoul (KR)
(72) Inventors: **Min Young Shin**, Seoul (KR); **Jin Young Yang**, Seoul (KR)
(73) Assignee: **ICON AI Inc.**, Seoul (KR)
(**) Term: **15 Years**
(21) Appl. No.: **35/510,347**
(22) Filed: **Nov. 15, 2019**

D738,118	S	*	9/2015	Gyanendra	D6/310
D779,836	S	*	2/2017	Bailey	D6/309
D793,099	S	*	8/2017	Bailey	D6/309
D816,350	S	*	5/2018	Yang	D6/309
D830,070	S	*	10/2018	Liu	D6/309
D840,699	S	*	2/2019	Xie	D6/309
D850,125	S	*	6/2019	Wang	D6/309
D865,375	S	*	11/2019	Yang	D6/310
D869,863	S	*	12/2019	Liu	D6/310
D871,084	S	*	12/2019	Pestl	D6/309
D874,161	S	*	2/2020	Yang	D6/309
D879,481	S	*	3/2020	Yang	D6/309
D879,482	S	*	3/2020	Yang	D6/309

(Continued)

(80) **Hague Agreement Data**

Int. Filing Date: **Nov. 15, 2019**
Int. Reg. No.: **DM/210243**
Int. Reg. Date: **Nov. 15, 2019**
Int. Reg. Pub. Date: **Sep. 18, 2020**

OTHER PUBLICATIONS

Venus Smart Makeup Mirror, posted at Trustedreviews.com, posted on Jan. 6, 2020, site visited Jul. 12, 2021. online, available from internet: <https://www.trustedreviews.com/news/ces-2020-alexapowered-smart-mirror-gives-personal-beauty-tips-3966826> (Year: 2020).*

(51) **LOC (13) Cl.** **06-07**

(52) **U.S. Cl.**

USPC **D6/309**; D6/308; D6/312; D14/172

(58) **Field of Classification Search**

USPC D6/300, 308, 309, 310, 301, 303, 304, D6/312; D14/172; D21/578, 579; D26/51, 52, 56, 61, 63, 64, 65
CPC A45D 44/005; A45D 42/00; A45D 42/08; A45D 42/14; A45D 42/16; A45D 42/10; A45D 2044/007; A45D 40/18; A45D 33/32; A47G 1/00; A47G 1/02; A47G 1/24; A47G 2001/1673; A47G 2200/08; A47G 2200/14; A47G 2200/143; A47G 2200/146; G06F 1/1605; G06F 3/005; G06F 3/011; G06F 3/041; G06F 3/167; H04R 1/028; H04R 2430/01; G06T 2207/30201; B60R 1/12; B60R 2001/1269; G09F 13/12

See application file for complete search history.

Primary Examiner — Mary Ann Calabrese

Assistant Examiner — Catherine Ho

(74) *Attorney, Agent, or Firm* — Maier & Maier, PLLC

(57) **CLAIM**

The ornamental design for a smart makeup mirror device, as shown and described.

DESCRIPTION

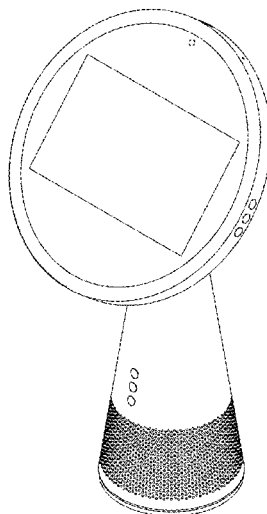
1. Smart makeup mirror device
 - 1.1 : Perspective
 - 1.2 : Front
 - 1.3 : Back
 - 1.4 : Left
 - 1.5 : Right
 - 1.6 : Top
 - 1.7 : Bottom
 - 1.8 : A bottom perspective view
 - 1.9 : A right view shown in alternate position

(56) **References Cited**

U.S. PATENT DOCUMENTS

D736,001	S	*	8/2015	Yang	D6/309
D737,060	S	*	8/2015	Yang	D6/310

1 Claim, 9 Drawing Sheets



(56)

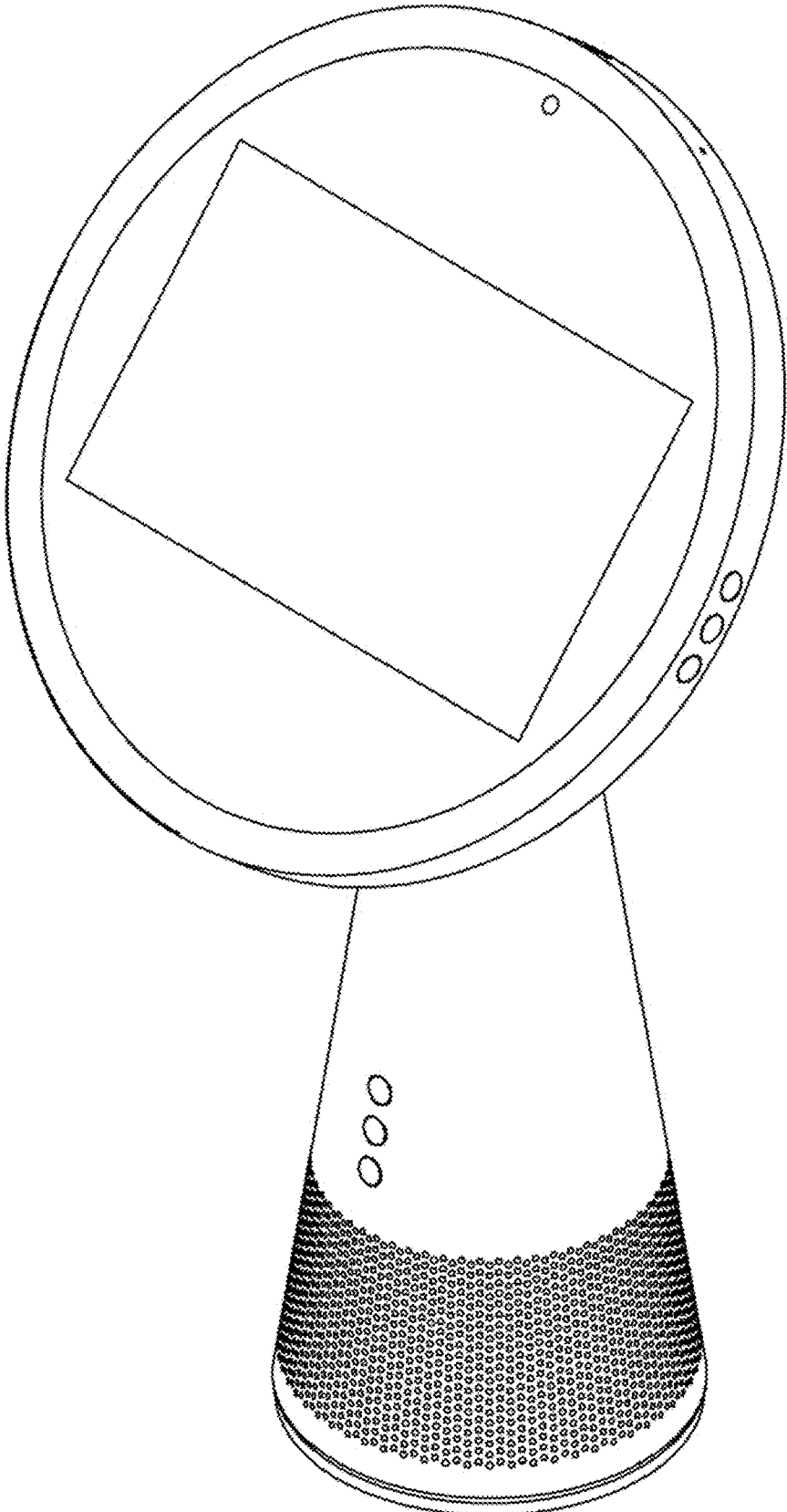
References Cited

U.S. PATENT DOCUMENTS

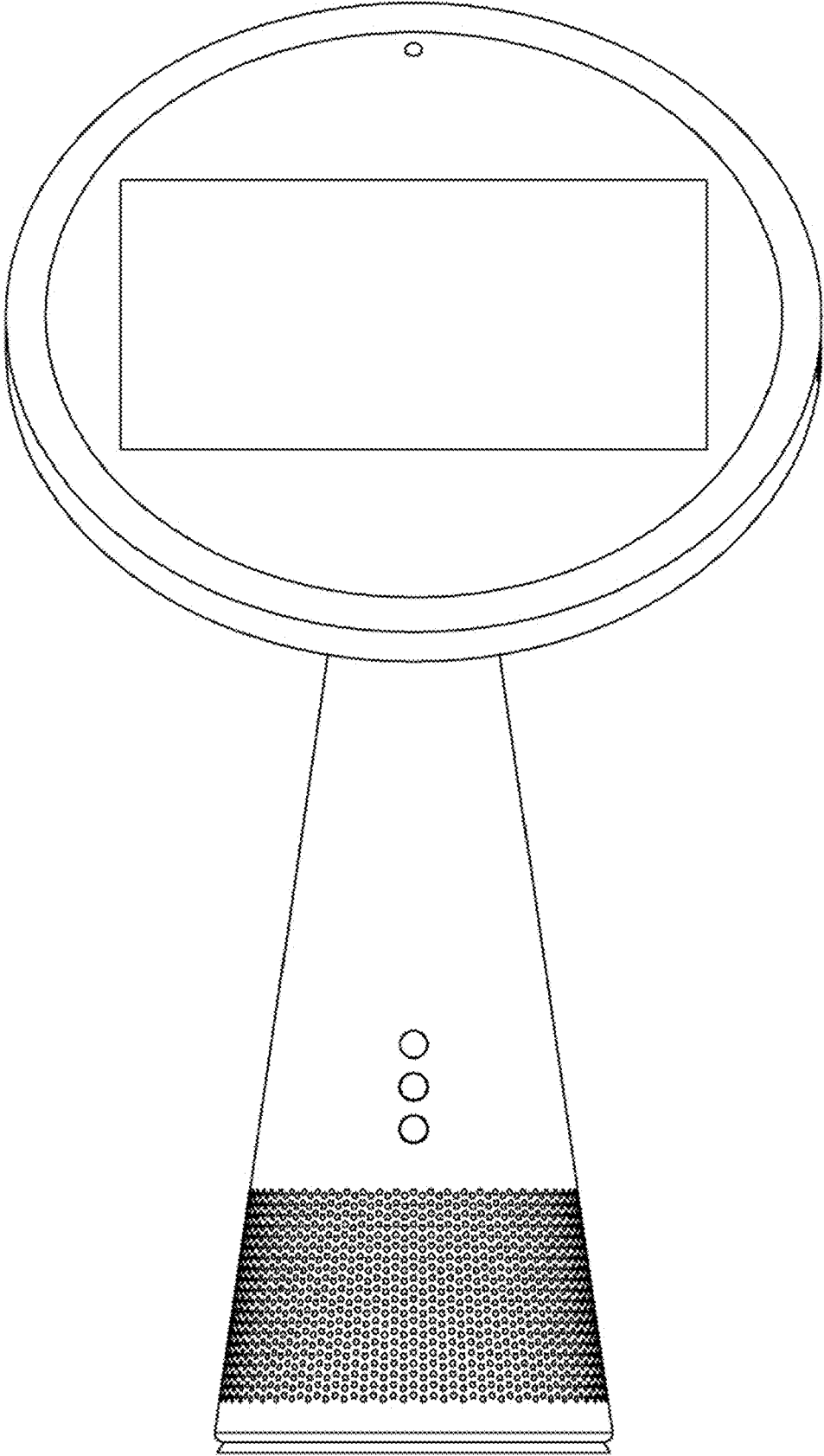
D882,280	S	*	4/2020	Yang	D6/309
D885,769	S	*	6/2020	Wang	D6/309
D891,121	S	*	7/2020	Zhao	D6/308
D891,123	S	*	7/2020	Li	D6/310
D891,792	S	*	8/2020	Yang	D6/309
D892,508	S	*	8/2020	Yang	D6/309
D893,892	S	*	8/2020	Rajasekaran	D6/310
D894,615	S	*	9/2020	Yang	D6/309
D895,305	S	*	9/2020	Yang	D6/309
D895,306	S	*	9/2020	Liu	D6/310
D897,694	S	*	10/2020	Lin	D6/309
D897,695	S	*	10/2020	Yang	D6/309
D898,383	S	*	10/2020	Zhou	D6/308
D898,386	S	*	10/2020	Huang	D6/309
D898,387	S	*	10/2020	Yang	D6/309
D901,908	S	*	11/2020	Zhao	D6/309
D905,447	S	*	12/2020	Yang	D6/310
D909,770	S	*	2/2021	Li	D6/309
D918,602	S	*	5/2021	Chen	D6/309
D919,982	S	*	5/2021	Yang	D6/309
D924,456	S	*	7/2021	Zhao	D26/56
2018/0172265	A1	*	6/2018	Yang	A47G 1/02
2018/0263362	A1	*	9/2018	Yang	A47G 1/04
2019/0003699	A1	*	1/2019	Mondora	F21V 33/004
2021/0137266	A1	*	5/2021	Pestl	H04N 5/2253

* cited by examiner

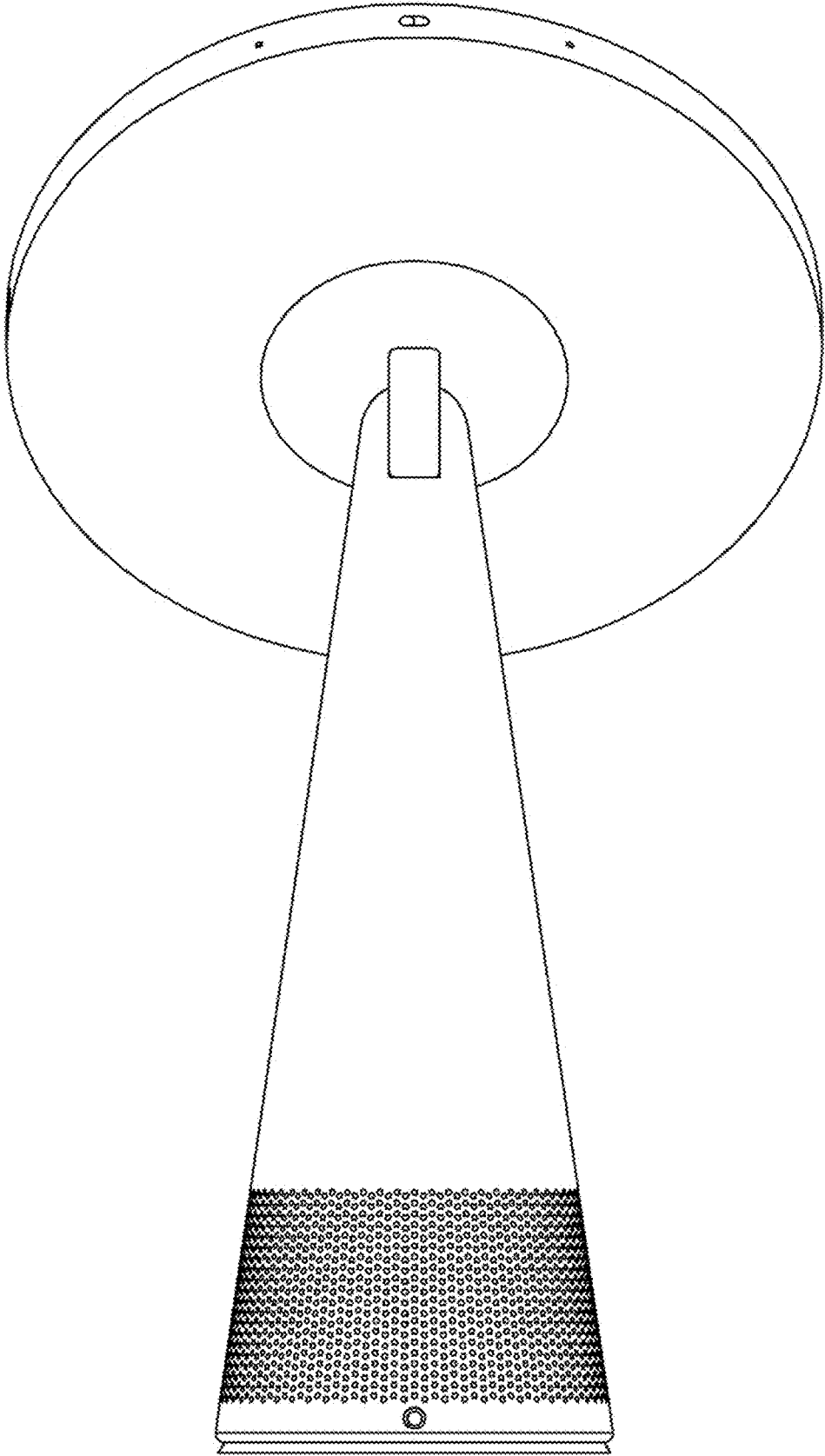
1.1



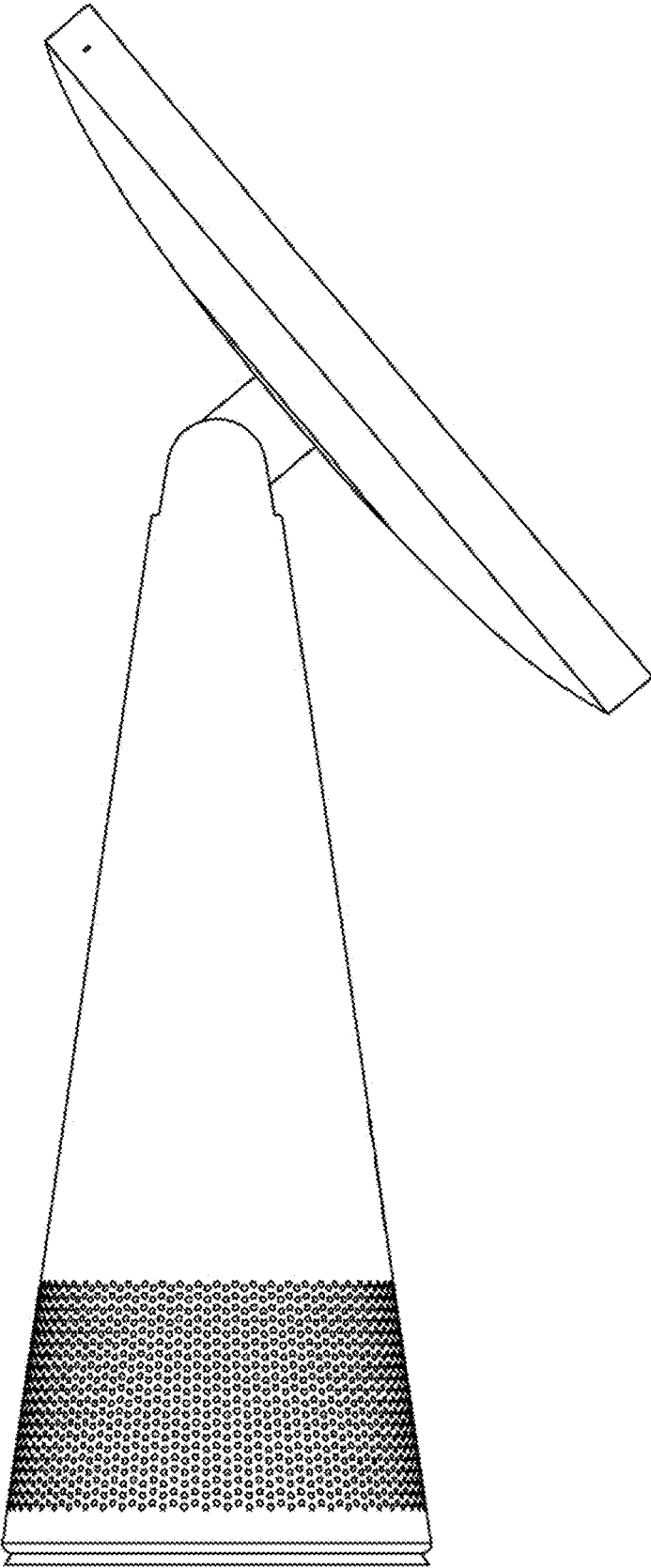
1.2



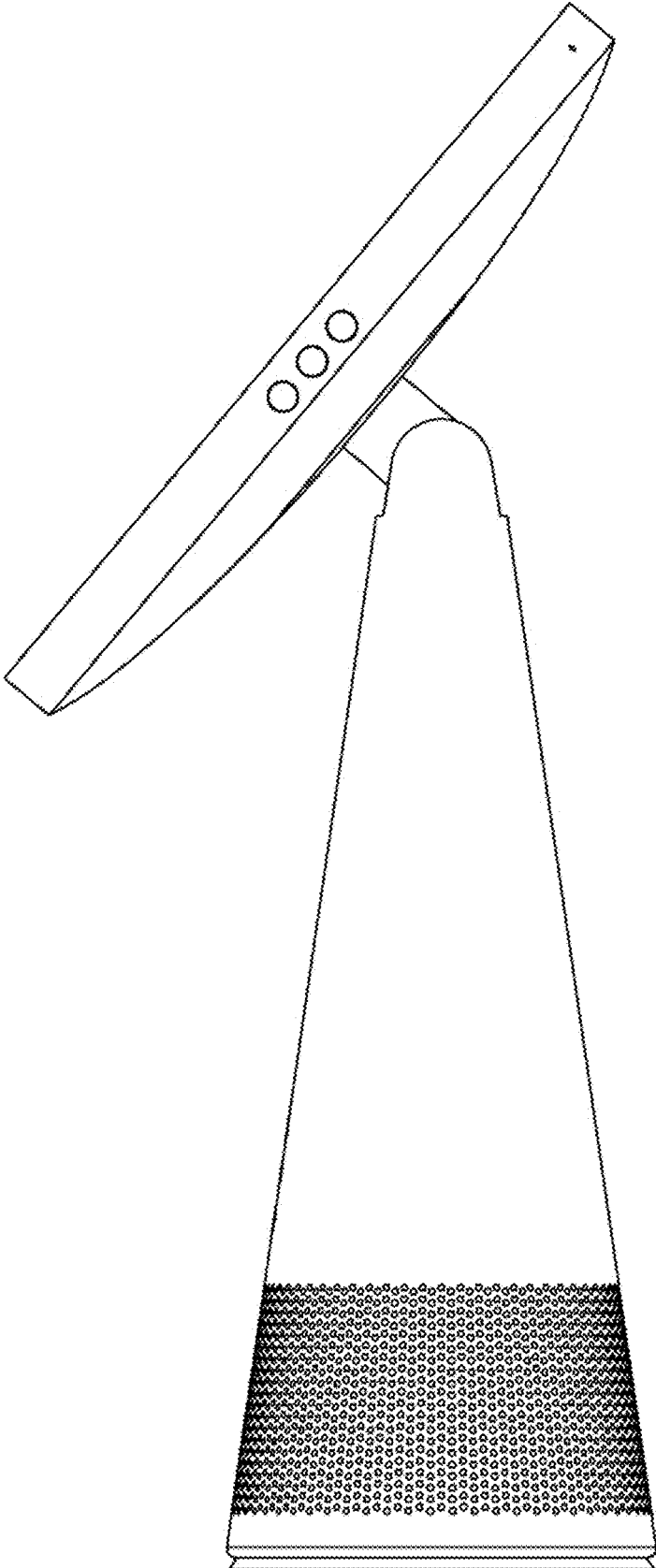
1.3



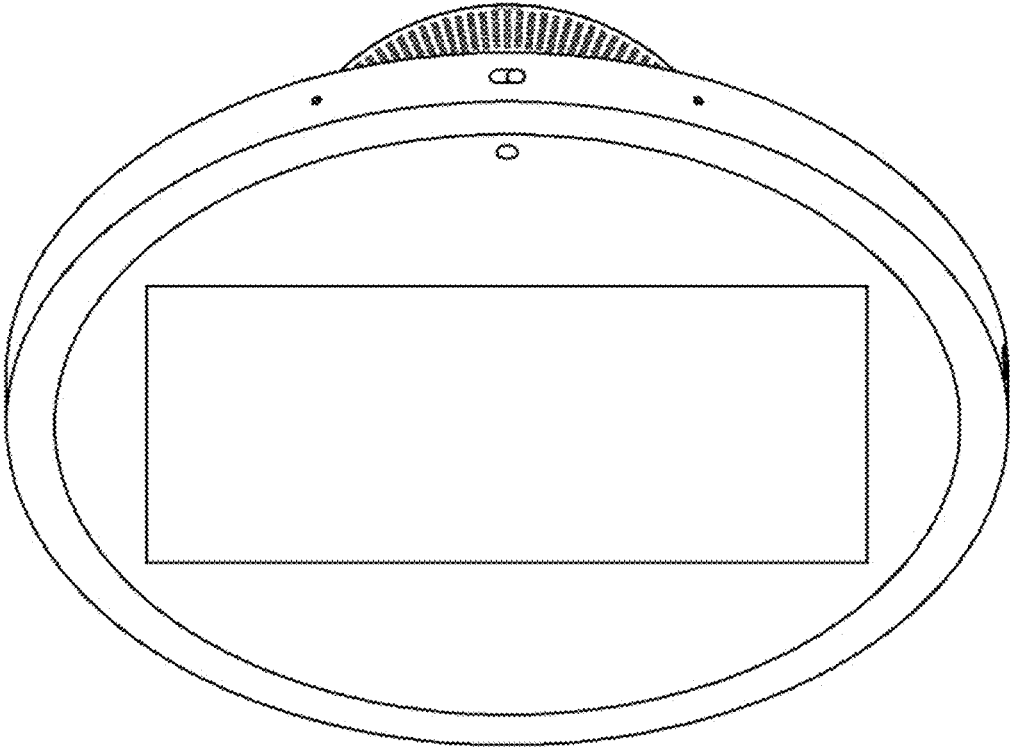
1.4



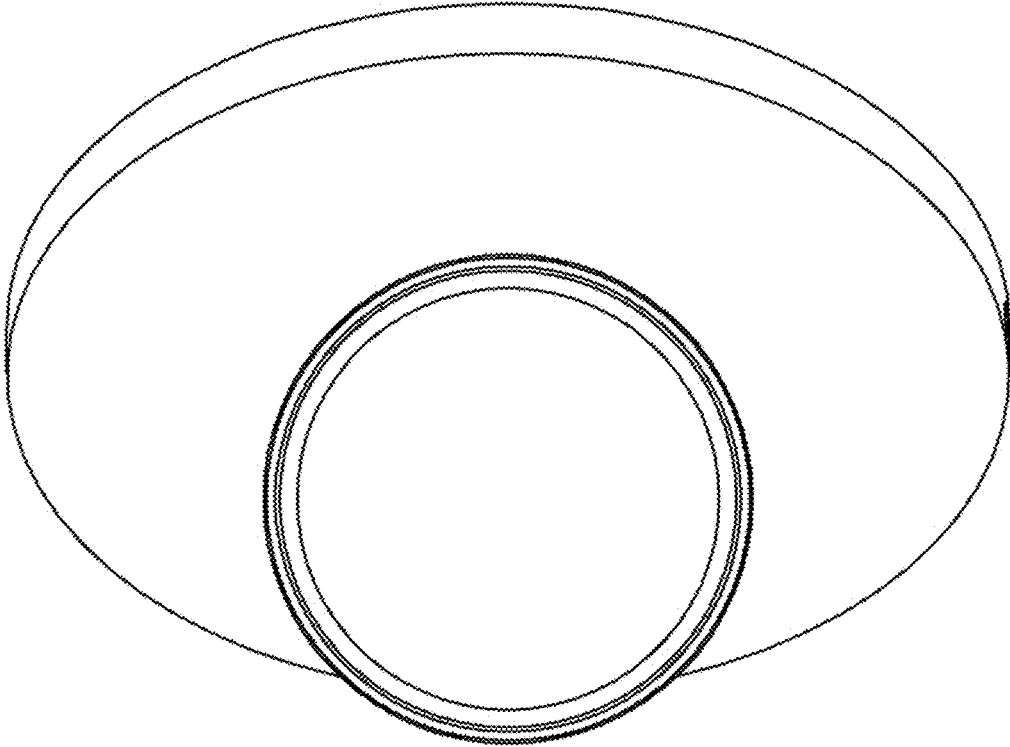
1.5



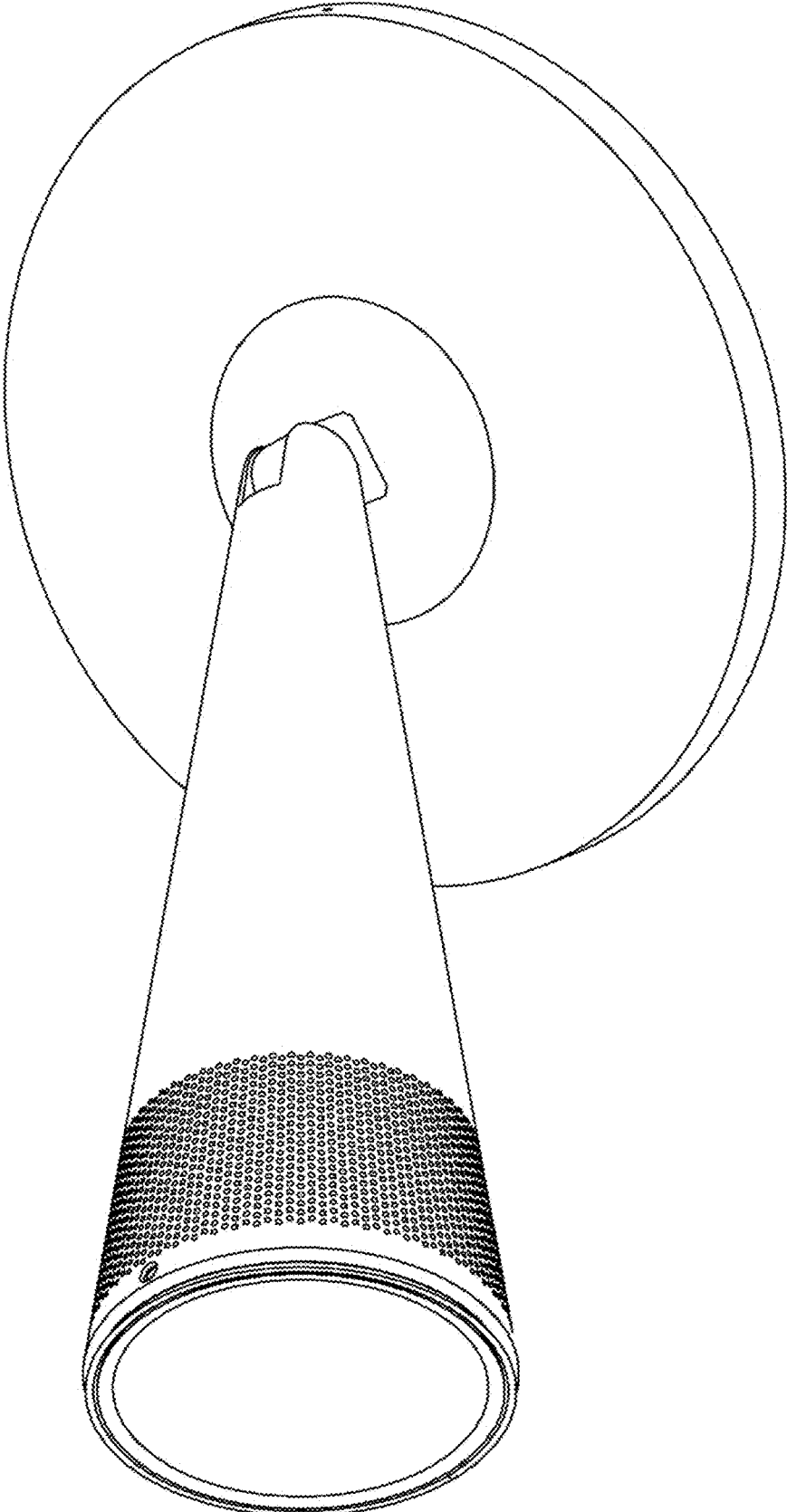
1.6



1.7



1.8



1.9

