



US00D891125S

(12) **United States Design Patent**
Liu

(10) **Patent No.:** **US D891,125 S**

(45) **Date of Patent:** **** Jul. 28, 2020**

(54) **MAKEUP MIRROR**
(71) Applicant: **SHENZHEN SANDE TECHNOLOGY CO., LTD.**, Shenzhen (CN)

D776,316 S * 1/2017 Kim D26/51
D779,836 S * 2/2017 Bailey A45D 42/00
D801,059 S 10/2017 Gan D6/309
D816,350 S * 5/2018 Yang A45D 42/10
D853,736 S 7/2019 Long D6/309
D874,162 S * 2/2020 Greenwalt D6/310

(72) Inventor: **Yan Liu**, Shenzhen (CN)
(73) Assignee: **SHENZHEN SANDE TECHNOLOGY CO., LTD.**, Shenzhen (CN)

(**) Term: **15 Years**

(21) Appl. No.: **29/728,686**

(22) Filed: **Mar. 20, 2020**

(51) **LOC (12) Cl.** **06-07**

(52) **U.S. Cl.**
USPC **D6/310**

(58) **Field of Classification Search**
USPC D6/300-314; D12/191; D16/221;
D19/114; D20/43; D26/51
CPC ... A47G 1/00; A47G 1/02; A47G 1/14; A47G
1/24; A47G 2001/002; A47G 2001/0056;
A47G 2001/007; A45D 42/00; A45D
42/10; A45D 42/24; F21V 21/26; F21V
21/30; G09F 15/0056; B60J 3/0282;
G09B 19/00

See application file for complete search history.

(56) **References Cited**

U.S. PATENT DOCUMENTS

D261,845 S * 11/1981 Wachtel D6/309
D379,125 S * 5/1997 Simjian D24/139
6,241,357 B1 * 6/2001 Lee A45D 42/00
359/872
D639,077 S * 6/2011 DeBretton Gordon D6/310
8,356,908 B1 * 1/2013 Zadro A45D 42/10
362/135
D707,454 S * 6/2014 Pitot D6/309
D730,065 S * 5/2015 Tsai D6/310

OTHER PUBLICATIONS

9 in.x16 in. Round Table Pedestal Makeup Mirror—Home Depot.com <https://www.homedepot.com/p/SEE-ALL-9-in-x-16-in-Round-Table-Pedestal-Makeup-Mirror-with-Strong-5X-Magnification-in-Chrome-JCTP95/205951535> Retrieved from the internet on Jun. 16, 2020.*

Zadro™ 1X/3X Back to School Mirror—Bed bath and Beyond <https://www.bedbathandbeyond.com/store/product/zadro-trade-1x-3x-back-to-school-mirror/5315579?keyword=zadro-magnifying-mirror> Retrieved from the internet on Jun. 16, 2020.*

* cited by examiner

Primary Examiner — Mary Ann Calabrese

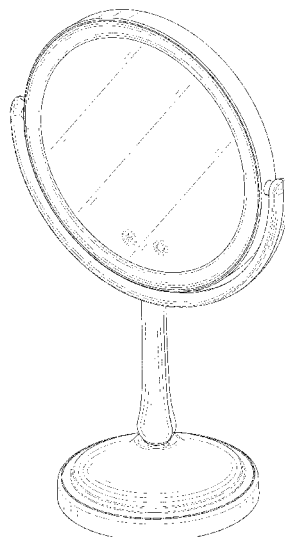
(57) **CLAIM**

The ornamental design for a makeup mirror, as shown and described.

DESCRIPTION

FIG. 1 is a front perspective view of a makeup mirror showing my new design;
FIG. 2 is rear perspective view thereof;
FIG. 3 is a front elevational view thereof;
FIG. 4 is a rear elevational view thereof;
FIG. 5 is a left side elevational view thereof;
FIG. 6 is a right side elevational view thereof;
FIG. 7 is a top plan view thereof; and,
FIG. 8 is a bottom plan view thereof.
The broken lines in the drawings depict portions of the mirror that form no part of the claimed design.

1 Claim, 8 Drawing Sheets



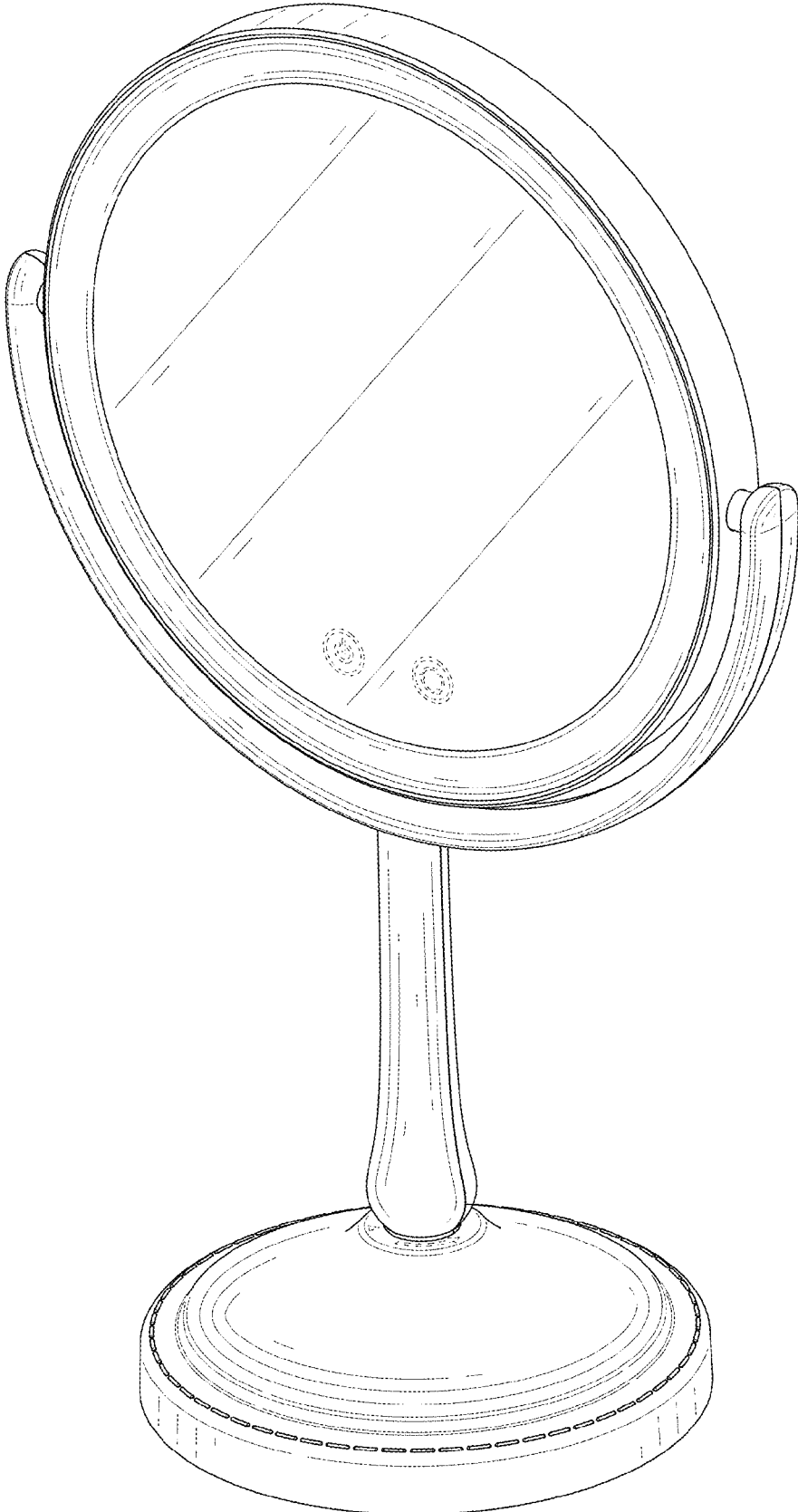


FIG. 1

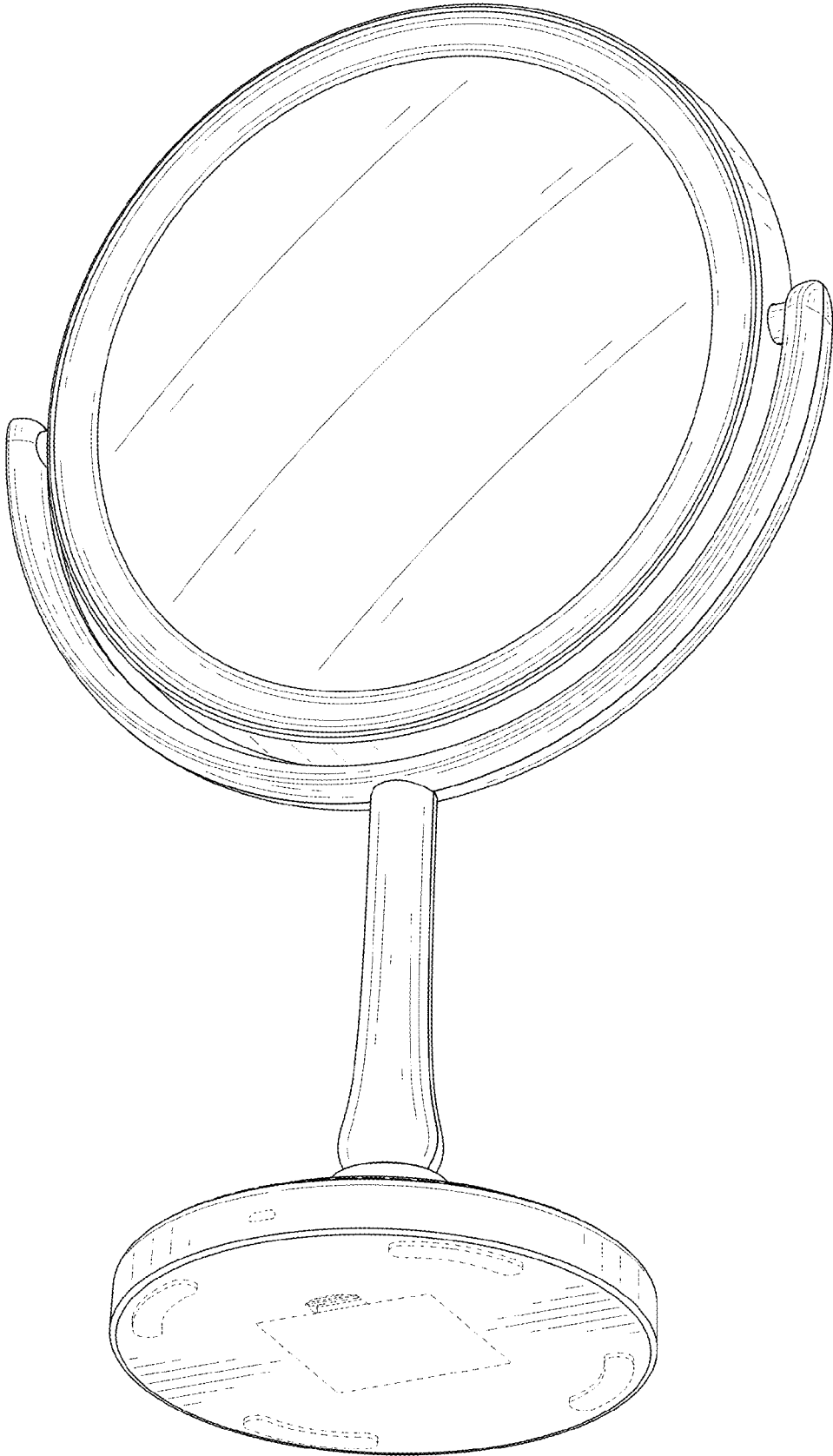


FIG. 2

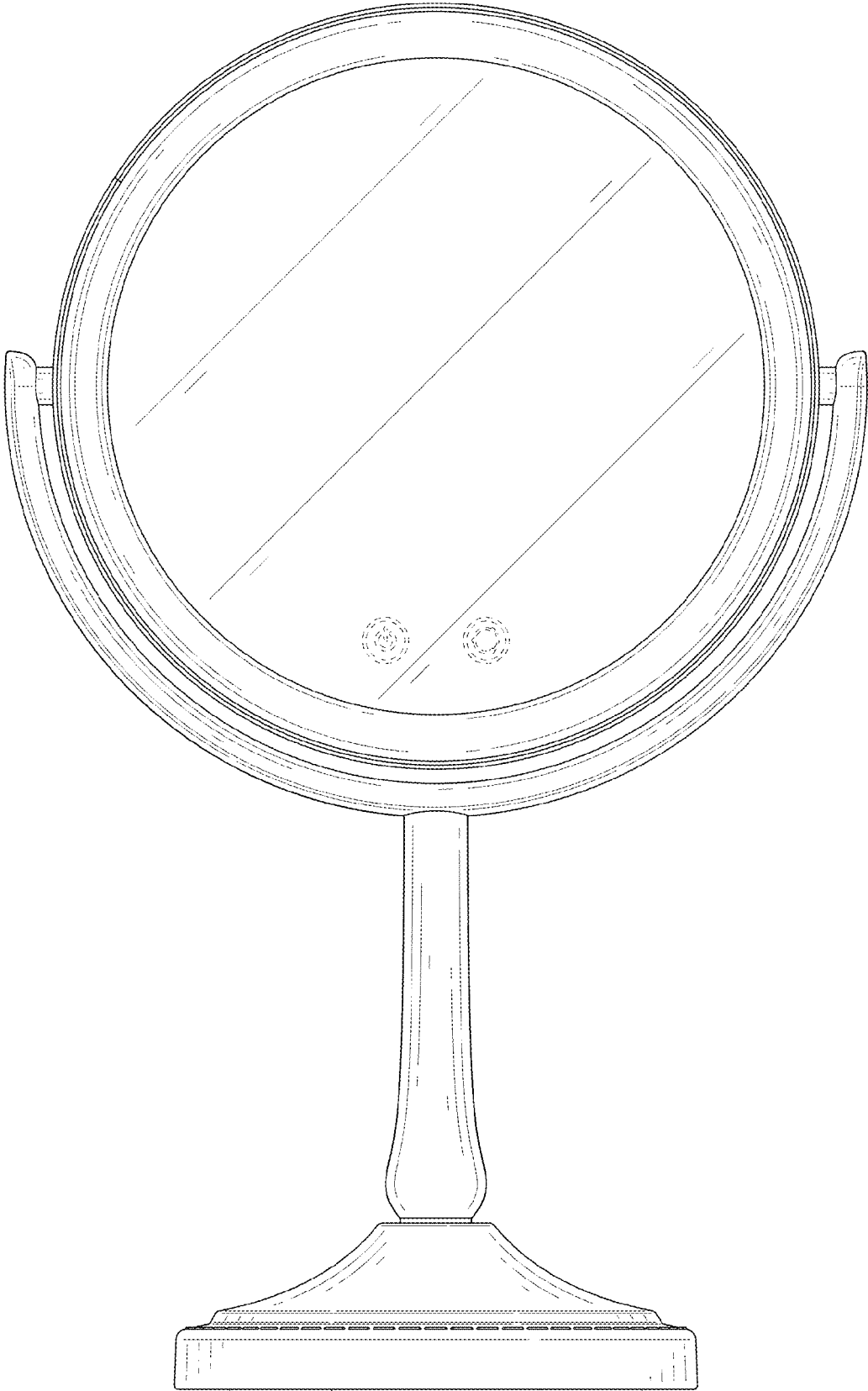


FIG. 3

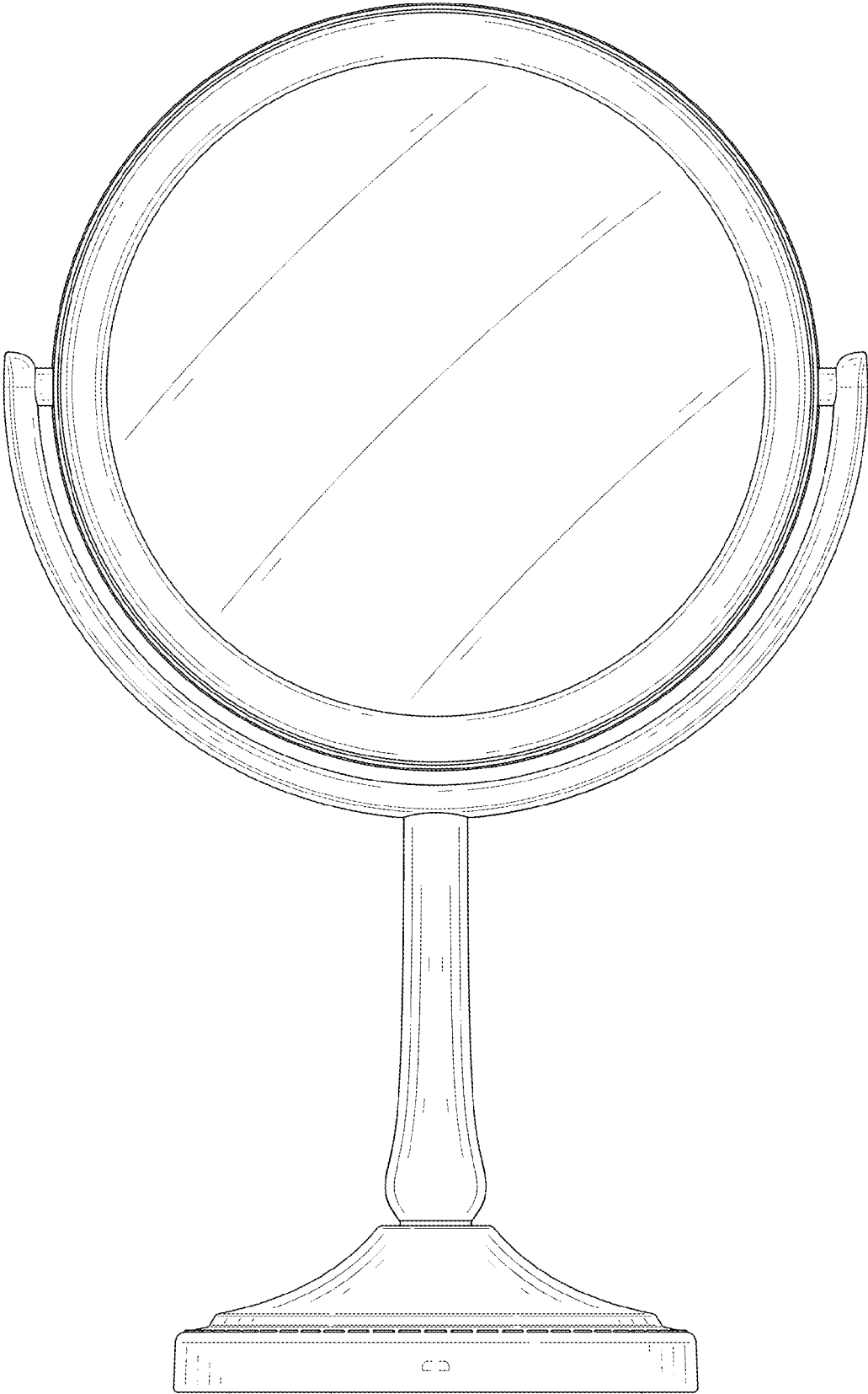


FIG. 4

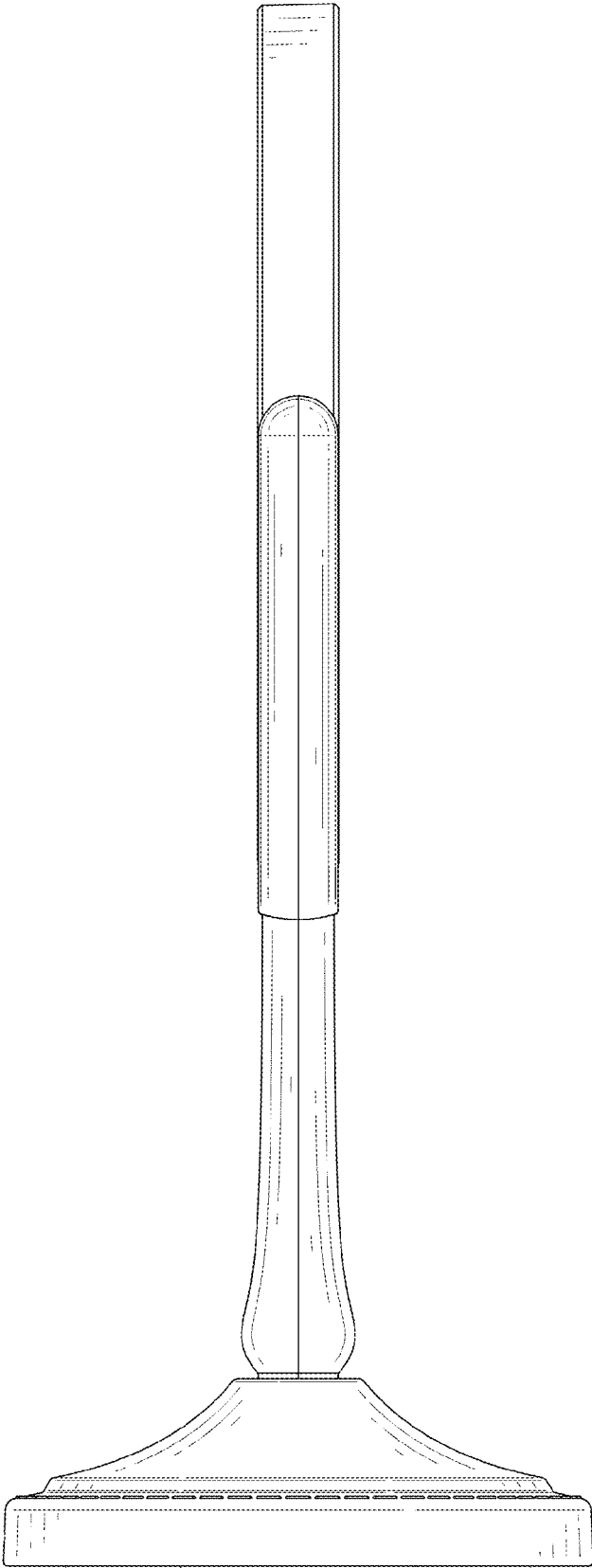


FIG. 5

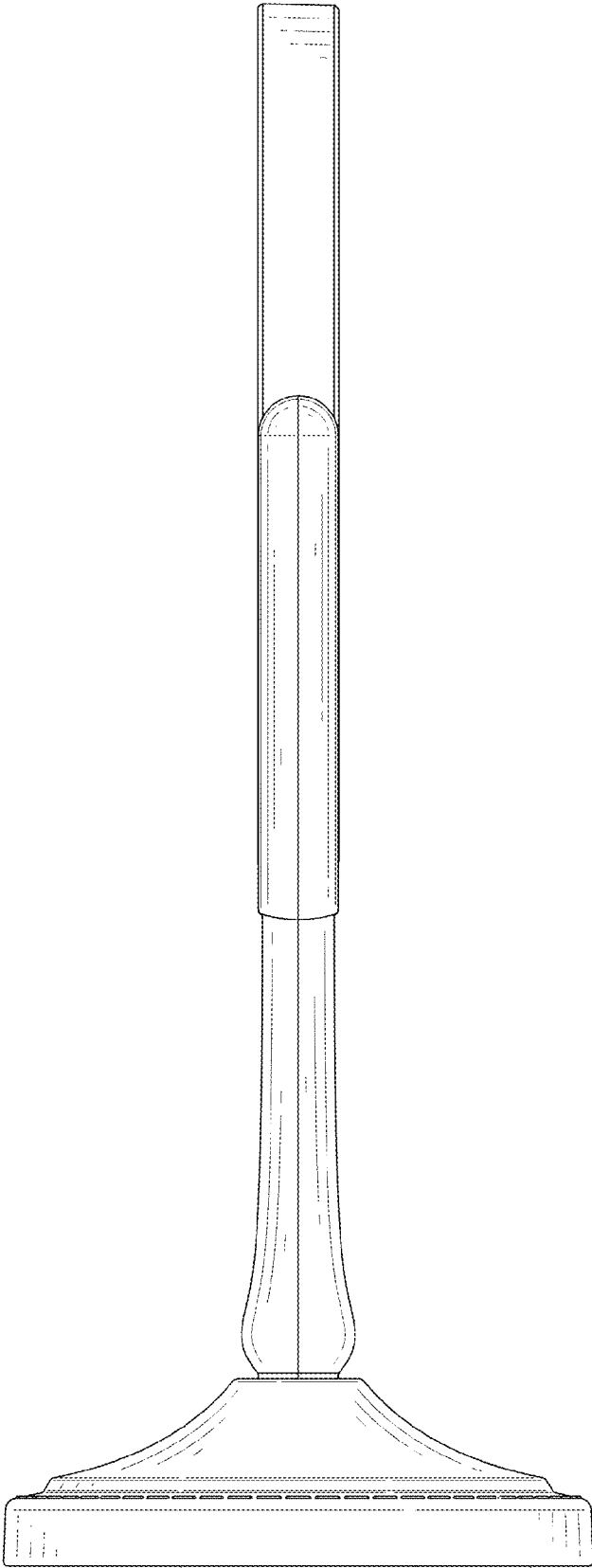


FIG. 6

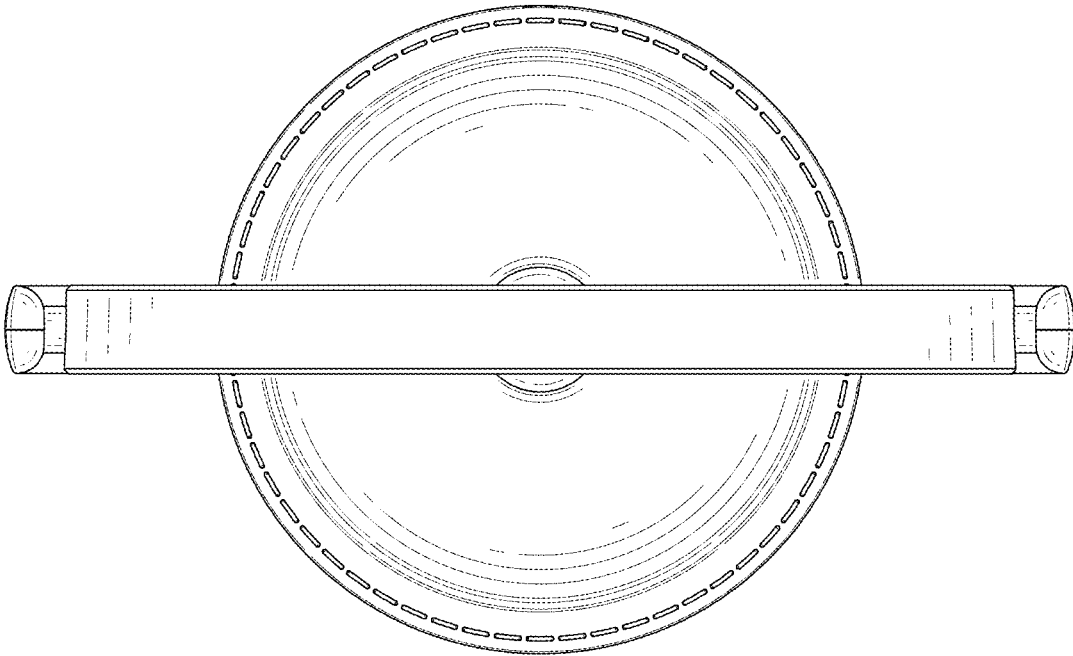


FIG. 7

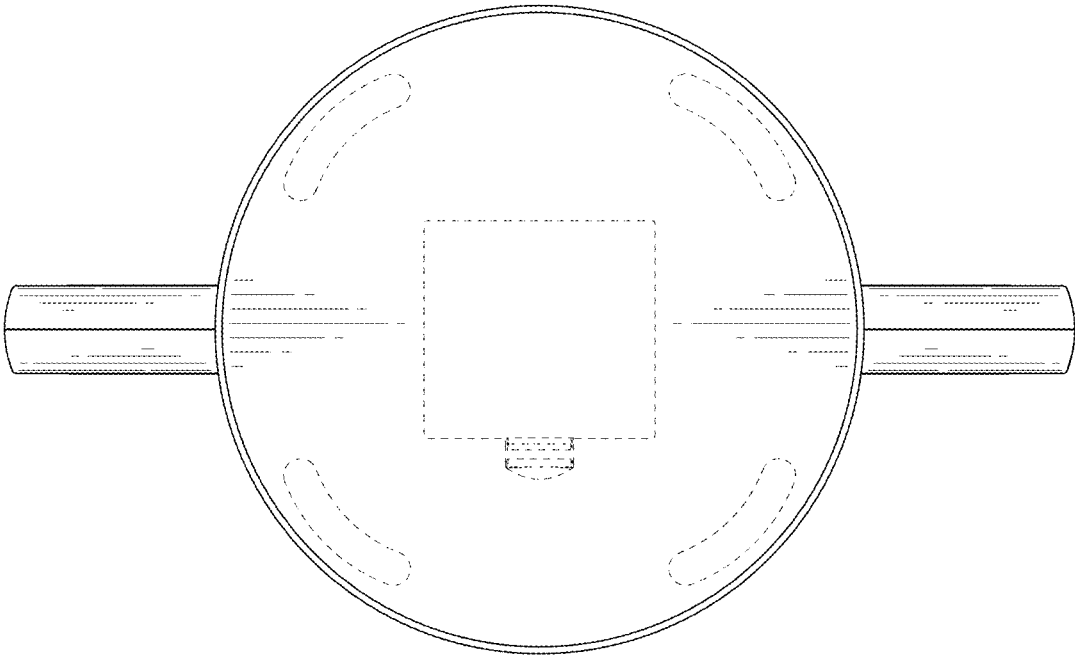


FIG. 8