



US00D934415S

(12) **United States Design Patent**
Igwebuike et al.

(10) **Patent No.:** **US D934,415 S**

(45) **Date of Patent:** **** Oct. 26, 2021**

(54) **COLD SORE PATCH APPLICATOR**

FOREIGN PATENT DOCUMENTS

(71) Applicant: **Coloplast A/S**, Humlebaek (DK)

DE	19916523	A1	6/2000
EP	0832627	A2	4/1998
EP	0765741	B1	6/2006

(72) Inventors: **Henning Igwebuike**, Lyngø (DK);
Boerge Gundersen, Tikoeb (DK)

OTHER PUBLICATIONS

(73) Assignee: **Coloplast A/S**, Humlebaek (DK)

Compeed Cold Sore Discreet Healing Patch, [site visited Jun. 16, 2021], Available from Internet. URL: <https://www.compeed.com.au/product/discreet-cold-sore-patch/> (Year: 2021).*

(**) Term: **15 Years**

Primary Examiner — T Chase Nelson

(21) Appl. No.: **29/689,931**

Assistant Examiner — Kelly L Gross

(22) Filed: **May 3, 2019**

(74) *Attorney, Agent, or Firm* — Coloplast Corp.,
Coloplast A/S; Nick Baumann

(51) **LOC (13) Cl.** **24-02**

(52) **U.S. Cl.**
USPC **D24/119**

(58) **Field of Classification Search**

USPC D24/122, 124, 126, 188–192, 199, 200,
D24/206, 212–215, 128, 134, 119, 129,
D24/130, 131, 133, 112–114; D23/310;
D29/100, 101.1; D19/1

CPC A61F 5/453; A61F 5/455; A61F 5/4556;
A61F 5/4405; A61F 2005/4402; A61F
13/471; A61F 13/069; A61F 13/30; A61F
13/0203; A61F 13/0246; A61F 13/0223;
A61F 13/0276; A61F 13/022; A61F
13/0206; A61F 2013/00748; A61F
2013/00604; A61F 2013/00846; A61F
2013/00578; A61F 2013/00804; A61F
2013/00885; A61F 2013/53445; A61F
2013/51078; A61F 2/958; A61M 1/0088;
A61M 1/0031; A61M 1/0092; A61M
1/0023; A61M 27/00; A61M 25/00;
A61M 25/0043; A61M 25/0067; A61M
25/0097;

(Continued)

(57) **CLAIM**

The ornamental design for a cold sore patch applicator, as shown and described.

DESCRIPTION

FIG. 1 is a perspective view of a cold sore patch applicator. FIG. 2 is a front elevational view of the cold sore patch applicator. FIG. 3 is a back elevational view of the cold sore patch applicator. FIG. 4 is a bottom side view of the cold sore patch applicator. FIG. 5 is a top side view of the cold sore patch applicator. FIG. 6 is a left side view of the cold sore patch applicator; and, FIG. 7 is a right side view of the cold sore patch applicator. The broken lines are directed to environment and are for illustrative purposes only. The broken lines form no part of the claimed design.

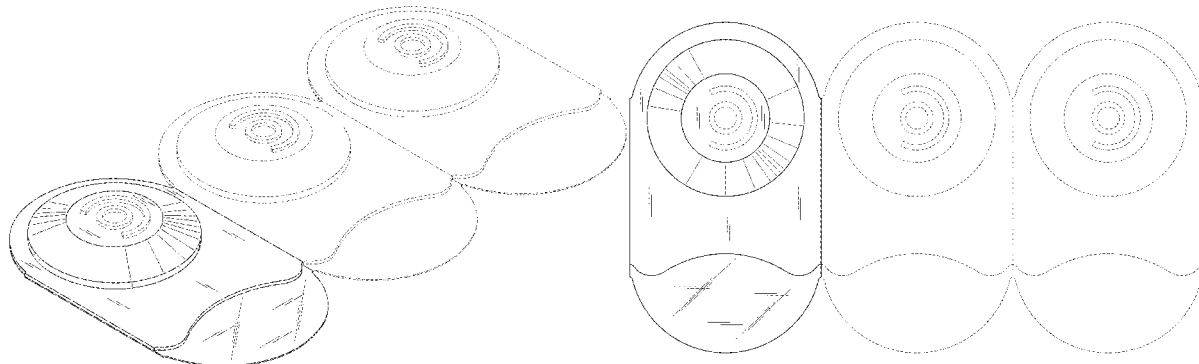
(56) **References Cited**

U.S. PATENT DOCUMENTS

3,018,881	A	1/1962	Wall
3,162,306	A	12/1964	Zackheim

(Continued)

1 Claim, 7 Drawing Sheets



(56)

References Cited

U.S. PATENT DOCUMENTS

2014/0243788 A1 8/2014 Cantor et al.
2014/0303574 A1* 10/2014 Knutson A61K 31/34
604/307
2016/0015851 A1* 1/2016 Chiou A61L 15/585
604/372
2019/0083702 A1* 3/2019 Nekouzadeh A61M 5/20
2019/0159938 A1* 5/2019 Askem A61M 1/962
2019/0350873 A1* 11/2019 Ramjit A61F 13/0259
2019/0358090 A1* 11/2019 Auge A61F 13/00085

* cited by examiner

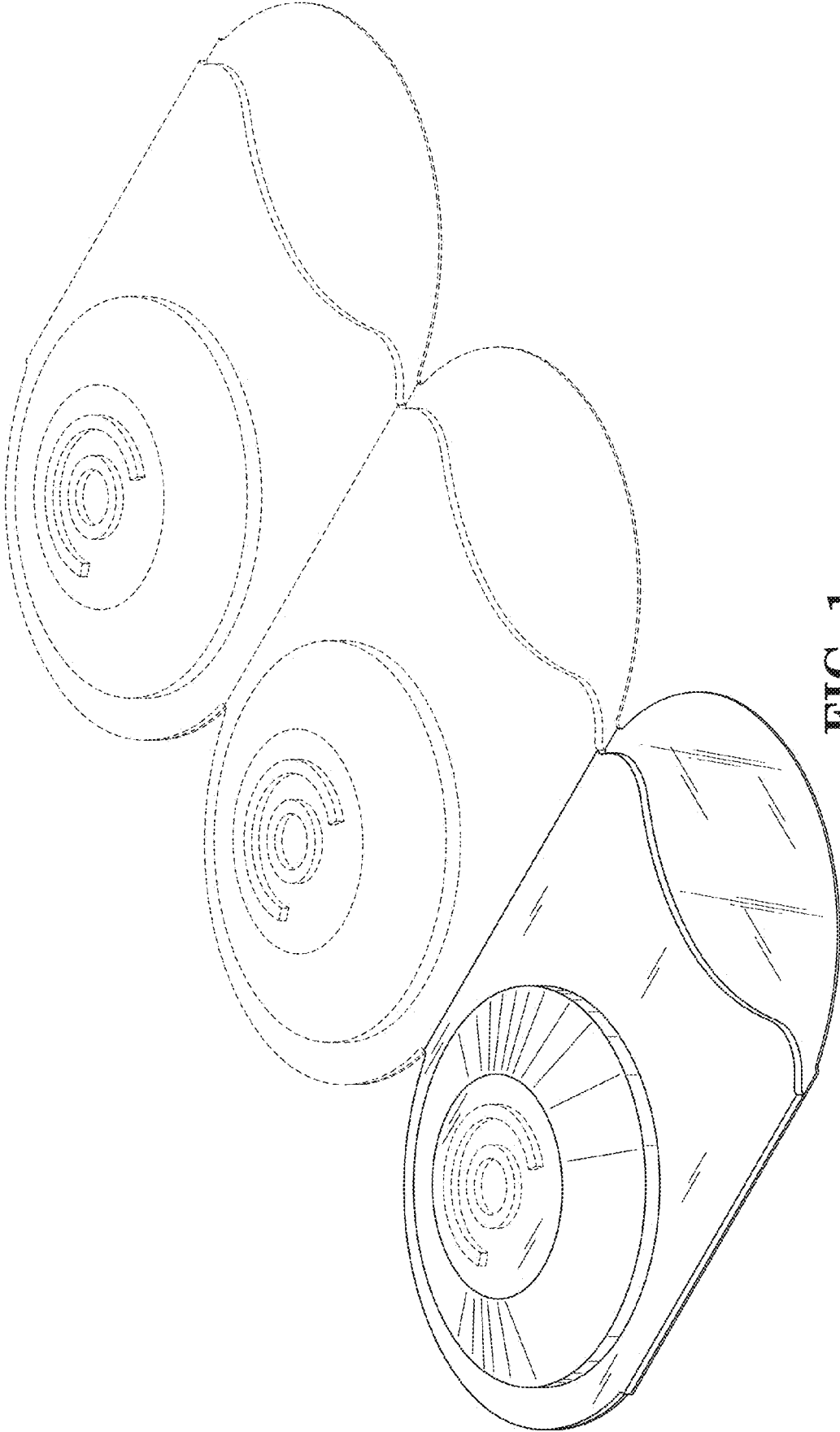


FIG. 1

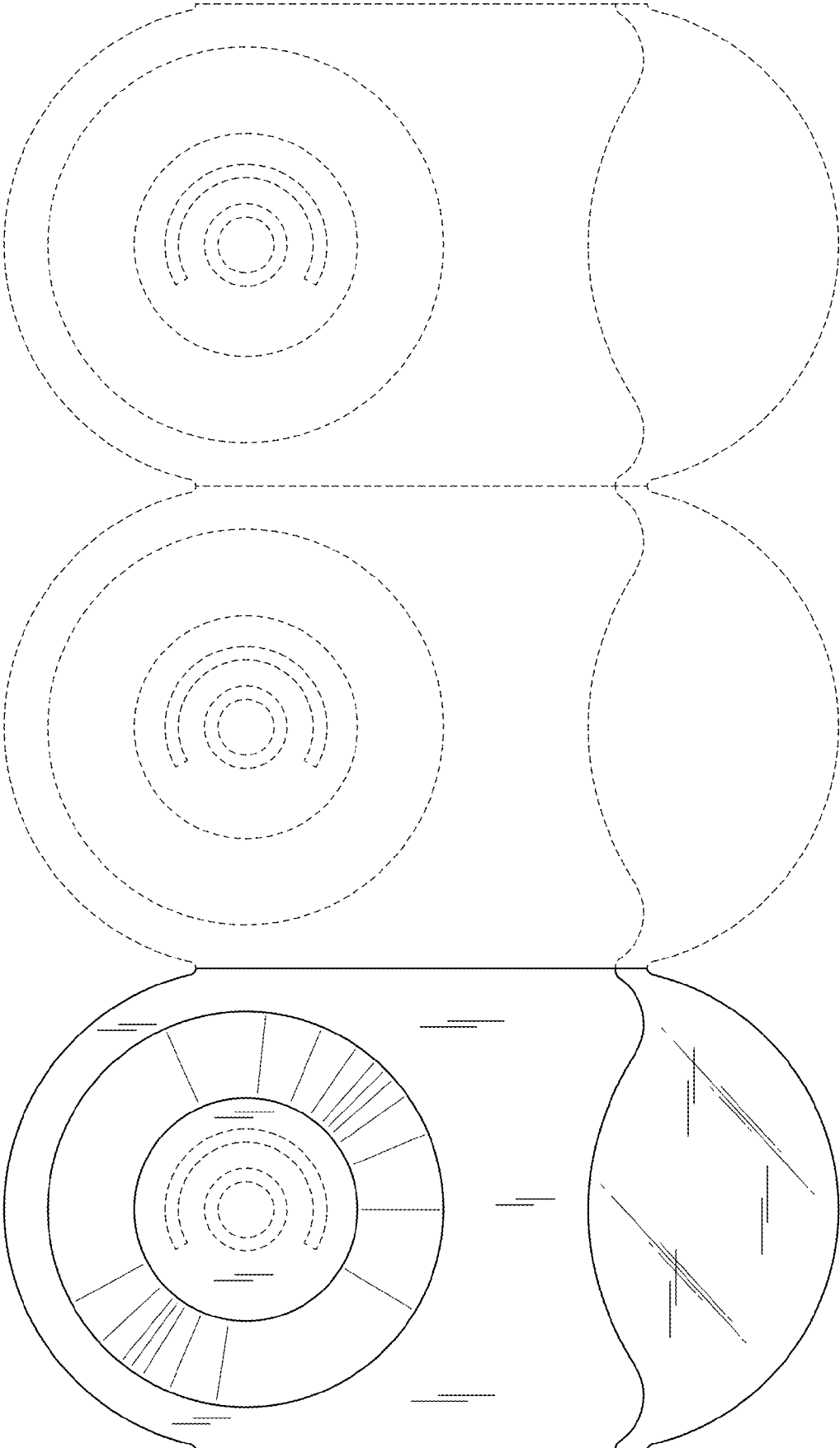


FIG. 2

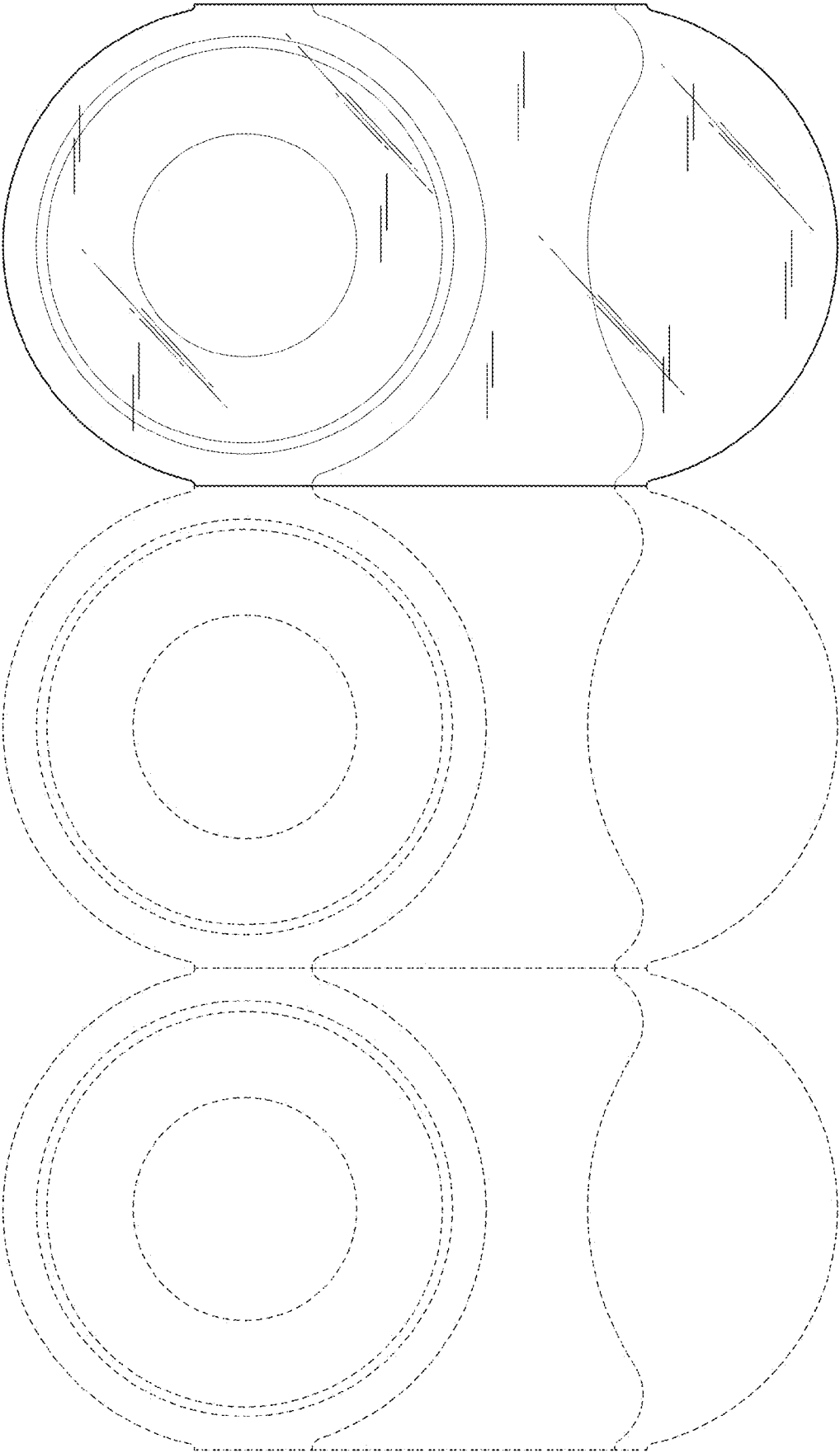


FIG. 3

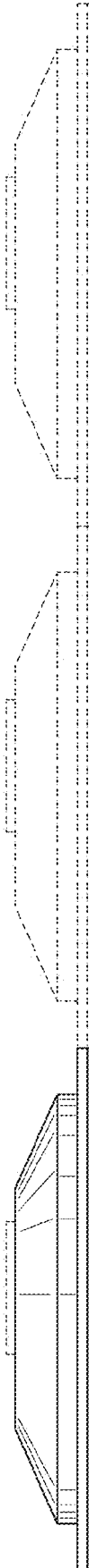


FIG. 4

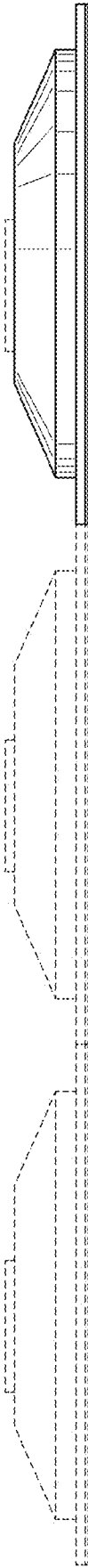


FIG. 5

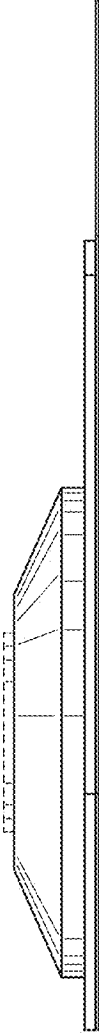


FIG. 6

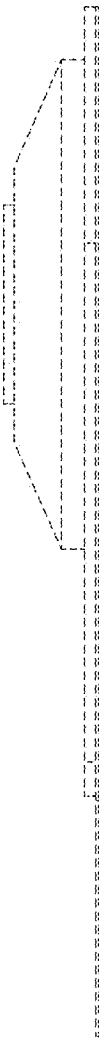


FIG. 7