



US00D711131S

(12) **United States Design Patent**
Christakos et al.

(10) **Patent No.:** **US D711,131 S**
(45) **Date of Patent:** **** Aug. 19, 2014**

(54) **BUNGEE CHAIR**
(71) Applicant: **Blu Dot Design & Manufacturing, Inc.,**
Minneapolis, MN (US)
(72) Inventors: **John N. Christakos,** Minneapolis, MN
(US); **Warren Young,** Roseville, MN
(US)
(73) Assignee: **Blu Dot Design & Manufacturing, Inc.,**
Minneapolis, MN (US)
(**) Term: **14 Years**

3,656,808 A 4/1972 Chang
3,694,030 A 9/1972 Grosfillex
D292,048 S 9/1987 Shaffer
5,338,097 A * 8/1994 Tan 297/451.11
5,695,253 A 12/1997 Jenkins
D427,797 S * 7/2000 Tseng D6/376
D429,303 S 8/2000 Peterson, Jr.
6,332,646 B1 12/2001 Tseng
6,447,057 B1 9/2002 Chen
6,554,717 B2 * 4/2003 Cho 473/197
D475,860 S 6/2003 Yang
6,702,371 B2 3/2004 Zheng
6,824,207 B1 11/2004 Lin
D499,258 S * 12/2004 Tseng D6/368
6,840,573 B1 1/2005 Yao
6,848,740 B1 2/2005 Reese

(21) Appl. No.: **29/457,040**

(Continued)

(22) Filed: **Jun. 6, 2013**

OTHER PUBLICATIONS

(51) **LOC (10) Cl.** **06-01**

Advertisement from Target, "Woven Techniques Hard Goods", Interior Design Capsule, made publicly available by at least Feb. 27, 2012.

(52) **U.S. Cl.** **D6/368**

(58) **Field of Classification Search**
USPC D6/334-336, 344, 348-349, 363,
D6/366-376, 379, 716, 716.1-716.4;
5/102; 119/28.5; 273/396, 407;
297/16.1, 16.2, 31, 34, 45-47, 50, 56,
297/180.14, 271.6, 314, 411.41, 440.11,
297/440.24, 448.1, 451.11, 451.4, 452.12,
297/452.13; 473/197, 431, 446, 456
See application file for complete search history.

Primary Examiner — Ricky Pham
(74) *Attorney, Agent, or Firm* — Fredrikson & Byron, P.A.

(57) **CLAIM**
We claim the ornamental design for a bungee chair, as shown and described.

(56) **References Cited**

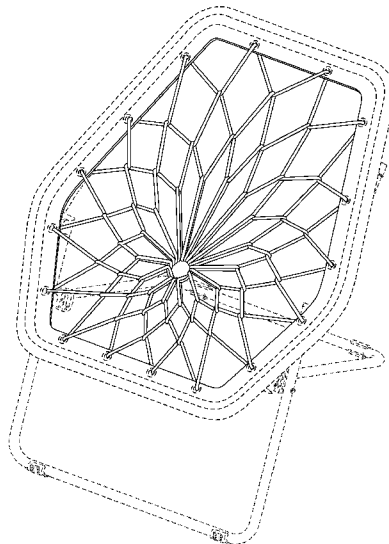
DESCRIPTION

U.S. PATENT DOCUMENTS

D168,212 S 11/1952 Cicchelli
D171,265 S 1/1954 Phillips
2,684,709 A * 7/1954 Schawinsky 297/411.41
2,723,712 A 11/1955 Yellen
D179,376 S * 12/1956 Breed D6/366
D184,202 S 12/1958 Yuen
2,916,744 A * 12/1959 May et al. 5/102
2,930,430 A 3/1960 Bloom
3,180,685 A 4/1965 Rogalski et al.

FIG. 1 is a perspective of our new design for a bungee chair;
FIG. 2 is front view thereof;
FIG. 3 is a rear view thereof;
FIG. 4 is a right side view thereof;
FIG. 5 is a left side view thereof;
FIG. 6 is a top view thereof; and,
FIG. 7 is a bottom view thereof.
The broken lines shown in the drawings are for illustrative purposes only and form no part of the claimed design.

1 Claim, 7 Drawing Sheets



(56)

References Cited

U.S. PATENT DOCUMENTS

D503,289 S 3/2005 Eyman et al.
 6,877,814 B2 4/2005 Lin
 6,883,862 B1 4/2005 Yao
 D507,121 S * 7/2005 Eyman et al. D6/344
 D507,616 S 7/2005 Simpson
 D507,891 S 8/2005 Eyman et al.
 6,938,951 B1 9/2005 Tseng
 6,939,241 B1 * 9/2005 Chang 473/197
 6,957,852 B1 10/2005 Hsieh
 6,971,712 B1 12/2005 Tseng
 7,000,983 B1 2/2006 Tsai
 D516,330 S * 3/2006 Ruitter D6/370
 7,011,372 B1 3/2006 Hsieh
 7,144,078 B2 12/2006 Hsieh
 7,178,864 B2 2/2007 Hsieh
 7,264,245 B2 * 9/2007 Cho 273/396
 D554,873 S 11/2007 Ma
 D555,378 S 11/2007 Tsai
 7,311,617 B2 * 12/2007 Langhorn 473/446
 D565,310 S * 4/2008 Marin et al. D6/334
 D571,572 S 6/2008 Tseng
 7,401,785 B1 7/2008 Waite
 7,404,601 B2 7/2008 Cheng
 7,540,259 B2 * 6/2009 Pape et al. 119/28.5
 D608,104 S * 1/2010 Vonnegut D6/372
 7,648,421 B2 1/2010 Yoon
 7,878,585 B2 * 2/2011 Salisbury 297/180.14

D637,828 S * 5/2011 Horn et al. D6/344
 7,938,489 B2 * 5/2011 Nazari 297/314
 7,967,374 B2 6/2011 Akkad
 D649,800 S 12/2011 Lievore et al.
 D656,326 S 3/2012 Soewondo
 8,282,509 B1 10/2012 Michaelson et al.
 D677,920 S 3/2013 Christakos
 D681,970 S 5/2013 Christakos
 D683,156 S * 5/2013 Christakos D6/368
 D688,057 S * 8/2013 Christakos D6/368
 D691,384 S * 10/2013 Akkad D6/368
 D701,703 S * 4/2014 Aiello D6/363
 2001/0009871 A1 7/2001 Cho
 2002/0183128 A1 12/2002 Cho
 2003/0008721 A1 1/2003 Macaluso
 2003/0060309 A1 * 3/2003 Smith, IV 473/431
 2003/0078111 A1 4/2003 Wenzler
 2003/0168900 A1 * 9/2003 Poli 297/452.13
 2003/0234561 A1 12/2003 Zheng
 2004/0245810 A1 12/2004 Tseng
 2005/0088018 A1 4/2005 Yao
 2006/0232108 A1 10/2006 Hsieh
 2006/0249991 A1 11/2006 Hsieh
 2007/0052178 A1 3/2007 Cottrell
 2007/0063550 A1 3/2007 Lin
 2007/0187897 A1 * 8/2007 Dilling 273/407
 2007/0187998 A1 8/2007 Chen
 2010/0164256 A1 7/2010 Salisbury
 2011/0043003 A1 * 2/2011 Akkad 297/16.1

* cited by examiner

Fig. 1

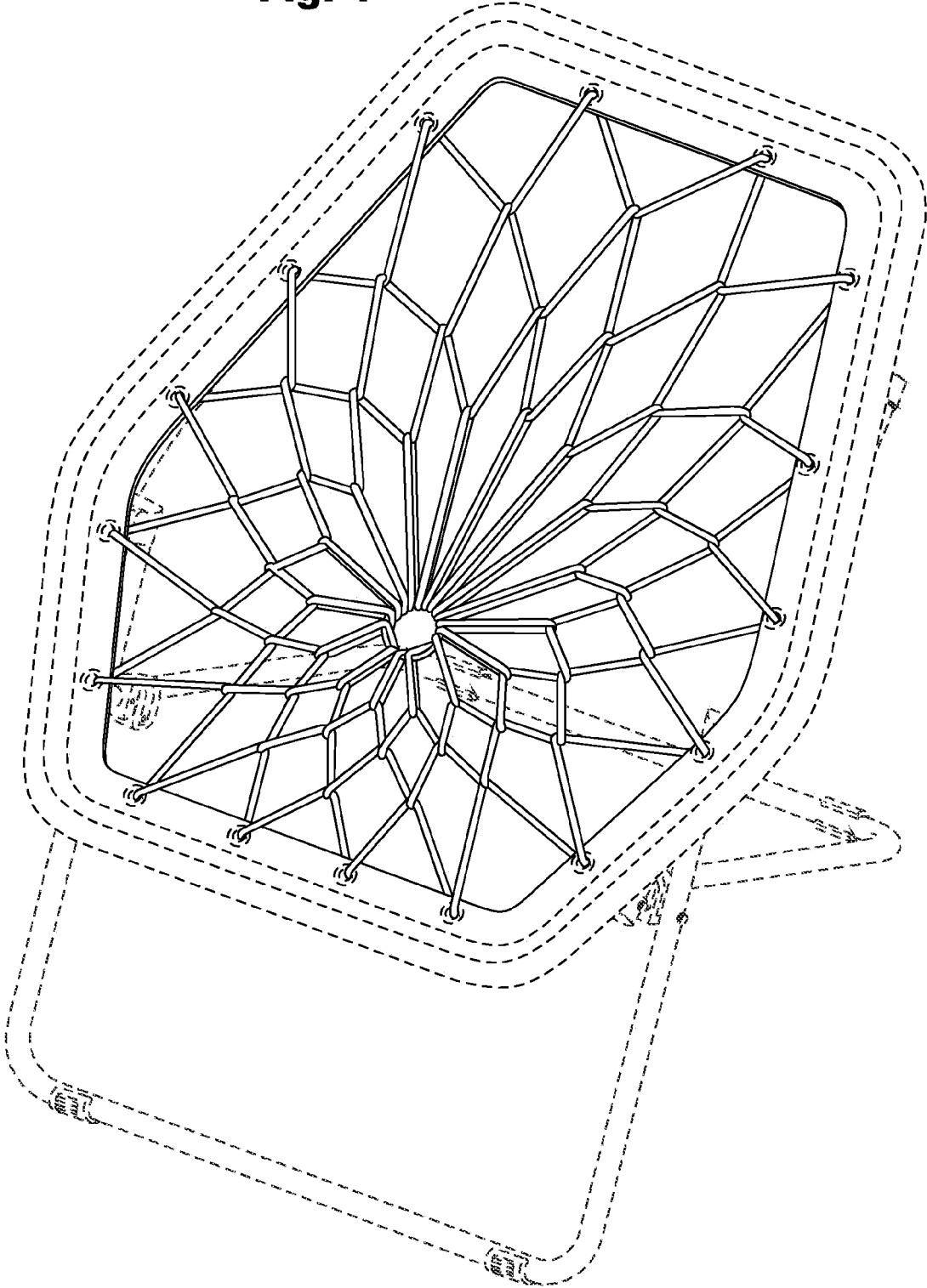


Fig. 2

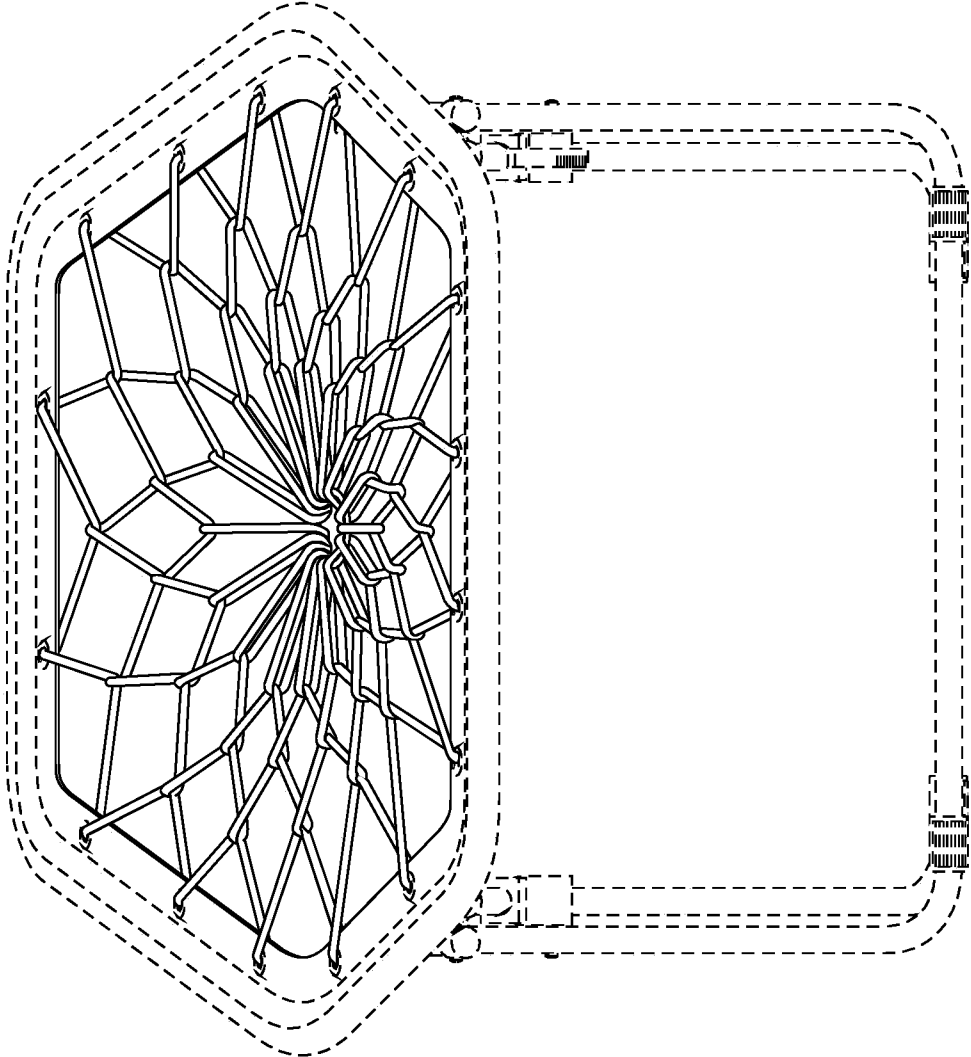


Fig. 3

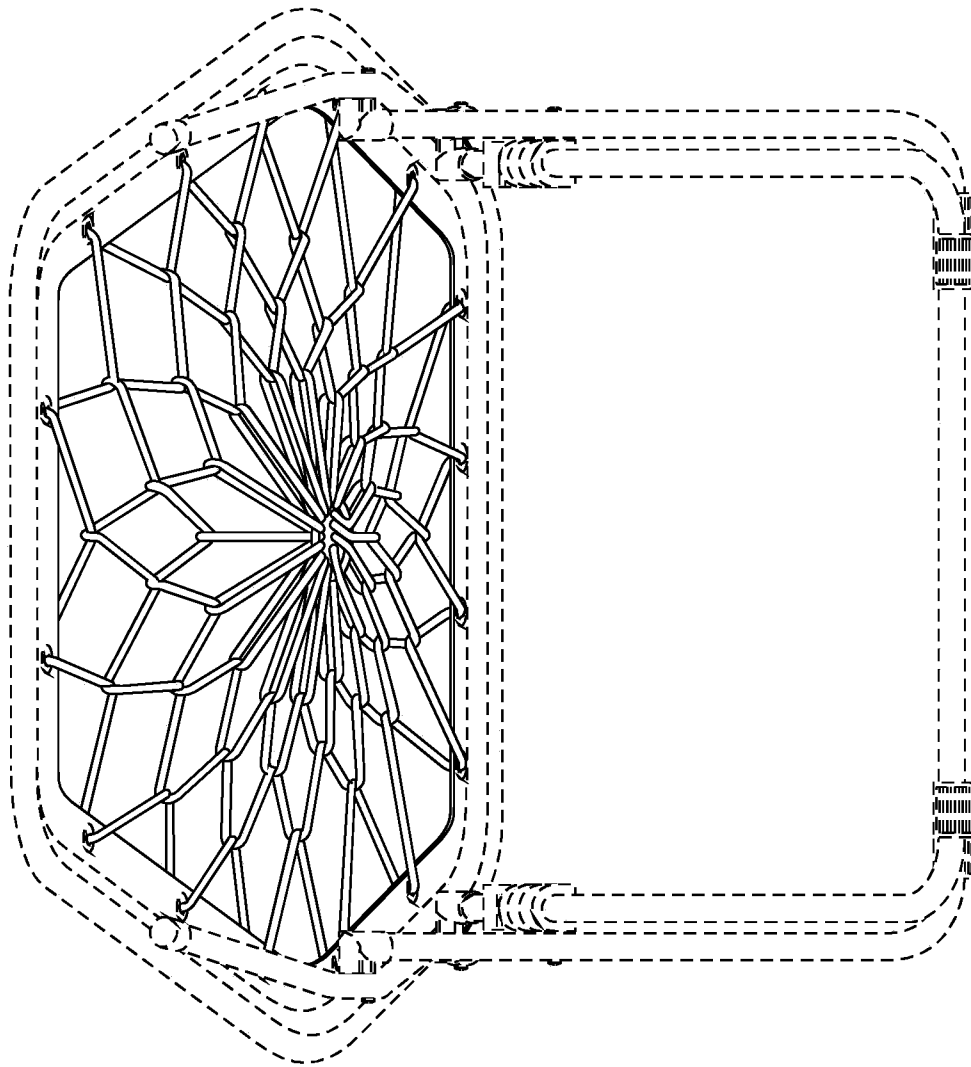


Fig. 4

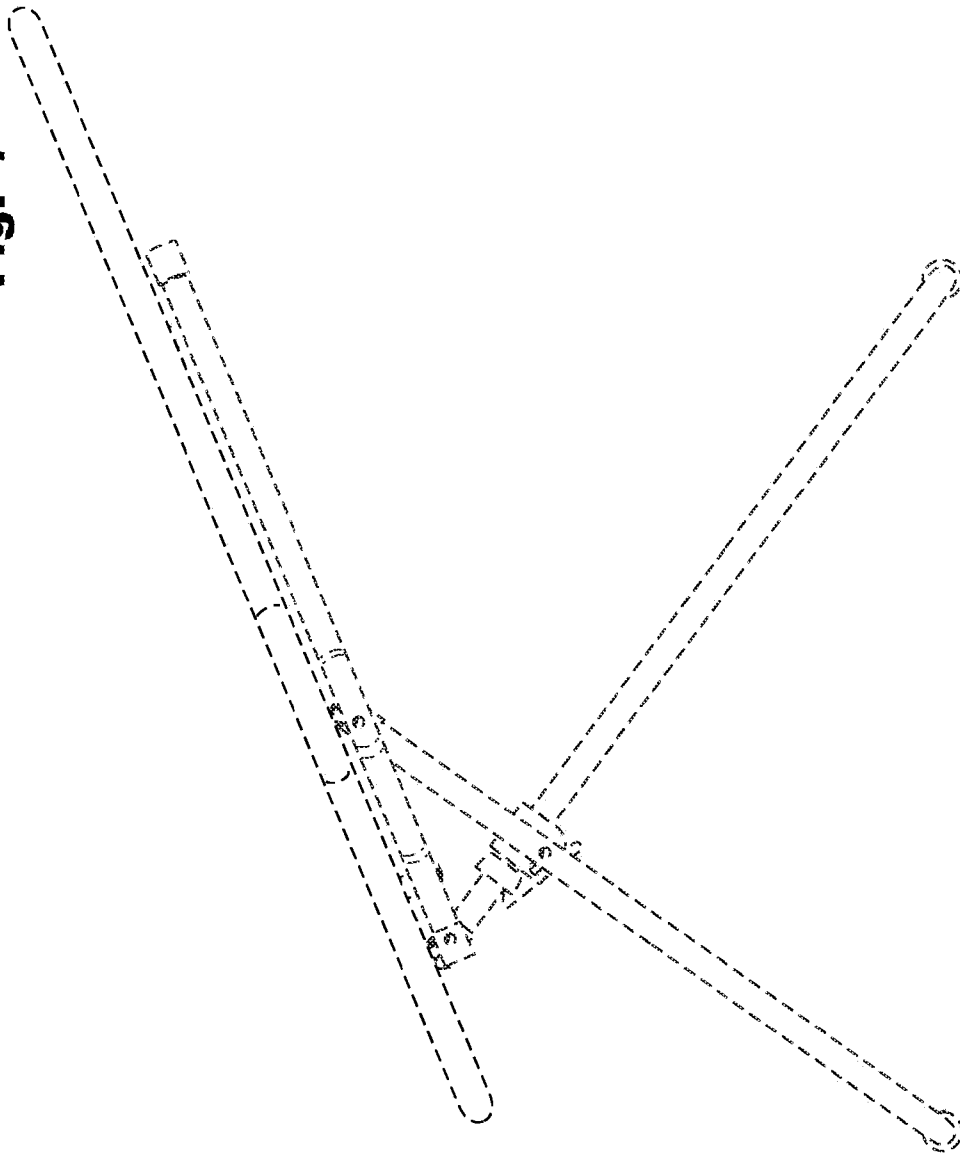
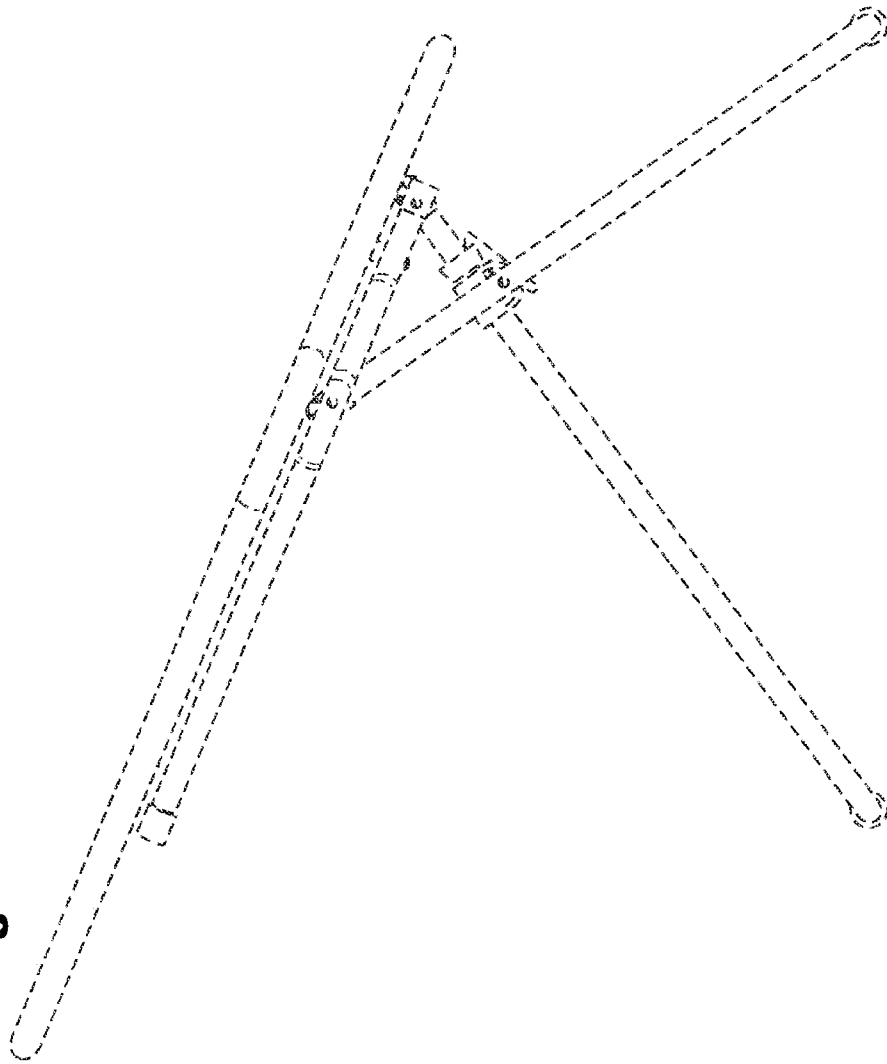


Fig. 5



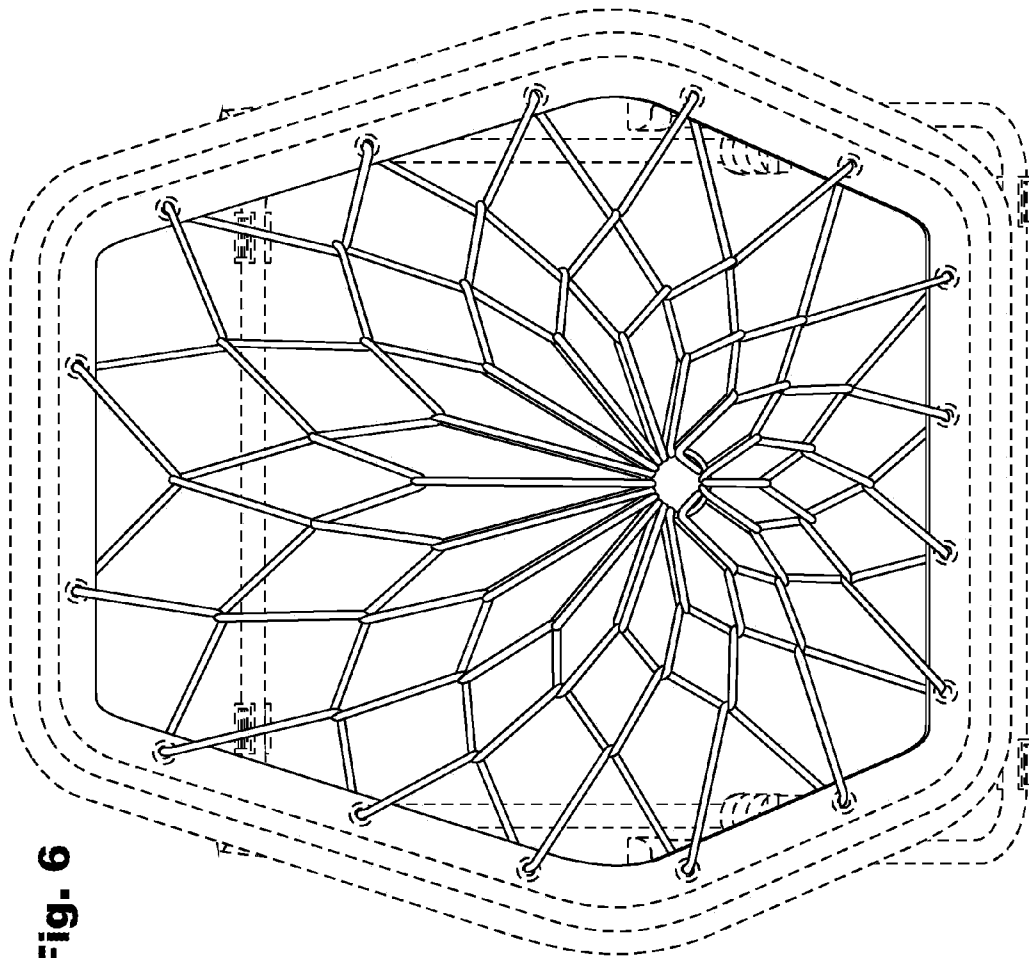


Fig. 6

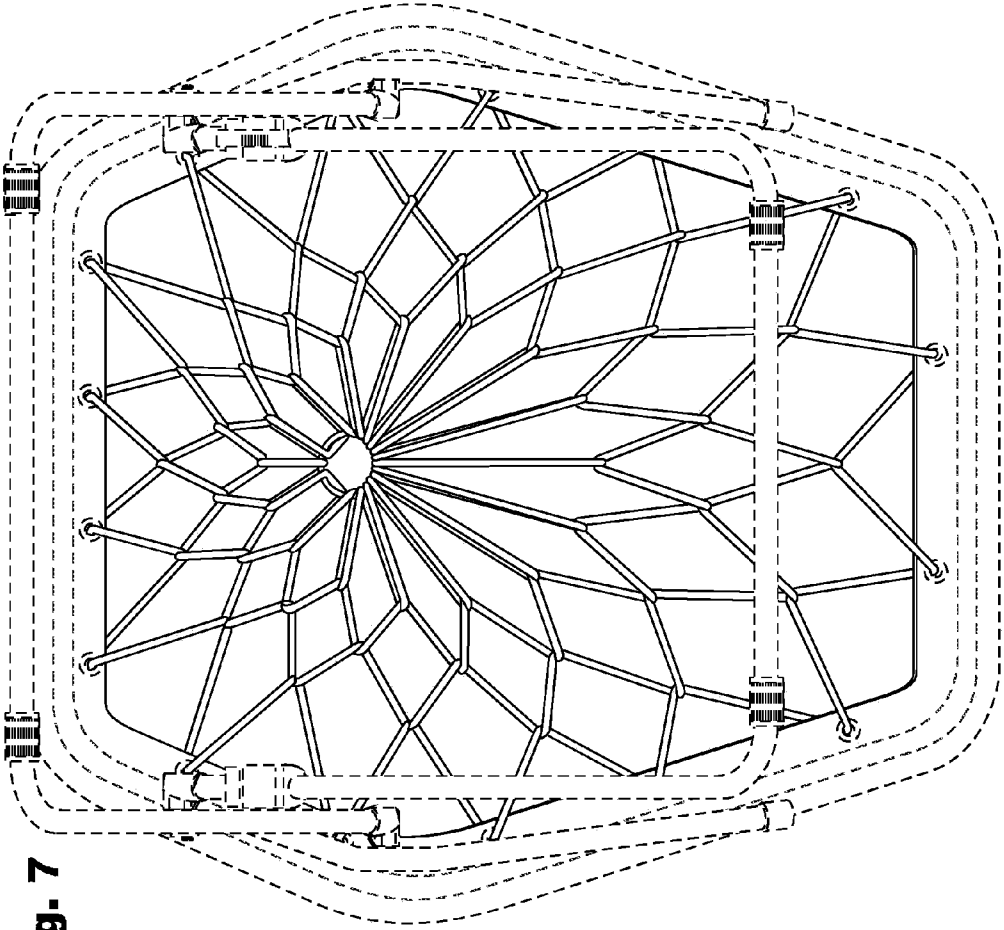


Fig. 7