



US00D782733S

(12) **United States Design Patent**
Smith et al.

(10) **Patent No.:** **US D782,733 S**
(45) **Date of Patent:** **** Mar. 28, 2017**

(54) **HAIR APPLIANCE**
(71) Applicant: **Dyson Technology Limited**, Wiltshire (GB)
(72) Inventors: **Stephen Farrar Smith**, Bristol (GB); **Philip Jonathan Stephens**, Derby (GB); **Andrea Ee-Va Lim**, Bristol (GB); **Christopher William Hedges**, Guildford (GB); **Thomas James Kerr**, West Sussex (GB)

D201,908 S * 8/1965 Meyer D16/135
D237,117 S 10/1975 Orsoff
D239,471 S 4/1976 Gonzales
D248,048 S * 5/1978 Cousins D28/13
D257,492 S * 11/1980 Cousins D28/13
D259,284 S 5/1981 Megna
D260,189 S 8/1981 Winkler
D262,062 S * 11/1981 Nagelkerke D28/13
D290,174 S * 6/1987 Tsuji D28/13

(Continued)

(73) Assignee: **Dyson Technology Limited**, Malmesbury, Wiltshire (GB)

(**) Term: **15 Years**

(21) Appl. No.: **29/532,997**

(22) Filed: **Jul. 13, 2015**

(30) **Foreign Application Priority Data**

Jan. 12, 2015 (EM) 001428080-0001

(51) **LOC (10) Cl.** **28-03**

(52) **U.S. Cl.**
USPC **D28/13**

(58) **Field of Classification Search**
USPC D28/12-19; D8/29.1; D32/17-18,
D32/31-34; D23/223, 360, 356, 358;
D26/37
CPC A45D 20/12; A45D 20/00
See application file for complete search history.

(56) **References Cited**

U.S. PATENT DOCUMENTS

538,826 A * 5/1895 Foglesong A61H 33/12
34/101
1,053,665 A 2/1913 Spencer
D184,467 S 2/1959 Wistrand
D200,093 S 1/1965 Frost

OTHER PUBLICATIONS

Dyson's Supersonic hairdryer promises your most deluxe blow-dry ever—for a price, posted date Apr. 26, 2016, cnet.com, © 2016 Elite Hotel Supplier, site visited Aug. 12, 2016, Available from Internet, <<http://www.cnet.com/products/dyson-supersonic/>>.*

(Continued)

Primary Examiner — Cathron Brooks

Assistant Examiner — Sharon S Oum

(74) *Attorney, Agent, or Firm* — Morrison & Foerster LLP

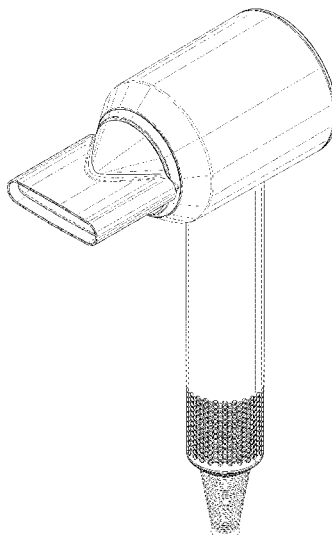
(57) **CLAIM**

We claim the ornamental design for a hair appliance, as shown and described.

DESCRIPTION

FIG. 1 is a front perspective view of a hair appliance showing our new design;
FIG. 2 is a rear perspective view thereof;
FIG. 3 is a front view thereof;
FIG. 4 is a rear view thereof;
FIG. 5 is a side view thereof;
FIG. 6 is a top view thereof; and,
FIG. 7 is a bottom view thereof.
The broken lines shown in the drawings illustrate portions of the hair appliance that form no part of the claimed design.

1 Claim, 7 Drawing Sheets



(56)

References Cited

U.S. PATENT DOCUMENTS

D341,452 S * 11/1993 Songer 15/394
 D352,365 S * 11/1994 Hansen D28/13
 D375,822 S 11/1996 Lessig, III et al.
 D386,815 S * 11/1997 Muller D28/13
 D391,704 S 3/1998 Facer
 D422,114 S * 3/2000 Gudefin D28/13
 D438,340 S 2/2001 Gudefin
 D453,246 S 1/2002 Nimmo
 D453,813 S * 2/2002 Gottwald D23/223
 D483,521 S 12/2003 Micinilio et al.
 6,751,886 B2 * 6/2004 Chang A45D 20/50
 34/96
 D538,986 S 3/2007 Ingram
 D555,765 S * 11/2007 Bosio D23/223
 D572,097 S * 7/2008 Yung-Kuan D28/13
 D600,405 S 9/2009 Soresina et al.
 D619,210 S * 7/2010 Jian D23/223
 D653,393 S * 1/2012 Oh D28/13
 D676,195 S 2/2013 Julemont
 D676,600 S 2/2013 Thrasher, Jr.
 D696,386 S 12/2013 Schoenherr et al.
 D702,322 S 4/2014 Sieger
 D707,337 S 6/2014 McDonnell
 D715,996 S * 10/2014 Dyson D28/13
 D716,492 S * 10/2014 Dyson D28/13
 D747,579 S 1/2016 Cole et al.
 D757,362 S * 5/2016 Dyson D28/13

2013/0111777 A1 * 5/2013 Jeong A45D 20/12
 34/97
 2013/0269200 A1 * 10/2013 Moloney A45D 20/00
 34/97
 2015/0007442 A1 1/2015 Gammack et al.
 2015/0026993 A1 1/2015 Sutter et al.
 2015/0157107 A1 * 6/2015 Gosnay A45D 20/12
 34/96
 2015/0366316 A1 12/2015 Soresina et al.
 2016/0143409 A1 * 5/2016 Moloney A45D 20/08
 34/97
 2016/0206077 A1 * 7/2016 Stephens A45D 20/10

OTHER PUBLICATIONS

Smith et al., U.S. Office Action mailed Aug. 25, 2016, directed to U.S. Appl. No. 29/532,988; 8 pages.
 Smith et al., U.S. Office Action mailed Aug. 26, 2016, directed to U.S. Appl. No. 29/532,985; 7 pages.
 Sutter et al., U.S. Office Action mailed Aug. 26, 2016, directed to U.S. Appl. No. 29/532,990; 7 pages.
 Smith et al., U.S. Office Action mailed Sep. 1, 2016, directed to U.S. Appl. No. 29/532,994; 7 pages.
 Smith et al., U.S. Office Action mailed Sep. 1, 2016, directed to U.S. Appl. No. 29/532,996; 7 pages.
 Smith et al., U.S. Office Action mailed Sep. 2, 2016, directed to U.S. Appl. No. 29/532,992; 8 pages.

* cited by examiner

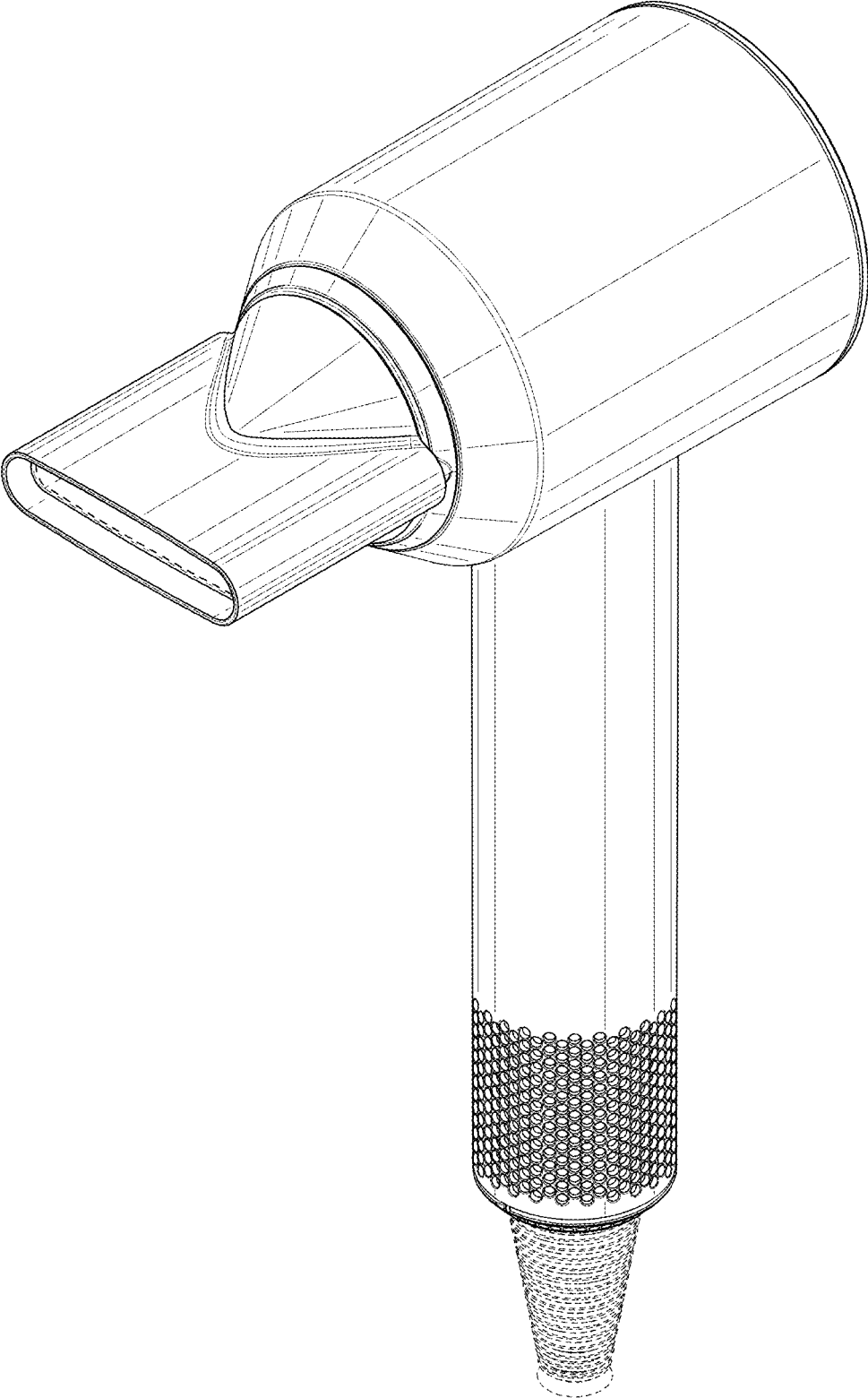


FIG. 1

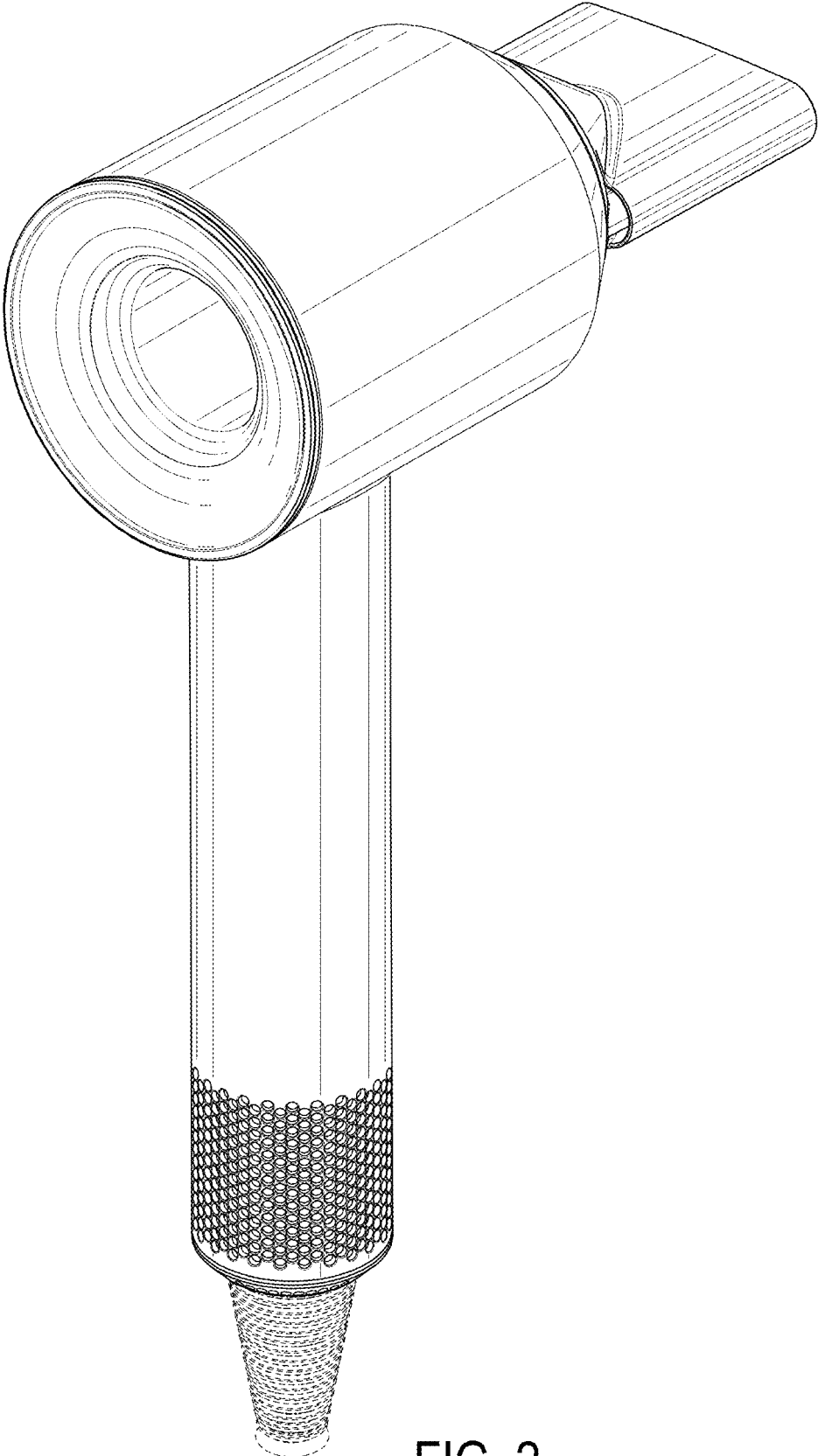


FIG. 2

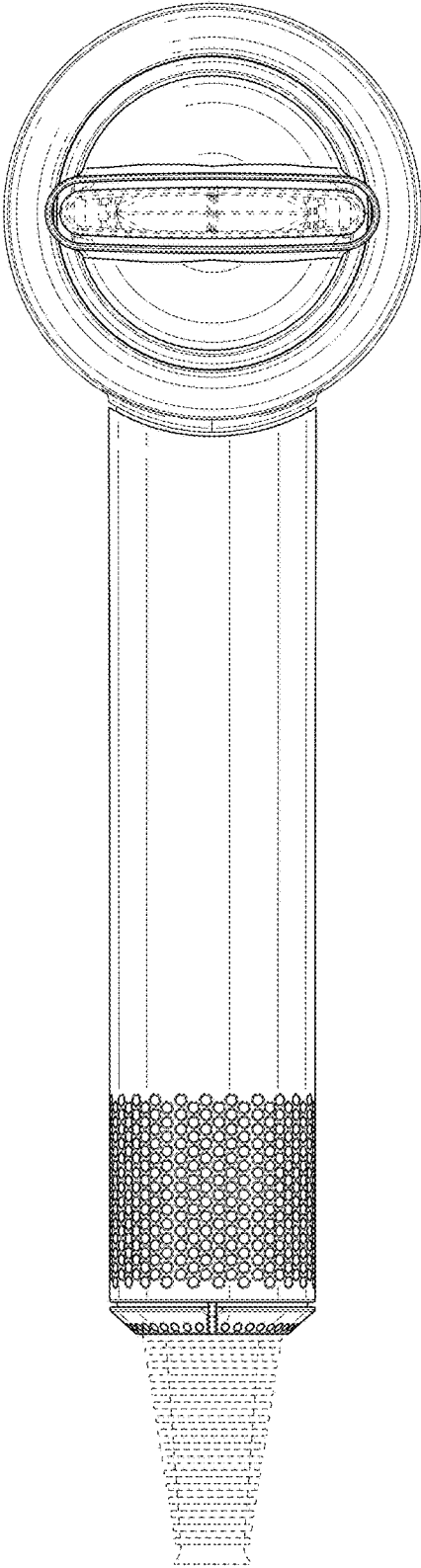


FIG. 3

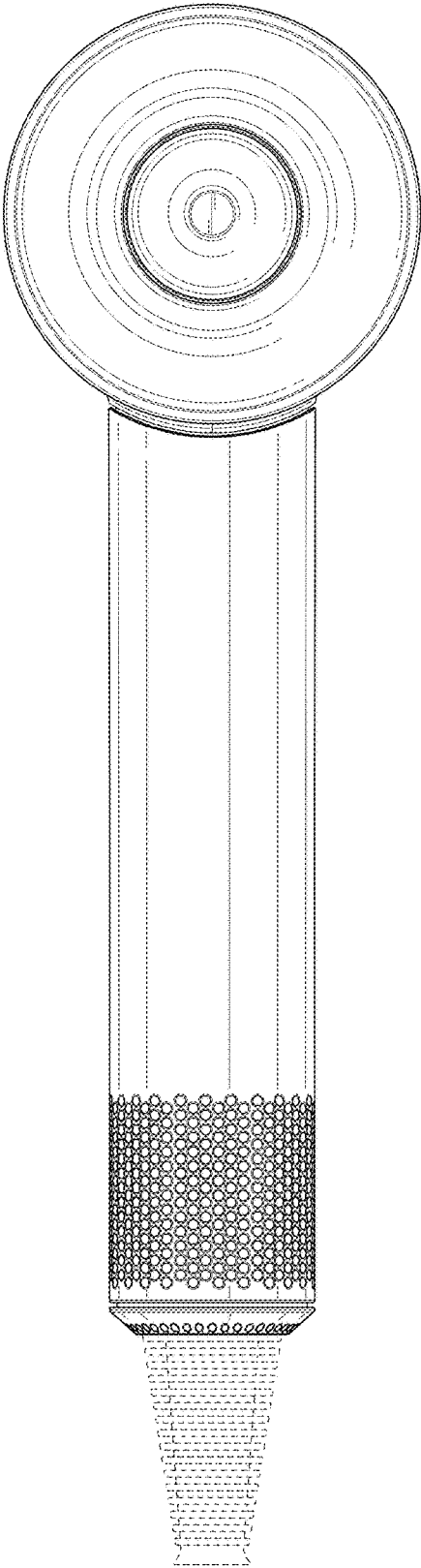


FIG. 4

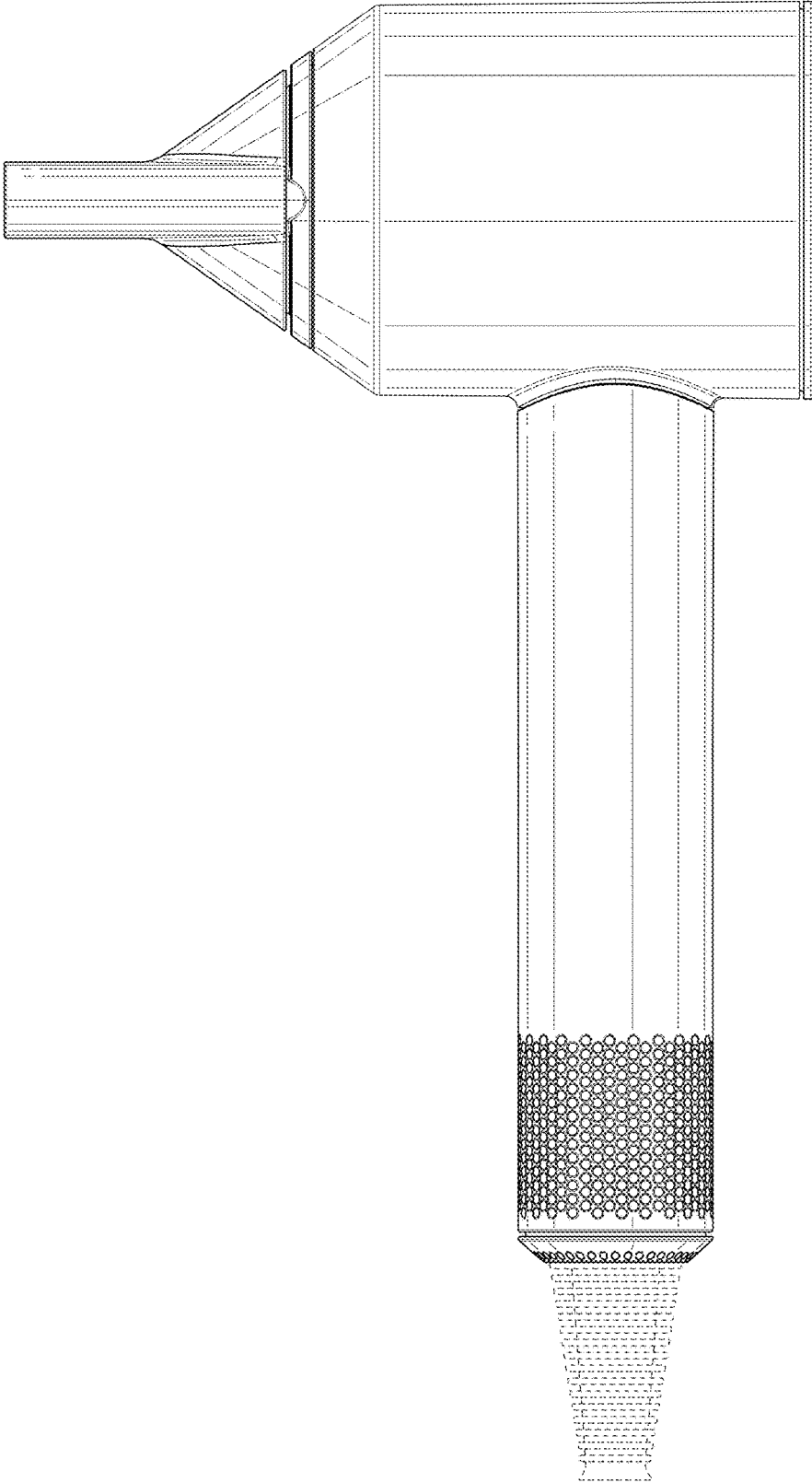


FIG. 5

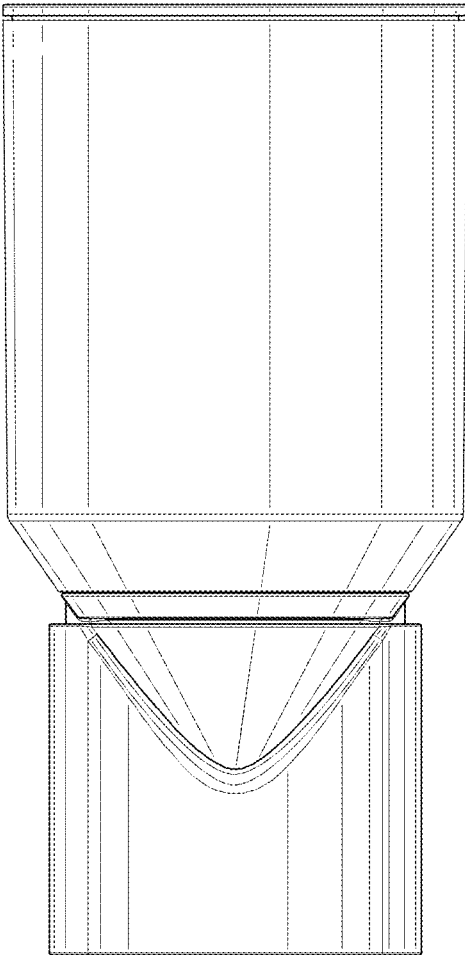


FIG. 6

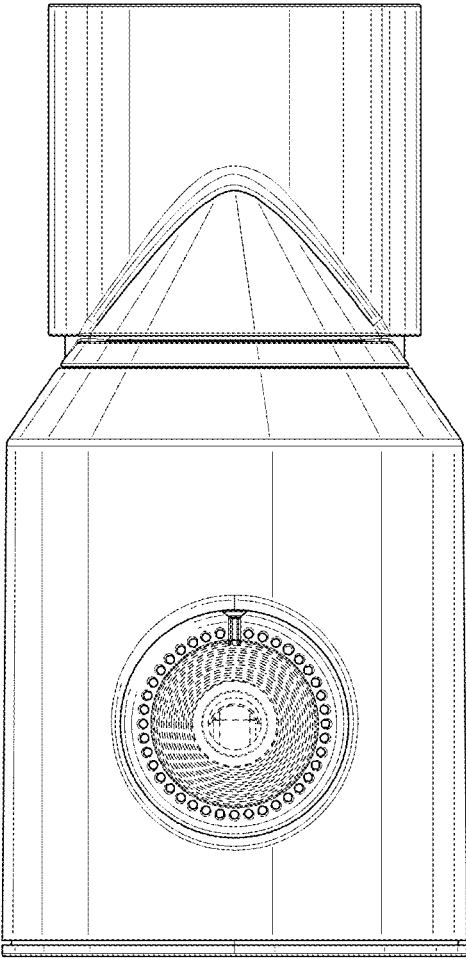


FIG. 7