



US00D411429S

# United States Patent [19] Gringer

[11] Patent Number: Des. 411,429

[45] Date of Patent: \*\* Jun. 22, 1999

[54] FOLDING POCKET SAW

[75] Inventor: Donald Gringer, County of New York, N.Y.

[73] Assignee: Allway Tools, Inc., Bronx, N.Y.

[\*\*] Term: 14 Years

[21] Appl. No.: 29/090,379

[22] Filed: Jul. 7, 1998

[51] LOC (6) Cl. .... 08-03

[52] U.S. Cl. .... D8/95; D8/99

[58] Field of Search ..... D8/95, 96, 97, D8/98, 99, 105, 107; 30/166.3, 162, 155, 156, 517, 515, 519, 125

[56] **References Cited**

**U.S. PATENT DOCUMENTS**

D. 306,817	3/1990	McMorrough	.....	D8/99
D. 307,702	5/1990	Hsu	.....	D8/99
D. 357,166	4/1995	Concari	.....	D8/99
D. 397,281	8/1998	Hsu et al.	.....	D8/99
4,627,165	12/1986	Gibson	.....	30/166.3
4,890,387	1/1990	Canino	.....	30/162
5,661,908	9/1997	Chen	.....	30/161

Primary Examiner—Philip S. Hyder

Attorney, Agent, or Firm—David M. Klein; Shearman & Sterling

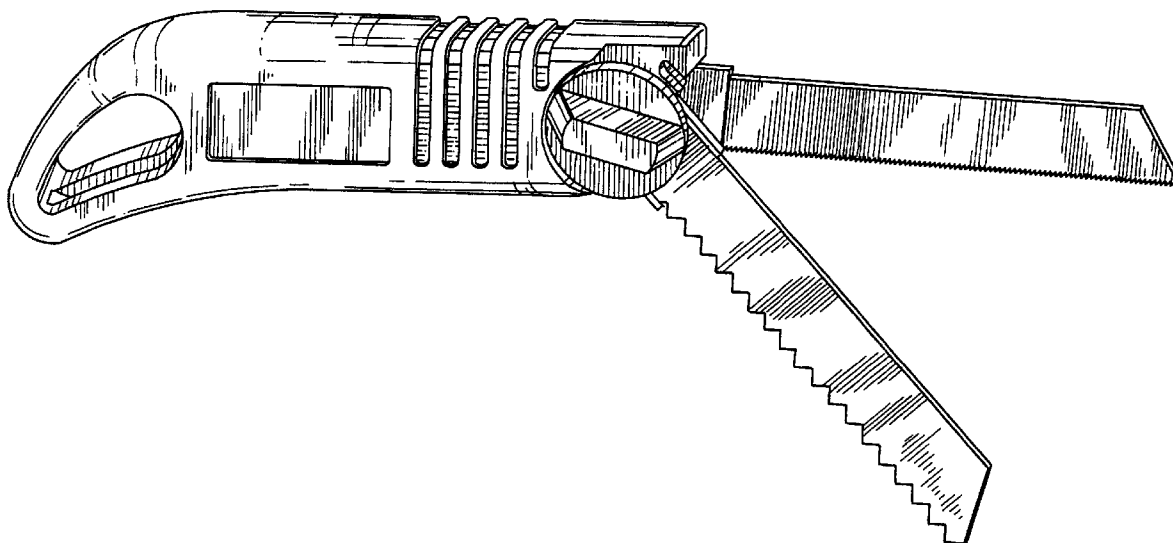
[57] **CLAIM**

The ornamental design for a folding pocket saw, as shown and described.

**DESCRIPTION**

FIG. 1 is a perspective view of the folding pocket saw design of the invention;  
 FIG. 2 is a left side view of the folding pocket saw design shown in FIG. 1;  
 FIG. 3 is a right side view of the folding pocket saw design shown in FIG. 1;  
 FIG. 4 is a bottom view of the folding pocket saw design shown in FIG. 1;  
 FIG. 5 is a top view of the folding pocket saw design shown in FIG. 1;  
 FIG. 6 is an end view of the folding pocket saw design with one blade in a partially open position and the other blade in a storage position;  
 FIG. 7 is an opposite end view of the folding pocket saw design with one blade in a partially open position and the other blade in a storage position; and,  
 FIG. 8 is a perspective view of the folding pocket saw design with both blades in a storage position.

1 Claim, 6 Drawing Sheets



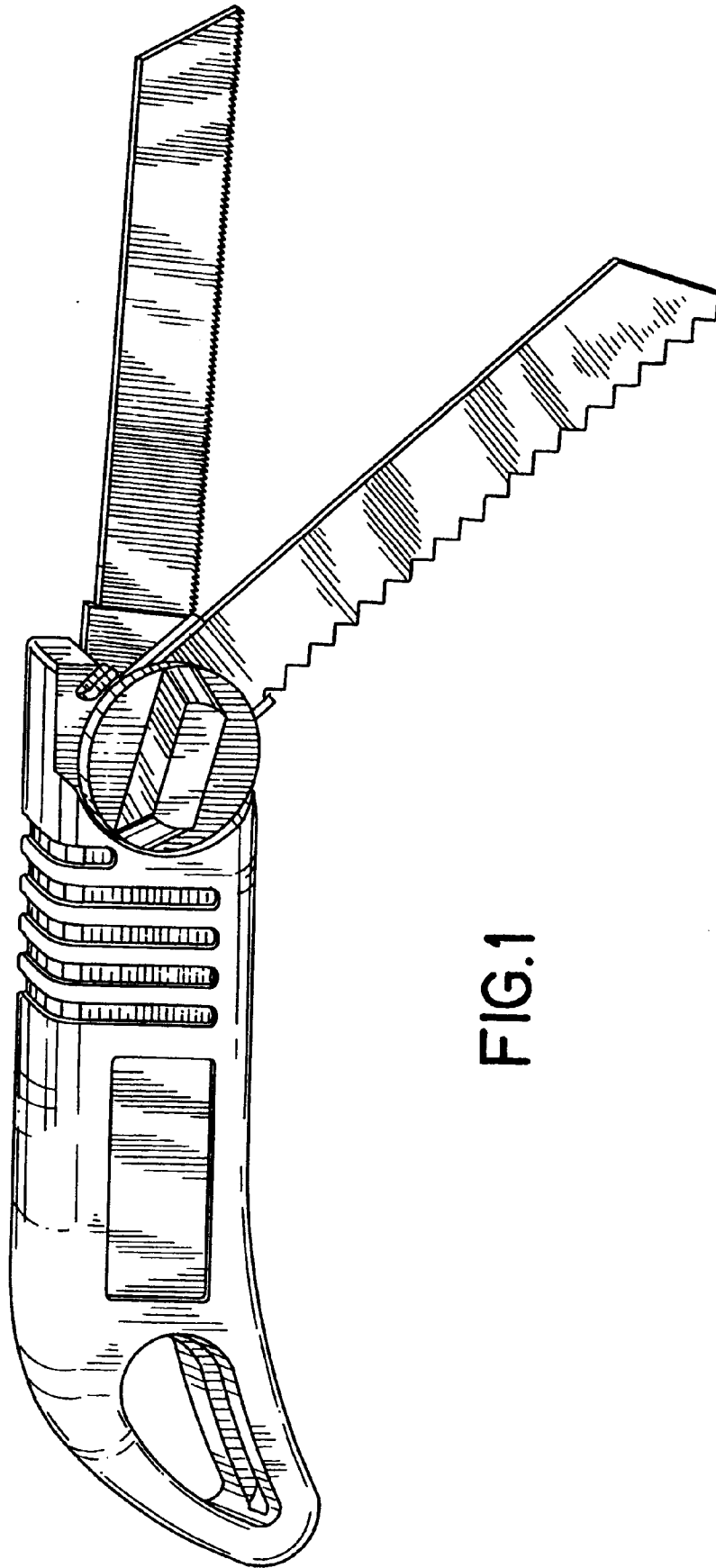


FIG.1

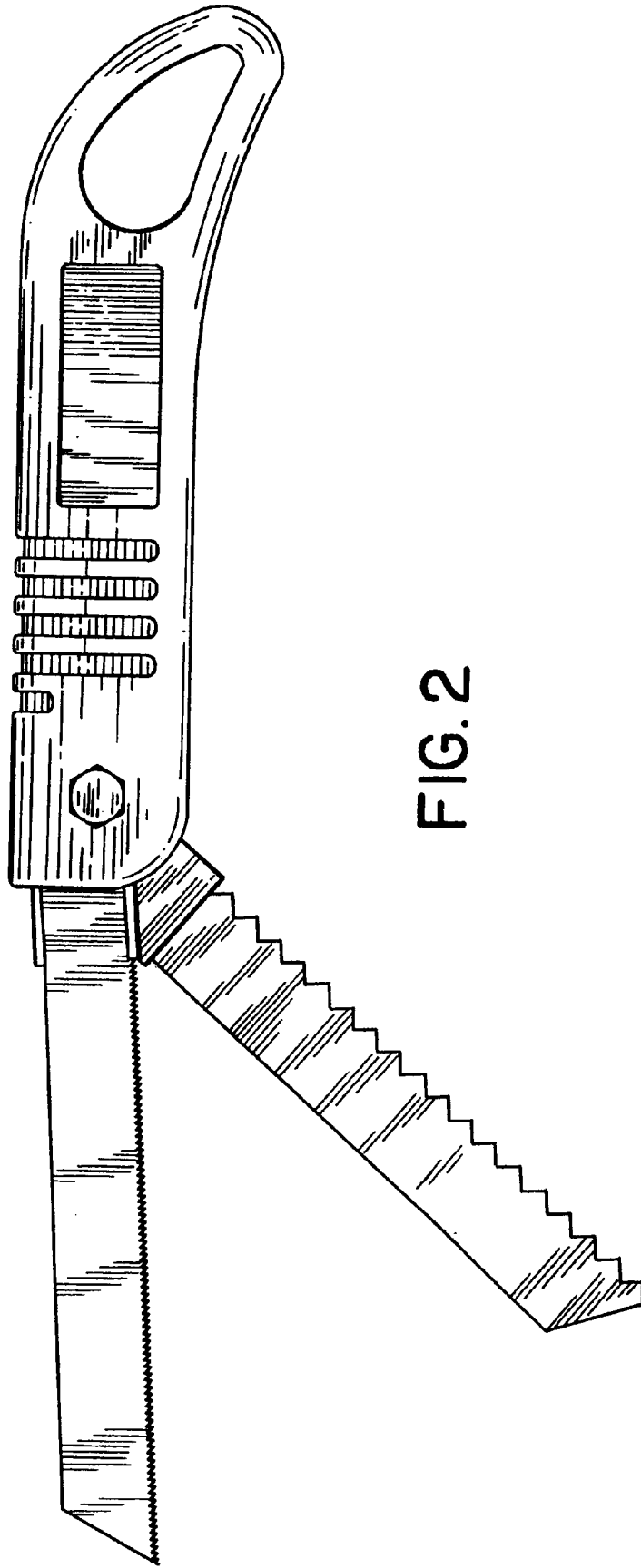


FIG. 2

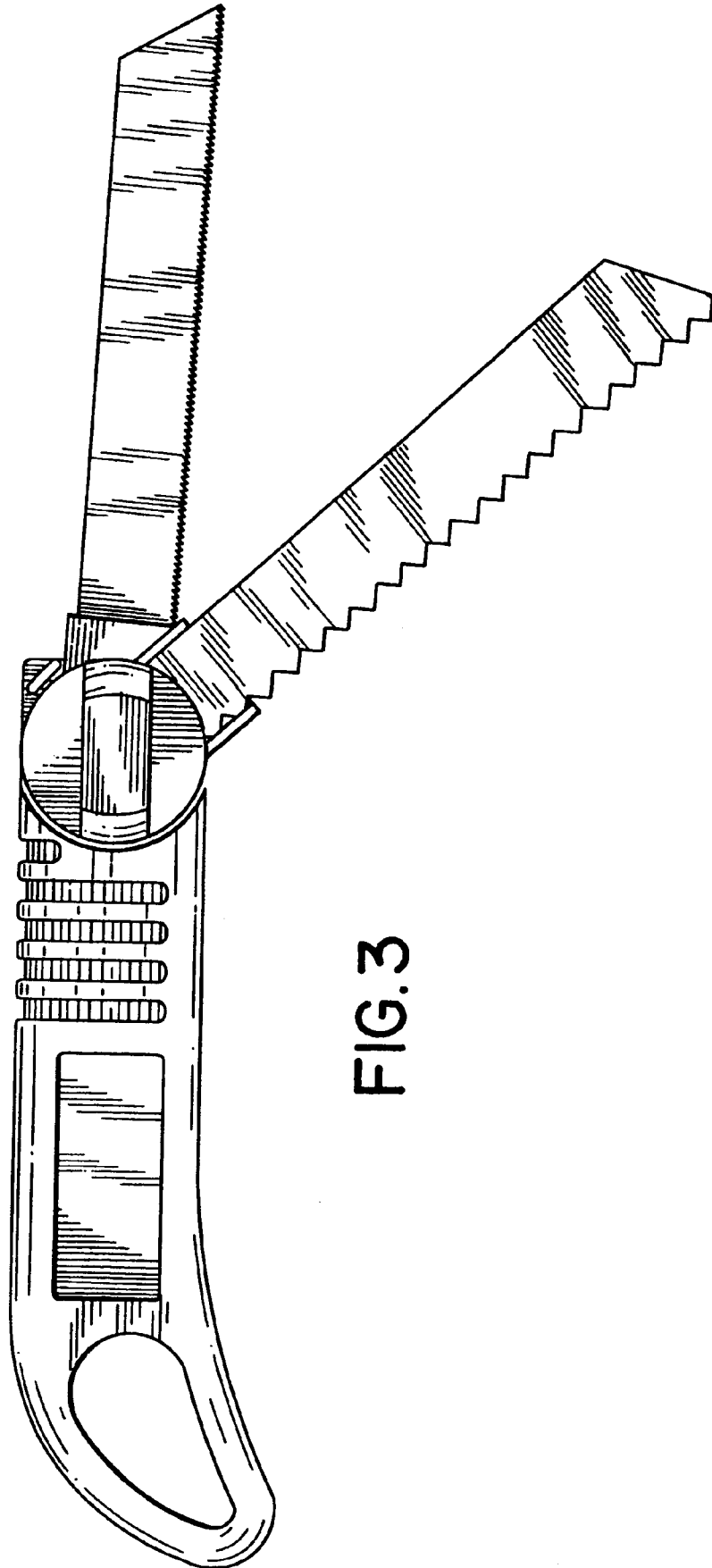


FIG. 3

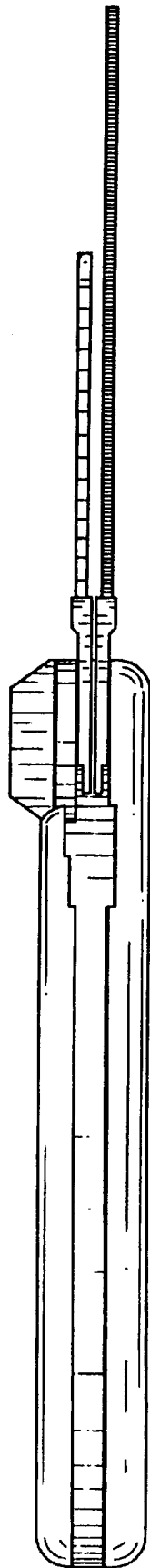


FIG. 4

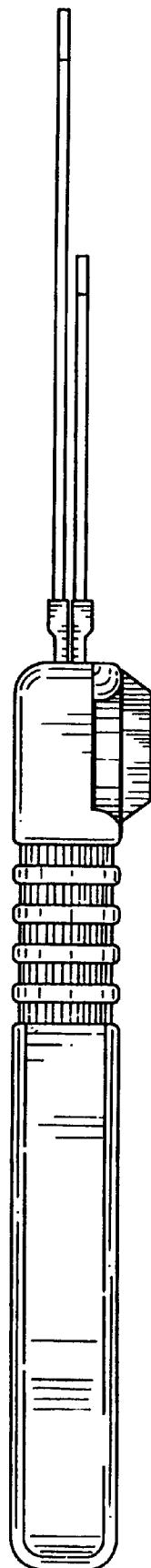


FIG. 5

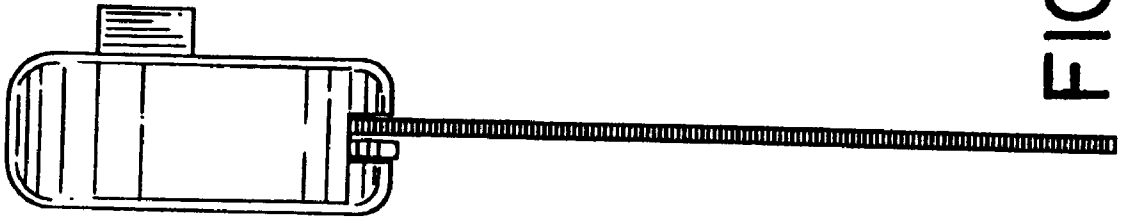


FIG. 7



FIG. 6

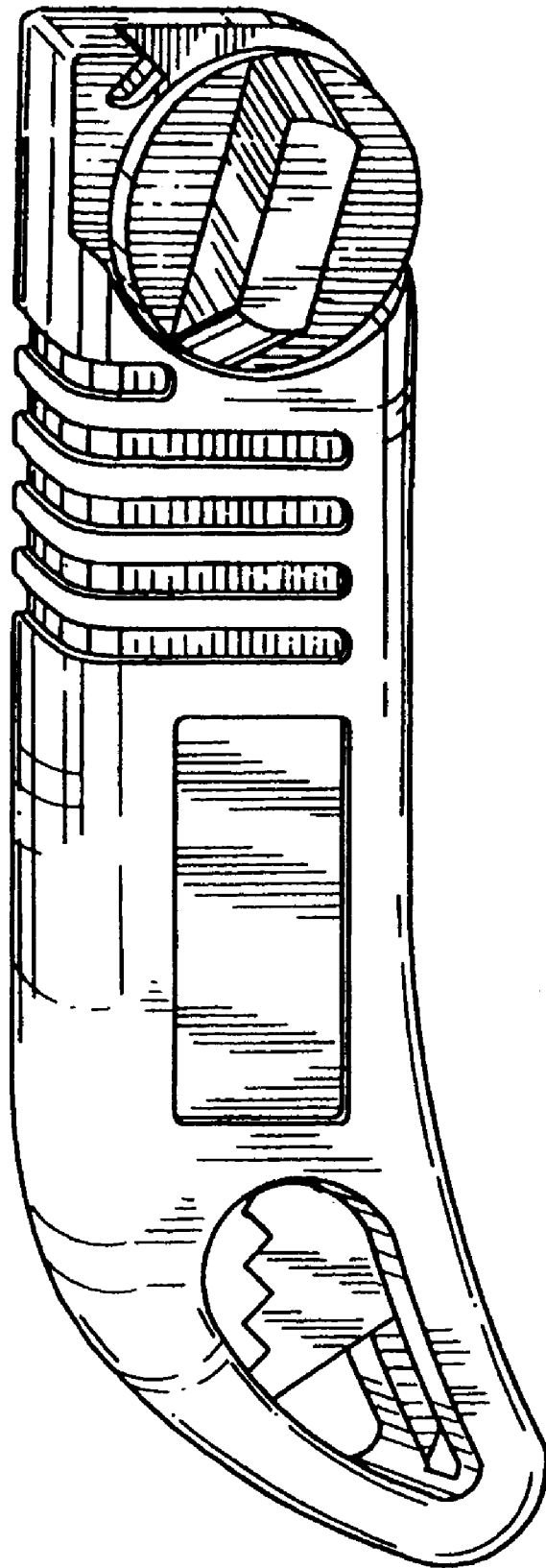


FIG.8