



US00D744696S

(12) **United States Design Patent**
Malhi

(10) **Patent No.:** **US D744,696 S**

(45) **Date of Patent:** **** Dec. 1, 2015**

- (54) **E-CIGARETTE MOUTHPIECE**
- (71) Applicant: **Anil K Malhi**, Riverside, CA (US)
- (72) Inventor: **Anil K Malhi**, Riverside, CA (US)
- (**) Term: **14 Years**
- (21) Appl. No.: **29/492,723**
- (22) Filed: **Jun. 2, 2014**
- (51) **LOC (10) Cl.** **27-02**
- (52) **U.S. Cl.**
USPC **D27/170; D27/169**
- (58) **Field of Classification Search**
USPC D27/101, 162, 163, 164, 167, 169, 170,
D27/172, 183, 193, 194; 131/71, 76, 175,
131/187, 191, 258, 270, 273, 361; D24/110
CPC A24F 7/00; A24F 7/02; A24F 7/04;
A24F 13/02; A24F 47/008
See application file for complete search history.

| | | | | |
|-------------------|---------|----------|-------|---------------------------|
| D634,065 S * | 3/2011 | Borushek | | D27/170 |
| D658,807 S * | 5/2012 | Aboushi | | D27/169 |
| D687,181 S | 7/2013 | Goch | | |
| D688,416 S * | 8/2013 | Liu | | D27/101 |
| D724,263 S * | 3/2015 | Malhi | | D27/101 |
| D724,780 S * | 3/2015 | Wu | | D27/101 |
| D728,156 S * | 4/2015 | Wu | | D27/101 |
| D729,440 S * | 5/2015 | Liu | | D27/101 |
| D739,601 S * | 9/2015 | Bahbah | | D27/170 |
| 2012/0305010 A1 * | 12/2012 | Mishra | | A24F 13/02 131/227 |
| 2013/0180533 A1 * | 7/2013 | Kim | | A24F 47/008 131/273 |
| 2015/0090253 A1 * | 4/2015 | Farrow | | A24F 47/008 128/200.14 |

* cited by examiner

Primary Examiner — Susan Bennett Hattan

Assistant Examiner — Janice Hallmark

(74) *Attorney, Agent, or Firm* — Robert J. Lauson; Lauson & Tarver LLP

(57) **CLAIM**

I claim an ornamental design for the e-cigarette mouthpiece, substantially as shown and described.

(56) **References Cited**

U.S. PATENT DOCUMENTS

| | | | | |
|---------------|---------|---------------|-------|-----------------------|
| D42,092 S * | 1/1912 | Shunk | | D11/160 |
| D72,012 S * | 2/1927 | Burnee | | D27/170 |
| D86,086 S * | 1/1932 | Johnston | | D27/170 |
| 2,159,018 A * | 5/1939 | Dye | | A24F 13/02 131/178 |
| D129,846 S * | 10/1941 | Lemoyne | | 131/175 |
| D143,725 S * | 2/1946 | Grandon | | D27/164 |
| D197,689 S * | 3/1964 | Levin | | D27/164 |
| D485,639 S * | 1/2004 | Stronski | | D27/170 |
| D588,741 S * | 3/2009 | Murdaugh, III | | D27/169 |
| D604,010 S * | 11/2009 | Borden | | D27/164 |

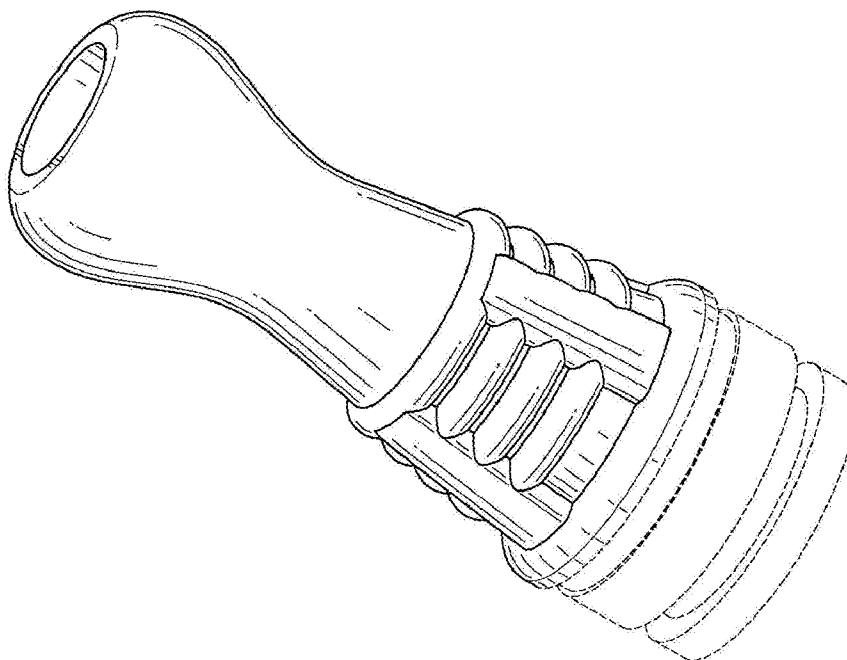
DESCRIPTION

FIG. 1 is a perspective view of an e-cigarette mouthpiece. FIG. 2 is a side view thereof; and, FIG. 3 is a front view thereof.

The broken lines in the drawings depict the environment of the e-cigarette mouthpiece and form no part of the claimed design.

The rear view forms no part of the design and is omitted.

1 Claim, 1 Drawing Sheet



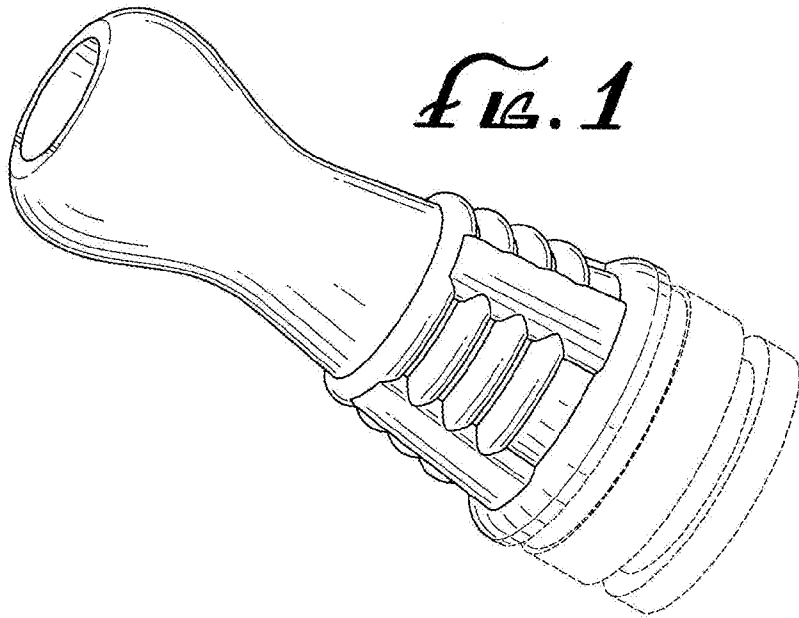


Fig. 1

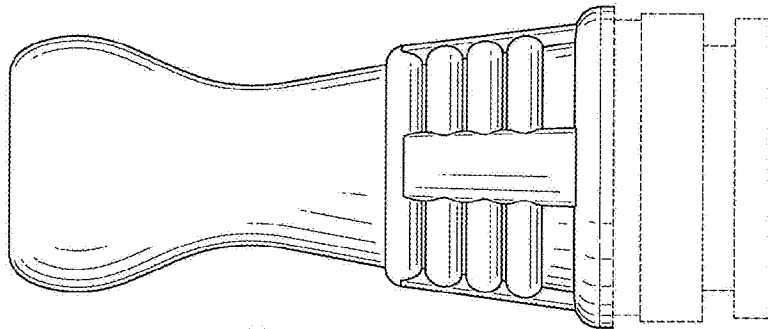


Fig. 2

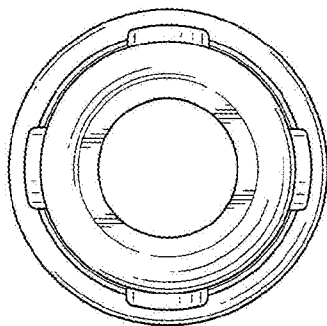


Fig. 3