



US00D421124S

United States Patent [19]

[11] Patent Number: **Des. 421,124**

Yavitz

[45] Date of Patent: **** Feb. 22, 2000**

[54] **MEMBRANE EYE SHIELD**

[76] Inventor: **Edward Q. Yavitz**, 3828 Spring Creek Rd., Rockford, Ill. 61114

[**] Term: **14 Years**

4,949,472	8/1990	Langley et al.	128/858
4,979,811	12/1990	Boyer	351/44
5,389,066	2/1995	Rhame, Jr.	602/74
5,661,850	9/1997	Martinique	2/15
5,740,550	4/1998	Yavitz	2/15

[21] Appl. No.: **29/090,613**

[22] Filed: **Apr. 13, 1998**

[51] **LOC (7) Cl.** **24-04**

[52] **U.S. Cl.** **D24/189**

[58] **Field of Search** D24/189; 128/858, 128/866, 889, 893; 2/15, 440, 909; 602/74; D16/313, 312, 100; D29/110

OTHER PUBLICATIONS

Brochure, Pro-ophta™, Adhesive Eye Dressing, Type S, No. 95 574.

Primary Examiner—Stella Reid
Attorney, Agent, or Firm—Fletcher, Yoder & Van Someren

[57] CLAIM

The ornamental design for a membrane eye shield, as shown and described.

[56] References Cited

U.S. PATENT DOCUMENTS

D. 311,409	10/1990	Goffman	D16/100
2,143,856	1/1939	Biggs	2/14
2,896,615	7/1959	Szigeti	128/132
3,068,863	12/1962	Bowman	128/132
3,092,103	6/1963	Mower	128/132
3,300,786	1/1967	Rosenvold et al.	2/2
3,952,735	4/1976	Wirtschafter et al.	128/163
3,973,561	8/1976	Kane	128/132
4,473,370	9/1984	Weiss	604/402
4,682,371	7/1987	Heltman	2/15
4,709,695	12/1987	Kohn et al.	128/132
4,793,003	12/1988	Riedel et al.	2/15
4,862,902	9/1989	Goffman	128/858
4,867,146	9/1989	Krupnick et al.	128/858

DESCRIPTION

FIG. 1 is a perspective view of a membrane eye shield showing my new design;
FIG. 2 is a top plan view thereof;
FIG. 3 is a bottom plan view thereof;
FIG. 4 is a front elevational view thereof, the rear elevational view being substantially a mirror image of the front elevational view; and,
FIG. 5 is an end view of the membrane eyeshield as seen from the left side, the end view as seen from the right side being substantially a mirror image thereof.
The broken line showing in FIGS. 1-5 is for illustrative purposes only and forms no part of the claimed design.

1 Claim, 2 Drawing Sheets

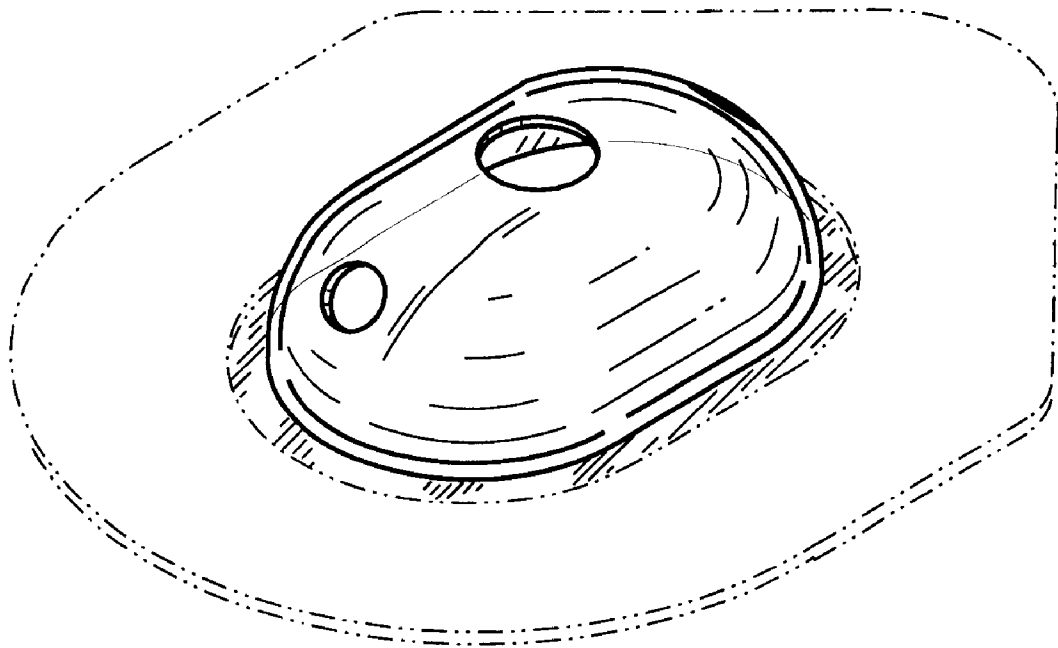


FIG. 1

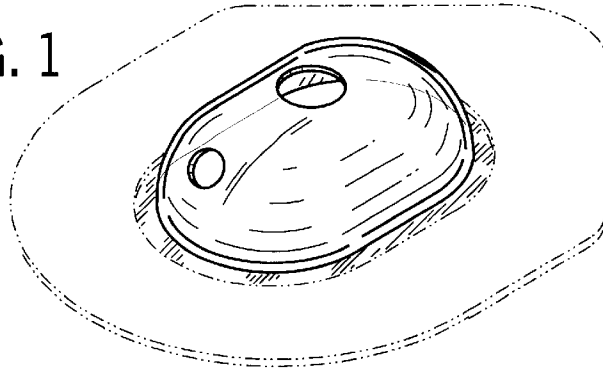


FIG. 2

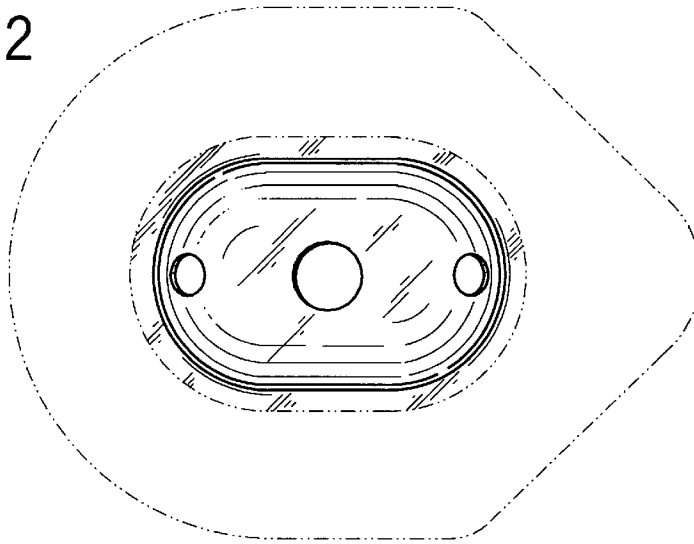


FIG. 3

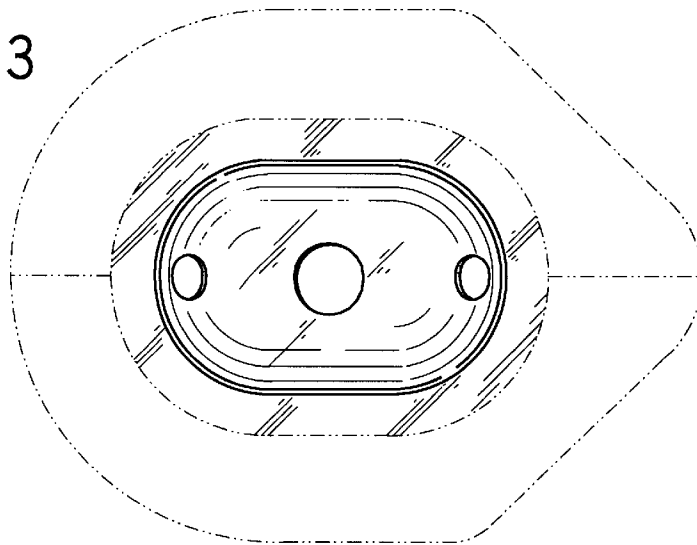


FIG. 4

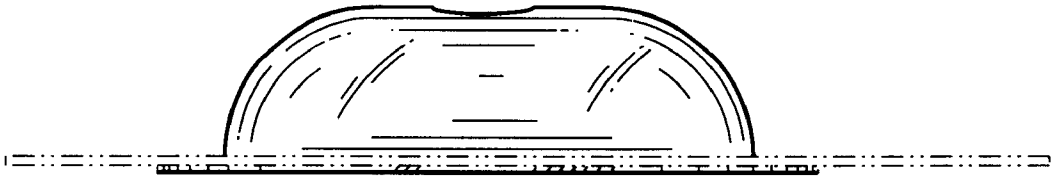


FIG. 5

