



US00D499260S

(12) **United States Design Patent** (10) **Patent No.:** **US D499,260 S**
Glass et al. (45) **Date of Patent:** **** Dec. 7, 2004**

(54) **CHAIR**

(75) Inventors: **Peter Glass**, Arroyo Grande, CA (US);
Robert J. Mills, Torrance, CA (US)

(73) Assignee: **Virco Mgmt. Corporation**, Torrance,
CA (US)

(**) Term: **14 Years**

(21) Appl. No.: **29/193,748**

(22) Filed: **Nov. 12, 2003**

(51) **LOC (7) Cl.** **06-01**

(52) **U.S. Cl.** **D6/375**

(58) **Field of Search** D6/334, 374, 375,
D6/380, 500, 501, 502; 297/445.1, 448.1

(56) **References Cited**

U.S. PATENT DOCUMENTS

D189,347 S * 11/1960 Chapman D6/375
3,669,496 A * 6/1972 Chisholm 297/448.1
4,002,369 A 1/1977 Jennings

D409,407 S * 5/1999 Wang D6/375
D469,969 S * 2/2003 Glass et al. D6/374
D470,320 S 2/2003 Schloss
D471,730 S 3/2003 Schloss
D473,407 S * 4/2003 Ross D6/500

* cited by examiner

Primary Examiner—Gary D. Watson

(74) *Attorney, Agent, or Firm*—Robert M. Hupe; Denton L.
Anderson

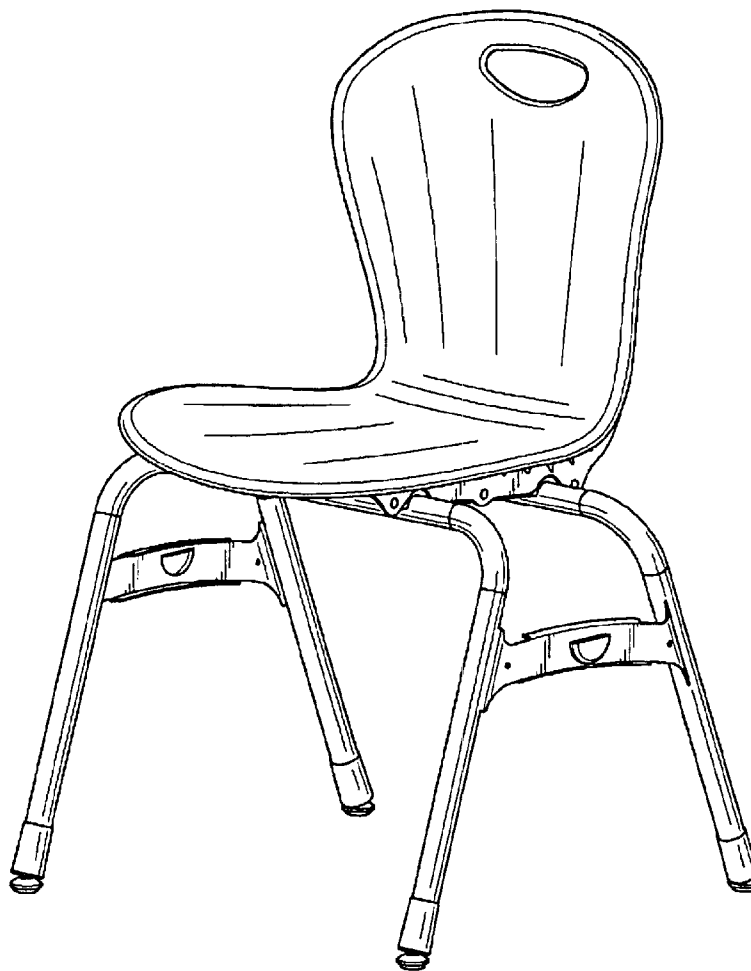
(57) **CLAIM**

The ornamental design for a chair, as shown and described.

DESCRIPTION

FIG. 1 is a perspective view of the chair of the invention;
FIG. 2 is a front view of the chair illustrated in FIG. 1;
FIG. 3 is a side view of the chair illustrated in FIG. 1;
FIG. 4 is a top view of the chair illustrated in FIG. 1;
FIG. 5 is a bottom view of the chair illustrated in FIG. 1;
and,
FIG. 6 is a rear view of the chair illustrated in FIG. 1.

1 Claim, 4 Drawing Sheets



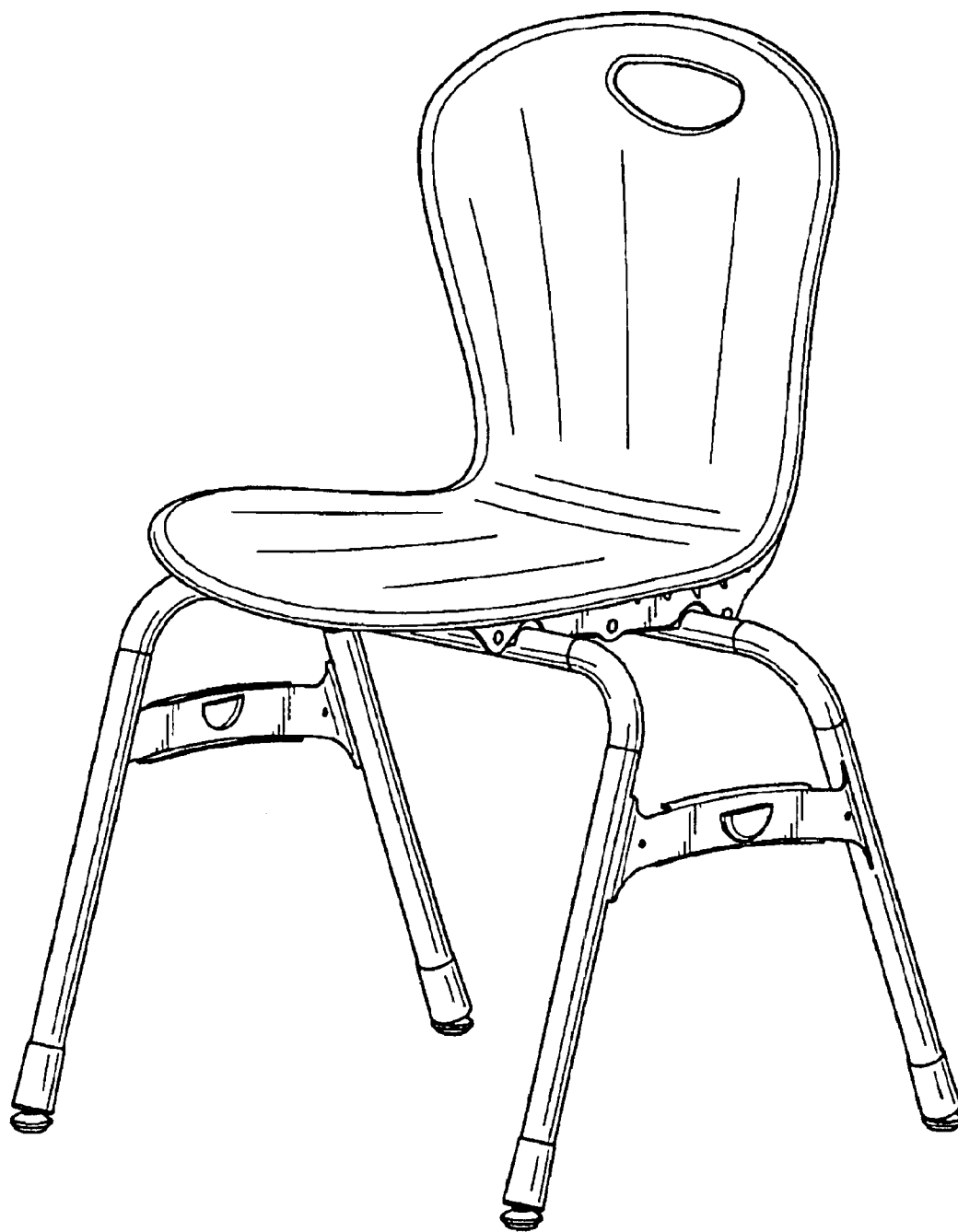


FIG. 1

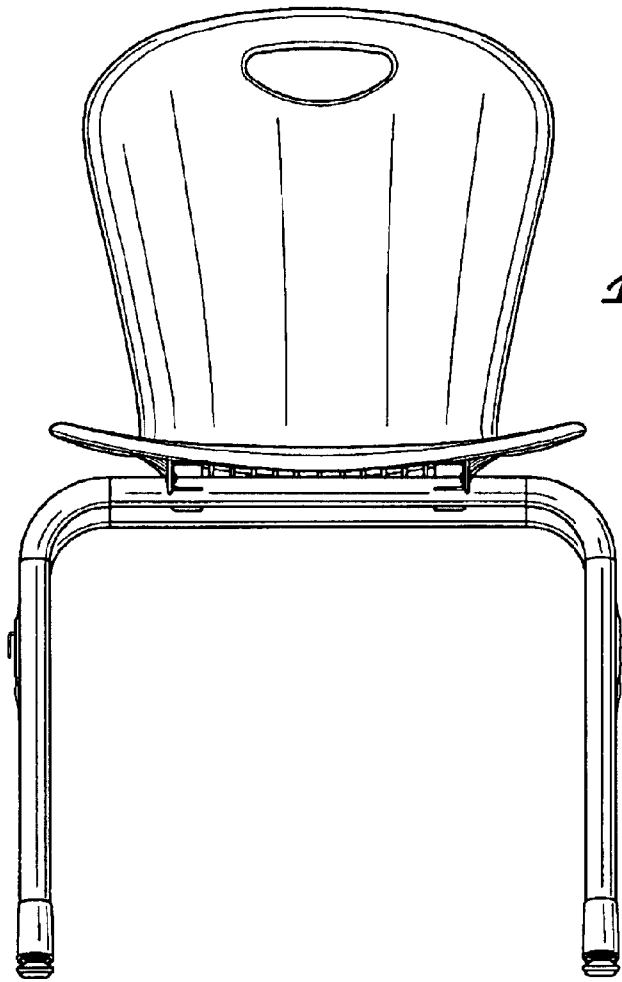


FIG. 2

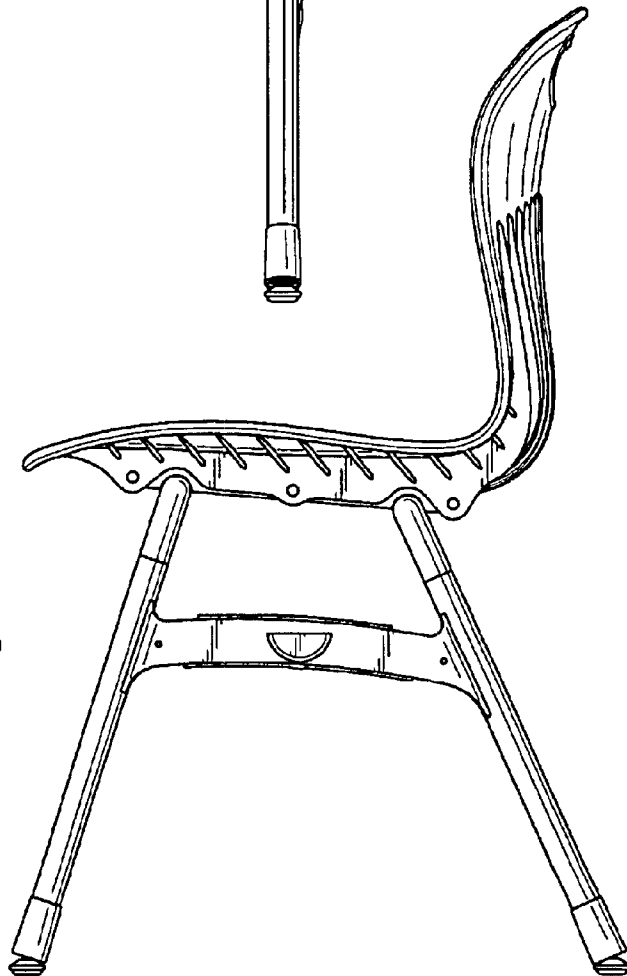


FIG. 3

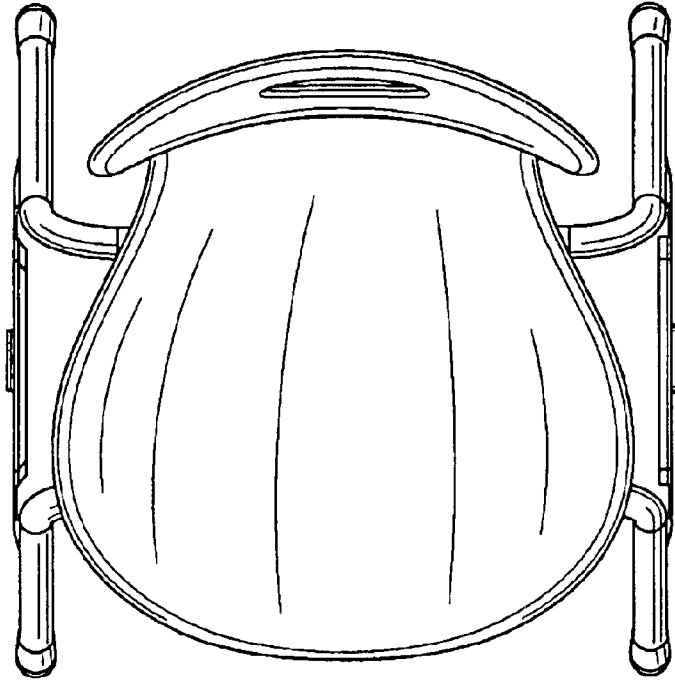


FIG. 4

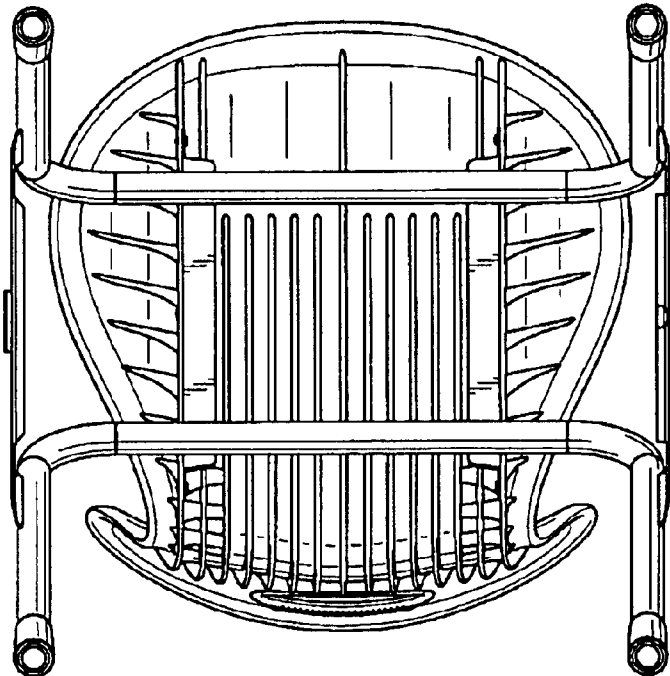


FIG. 5

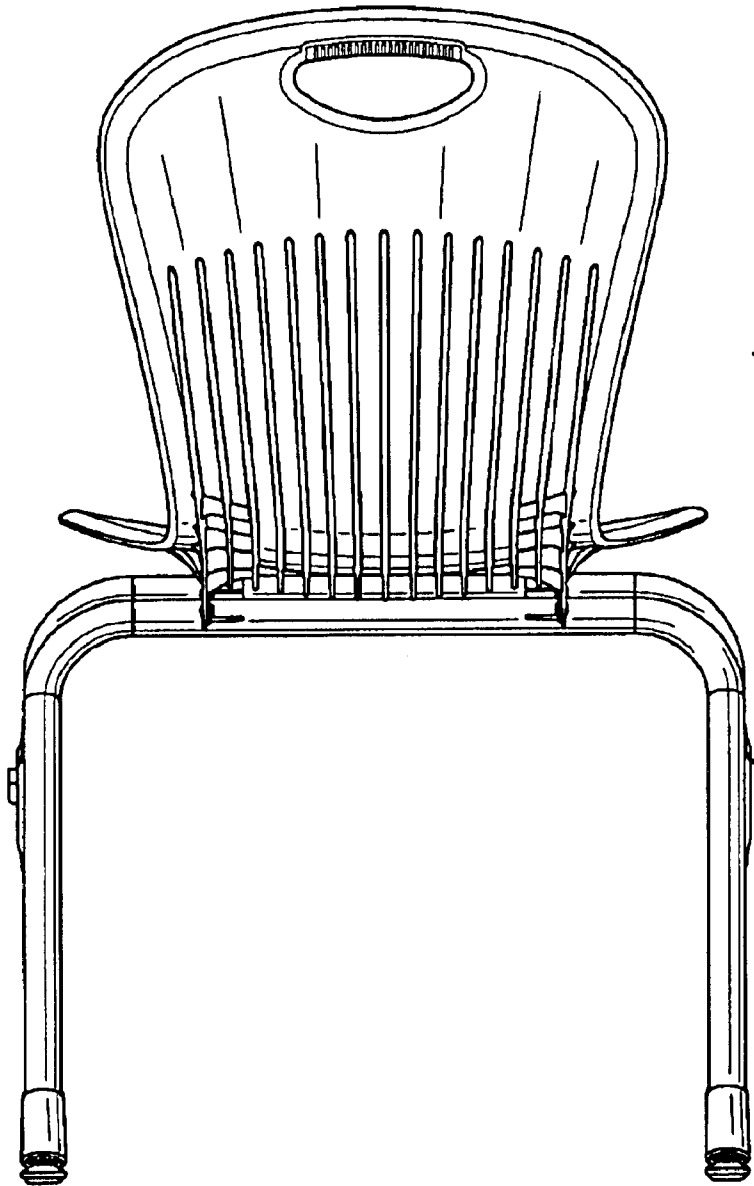


FIG. 6