



US00D399119S

United States Patent [19]

[11] **Patent Number:** **Des. 399,119**

Miller et al.

[45] **Date of Patent:** ****Oct. 6, 1998**

[54] **LATCH ARRANGEMENT**

5,545,241 8/1996 Vanderauwera et al. .
5,547,480 8/1996 Coulonvaux .

[75] Inventors: **Thomas G. Miller**, West St. Paul;
Edward James Kreitingner, Apple Valley, both of Minn.

OTHER PUBLICATIONS

Declaration of Thomas G. Miller with Exhibits A and B.

[73] Assignee: **Donaldson Company, Inc.**,
Minneapolis, Minn.

Primary Examiner—Brian N. Vinson
Attorney, Agent, or Firm—Merchant, Gould, Smith, Edell,
Welter & Schmidt, P.A.

[**] Term: **14 Years**

[57] CLAIM

[21] Appl. No.: **61,982**

The ornamental design for a latch arrangement, as shown and described.

[22] Filed: **Nov. 15, 1996**

DESCRIPTION

[51] **LOC (6) Cl.** **08-07**

[52] **U.S. Cl.** **D8/336**

[58] **Field of Search** D8/330-331, 336,
D8/338, 342; 292/113, 194, 196, DIG. 11

FIG. 1 is a perspective view of a latch arrangement;
FIG. 2 is a left side view of FIG. 1;
FIG. 3 is a right side view of FIG. 1;
FIG. 4 is a top plan view of FIG. 1;
FIG. 5 is a bottom plan view of FIG. 1; and,
FIG. 6 is a front side view of FIG. 1, the back side view being a mirror image thereof.

[56] References Cited

U.S. PATENT DOCUMENTS

4,049,301 9/1977 Schenk 292/113
5,167,683 12/1992 Behrendt et al. .

1 Claim, 2 Drawing Sheets

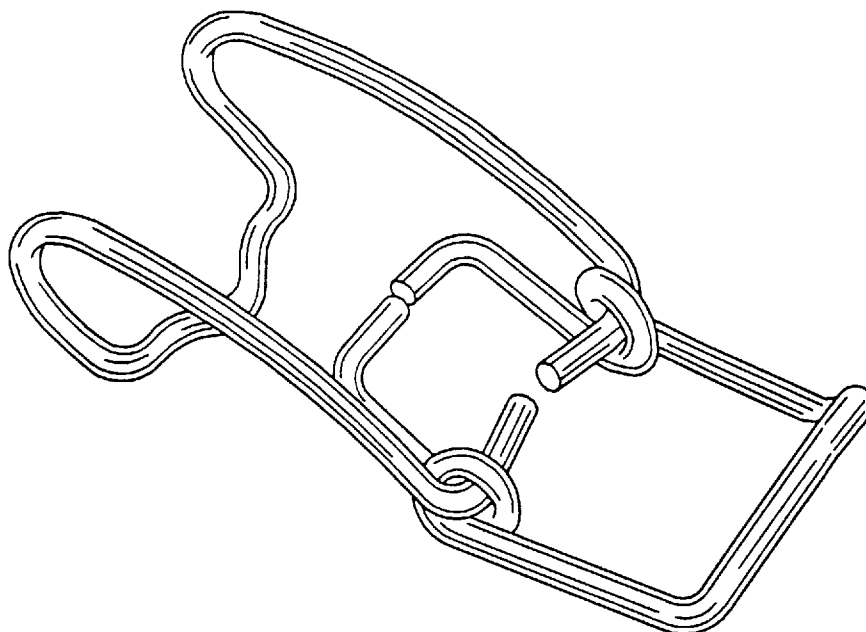


FIG. 1

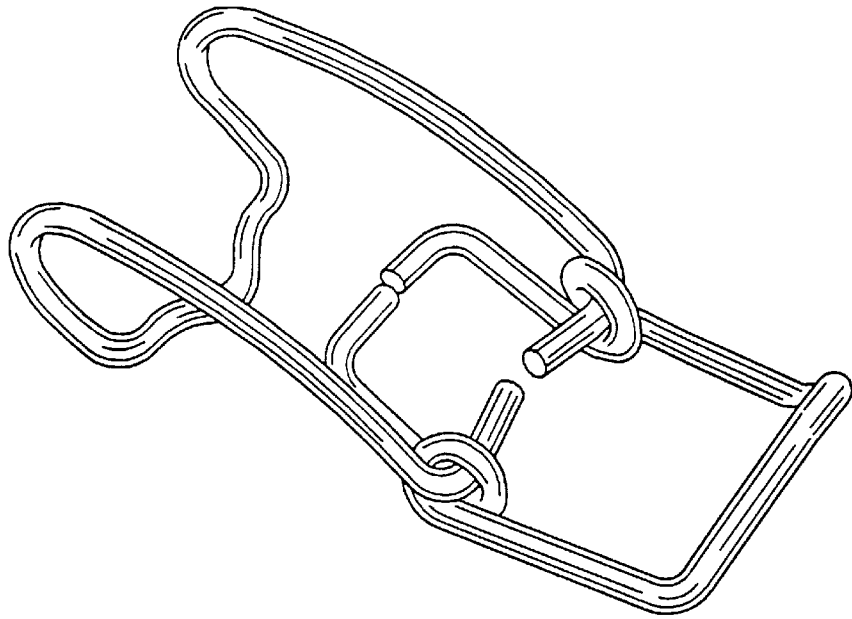


FIG. 2

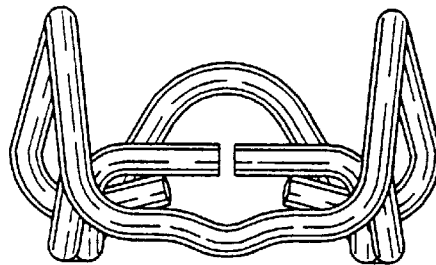


FIG. 3

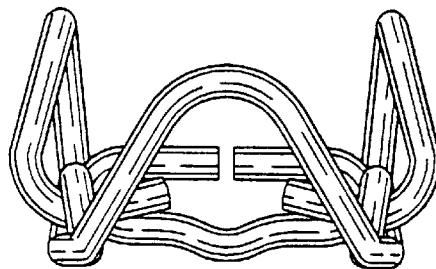


FIG. 4

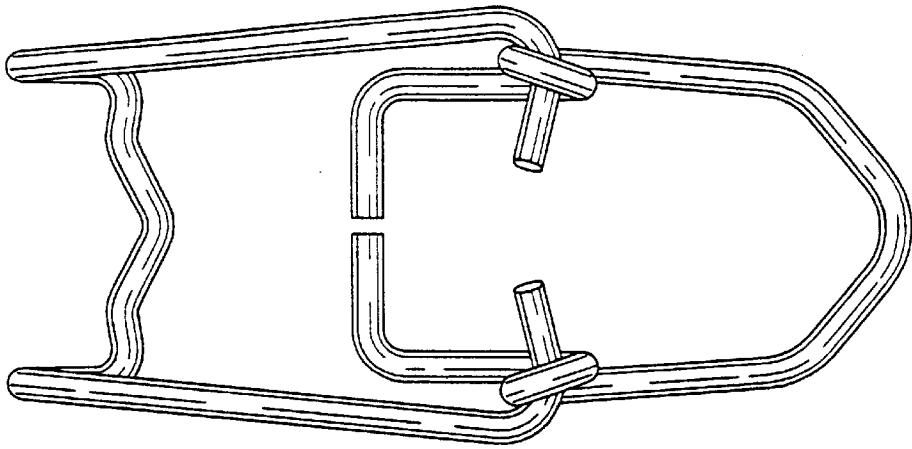


FIG. 5

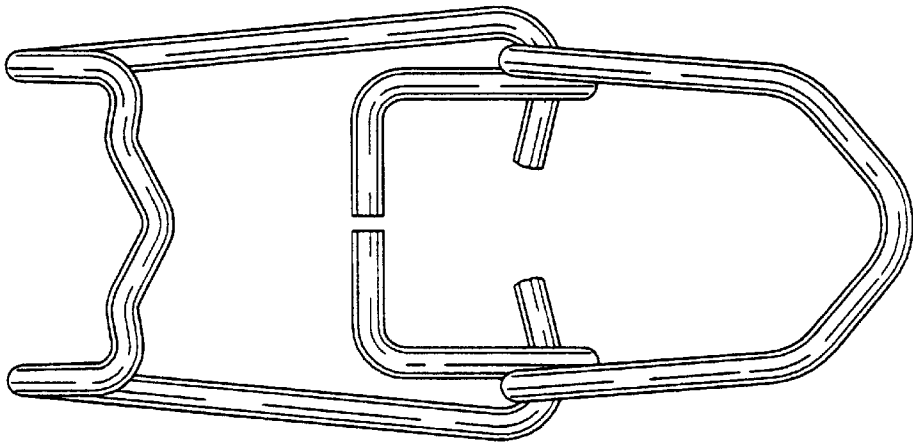


FIG. 6

