



US00D774934S

(12) **United States Design Patent** (10) **Patent No.:** **US D774,934 S**  
**Akana et al.** (45) **Date of Patent:** **\*\* Dec. 27, 2016**

(54) **SECURITY ATTACHMENT**

(71) Applicant: **Apple Inc.**, Cupertino, CA (US)

(72) Inventors: **Jody Akana**, San Francisco, CA (US); **Molly Anderson**, San Francisco, CA (US); **Bartley K. Andre**, Palo Alto, CA (US); **Shota Aoyagi**, San Francisco, CA (US); **Anthony Michael Ashcroft**, San Francisco, CA (US); **Jeremy Bataillou**, San Francisco, CA (US); **Daniel J. Coster**, San Francisco, CA (US); **Daniele De Iuliis**, San Francisco, CA (US); **Michael Gorman**, Dublin, CA (US); **M. Evans Hankey**, San Francisco, CA (US); **Russell John Kaaihue Heirakuji**, Cupertino, CA (US); **Julian Hoenig**, San Francisco, CA (US); **Richard P. Howarth**, San Francisco, CA (US); **Jonathan P. Ive**, San Francisco, CA (US); **Duncan Robert Kerr**, San Francisco, CA (US); **Peter Russell-Clarke**, San Francisco, CA (US); **Charles A. Schwalbach**, Menlo Park, CA (US); **Benjamin Andrew Shaffer**, San Jose, CA (US); **Mikael Silvanto**, San Francisco, CA (US); **Christopher J. Stringer**, Woodside, CA (US); **Clement Tissandier**, San Francisco, CA (US); **Eugene Antony Whang**, San Francisco, CA (US); **Sheng Yang**, Mountain View, CA (US); **Rico Zörkendörfer**, San Francisco, CA (US)

(73) Assignee: **Apple Inc.**, Cupertino, CA (US)

(\*\*) Term: **15 Years**

(21) Appl. No.: **29/543,306**

(22) Filed: **Oct. 22, 2015**

**Related U.S. Application Data**

(63) Continuation of application No. 29/543,183, filed on Oct. 21, 2015.

(51) **LOC (10) Cl.** ..... **10-05**

(52) **U.S. Cl.**  
USPC ..... **D10/104.1**

(58) **Field of Classification Search**  
USPC ..... D10/104.1, 106.1, 106.9; D8/332, 333, D8/342, 343; 340/572.1, 572.2, 572.8, 340/572.9; 70/14, 57.1, 58; 24/704.1  
(Continued)

(56) **References Cited**

U.S. PATENT DOCUMENTS

D356,044 S \* 3/1995 Clements ..... D10/104.1  
5,493,878 A \* 2/1996 Murray, Jr. .... E05B 73/0005  
248/553

(Continued)

*Primary Examiner* — George D Kirschbaum

*Assistant Examiner* — Joseph Kukella

(74) *Attorney, Agent, or Firm* — Sterne, Kessler, Goldstein & Fox P.L.L.C.

(57) **CLAIM**

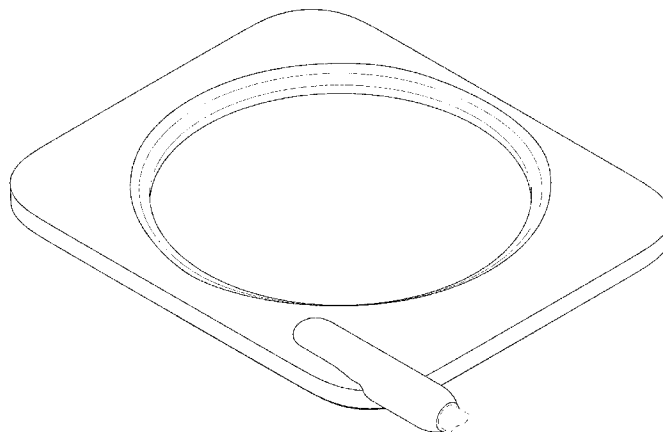
The ornamental design for a security attachment, as shown and described.

**DESCRIPTION**

FIG. 1 is a top front perspective view of a security attachment showing our new design; FIG. 2 is a bottom front perspective view thereof; FIG. 3 is a front view thereof; FIG. 4 is a rear view thereof; FIG. 5 is a left side view thereof; FIG. 6 is a right side view thereof; FIG. 7 is a top view thereof; and, FIG. 8 is a bottom view thereof.

The broken lines in the figures show portions of the security attachment that form no part of the claimed design.

**1 Claim, 6 Drawing Sheets**



(58) **Field of Classification Search**

CPC .... E05B 73/00; E05B 45/005; G08B 13/1445;  
 A44B 19/301; A45C 13/18; G06K  
 19/005; G06K 19/07749; G09F 3/20  
 See application file for complete search history.

D599,241 S \* 9/2009 Andre ..... D10/104.1  
 D647,107 S \* 10/2011 Akana ..... D14/203.3  
 D657,381 S \* 4/2012 Akana ..... D14/203.3  
 D692,921 S \* 11/2013 Akana ..... D14/203.3  
 D710,231 S \* 8/2014 Barksdale ..... D10/106.9  
 D728,624 S 5/2015 Akana et al.  
 D752,044 S \* 3/2016 Akana ..... D14/344  
 2009/0128339 A1 \* 5/2009 Mitchell ..... B66F 17/00  
 340/572.8  
 2009/0276984 A1 \* 11/2009 Rabe ..... A44B 19/301  
 24/388  
 2010/0180648 A1 \* 7/2010 Knox ..... E05B 73/0082  
 70/58  
 2011/0061427 A1 \* 3/2011 Mahaffey ..... E05B 73/0005  
 70/58  
 2011/0283750 A1 \* 11/2011 Will ..... E05B 45/005  
 70/18  
 2012/0279780 A1 \* 11/2012 Villarreal ..... G08B 13/1445  
 174/71 R

(56) **References Cited**

U.S. PATENT DOCUMENTS

5,787,739 A \* 8/1998 Derman ..... E05B 67/383  
 70/14  
 5,814,968 A \* 9/1998 Lovegreen ..... H01M 2/1022  
 320/113  
 6,038,891 A \* 3/2000 Zeren ..... E05B 73/0005  
 70/14  
 D511,984 S \* 11/2005 Kumagai ..... D10/104.1  
 D539,635 S \* 4/2007 Weinerman ..... D8/343  
 D559,138 S \* 1/2008 Cothron ..... D10/104.1

\* cited by examiner

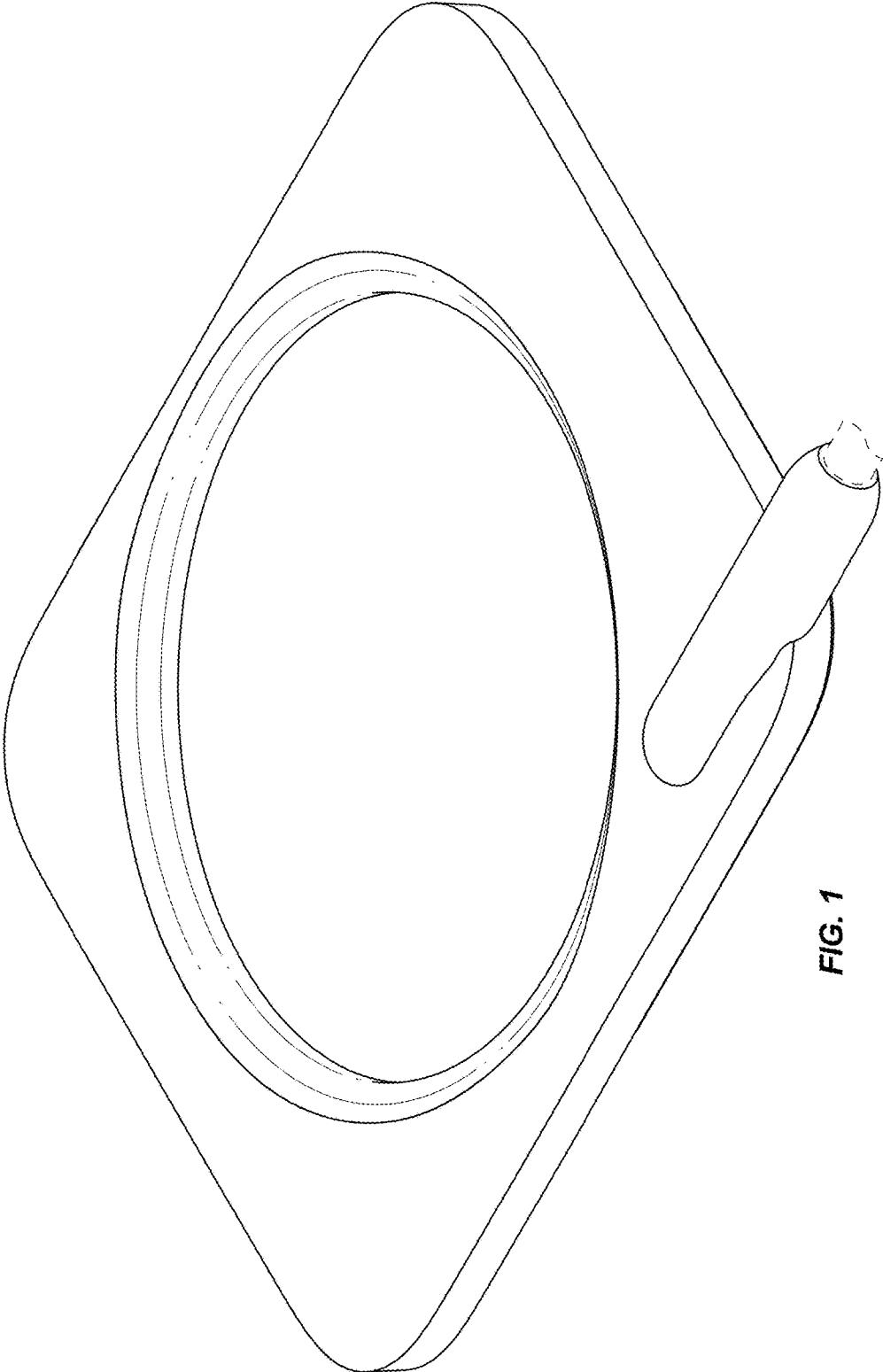


FIG. 1

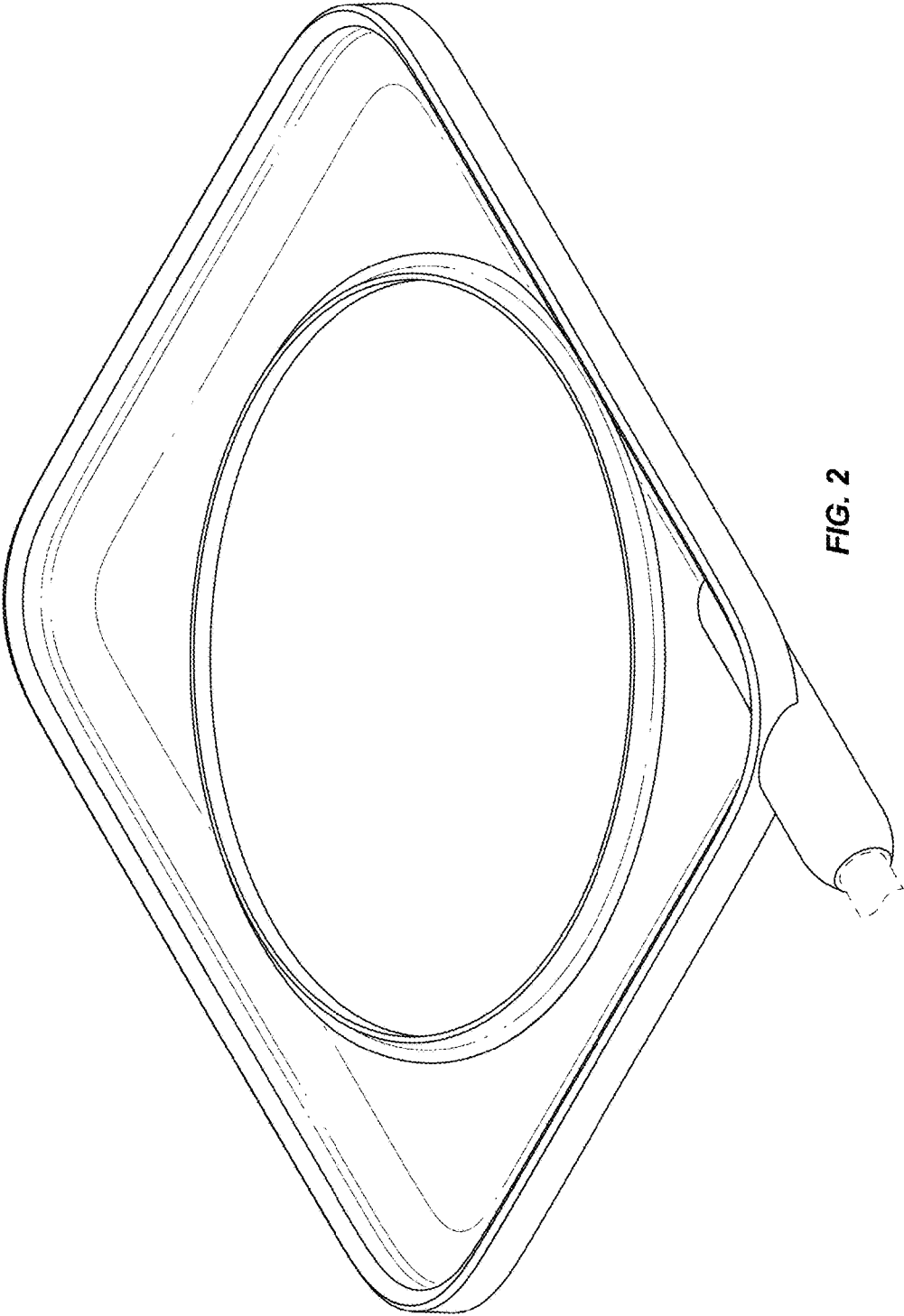


FIG. 2

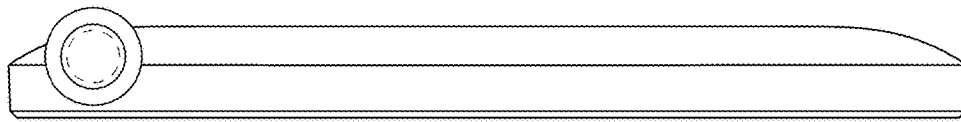


FIG. 3

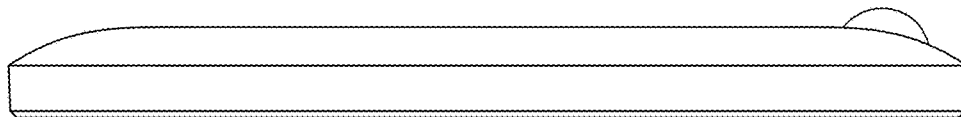


FIG. 4

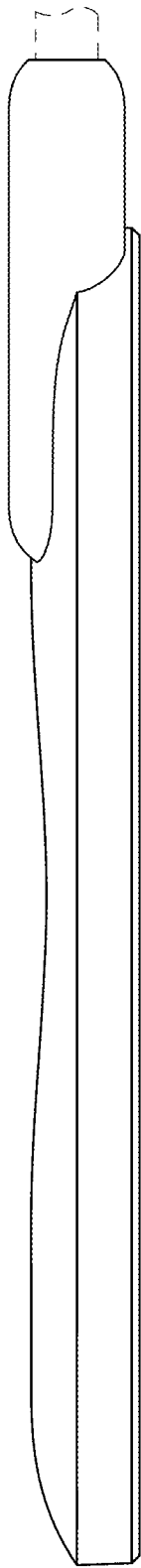


FIG. 5

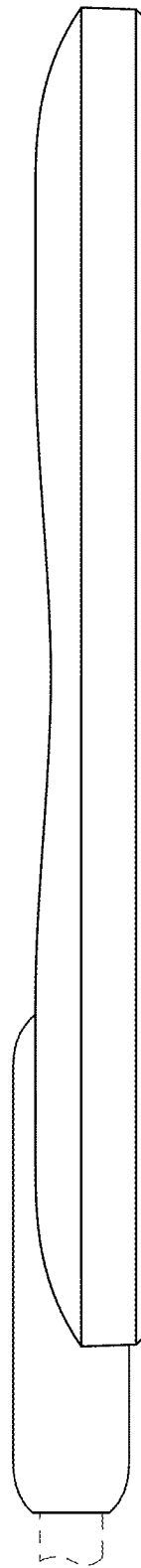


FIG. 6

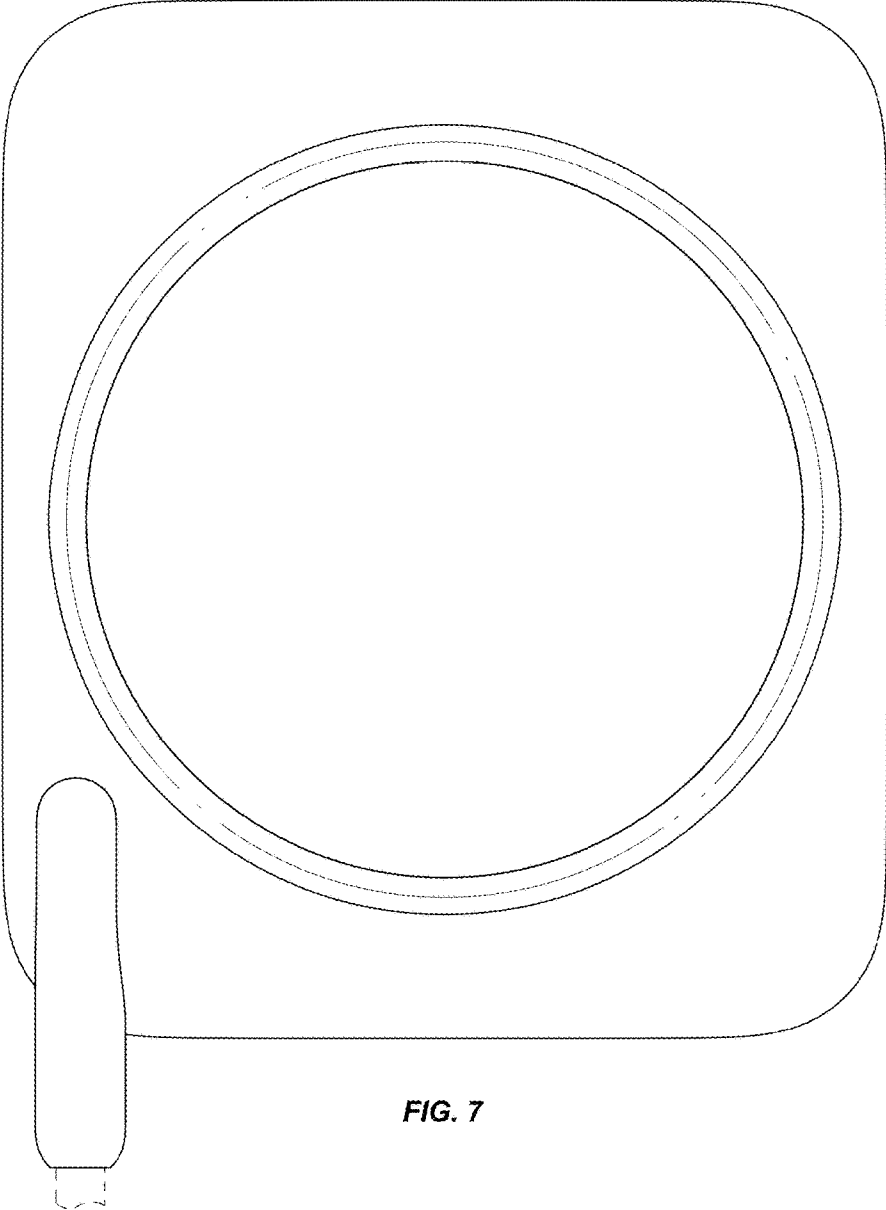


FIG. 7

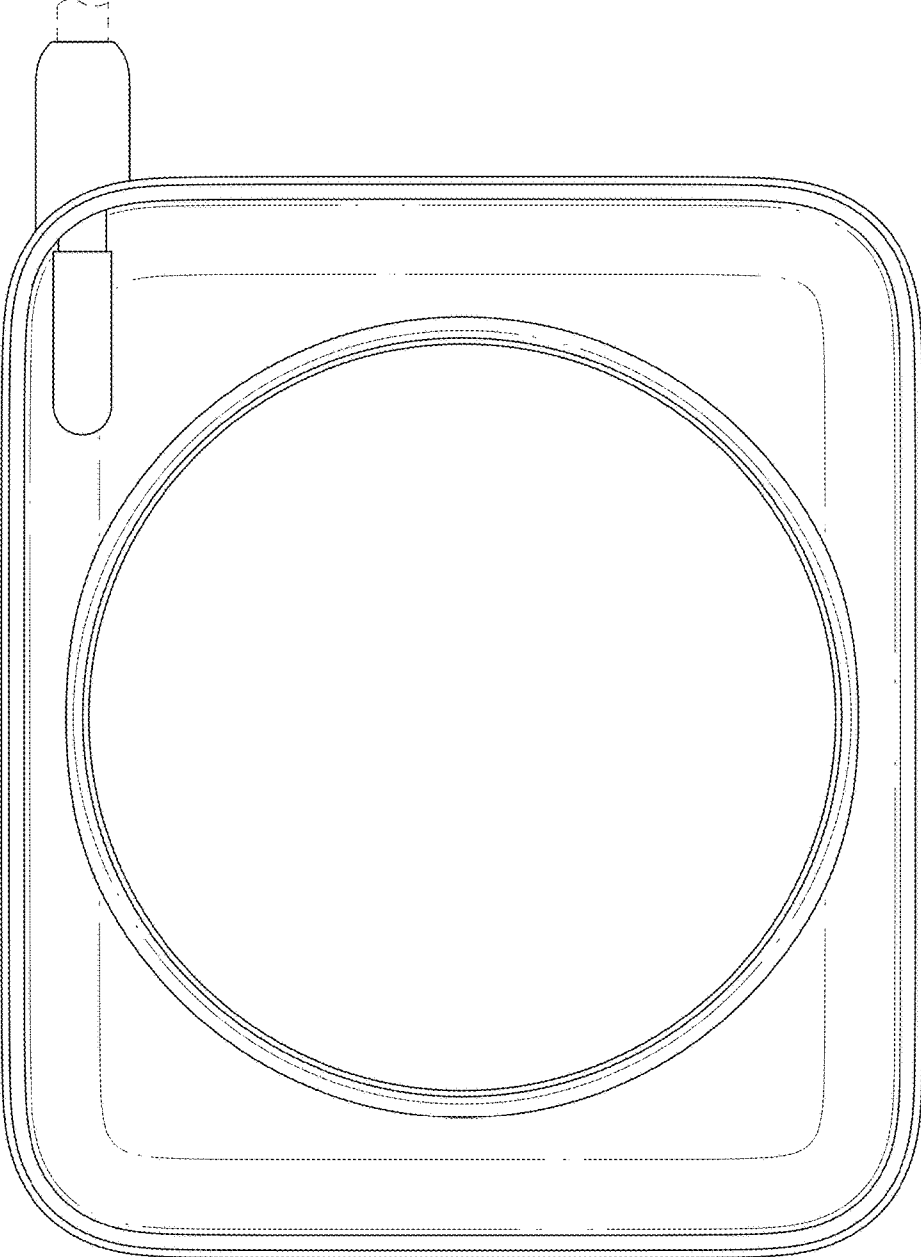


FIG. 8