



US00D740741S

(12) **United States Design Patent**  
**Wheeler**

(10) **Patent No.:** **US D740,741 S**

(45) **Date of Patent:** **\*\* Oct. 13, 2015**

- (54) **STORAGE TUBE**
- (71) Applicant: **Chad C. Wheeler**, Arvada, CO (US)
- (72) Inventor: **Chad C. Wheeler**, Arvada, CO (US)
- (\*\*) Term: **14 Years**
- (21) Appl. No.: **29/473,857**
- (22) Filed: **Nov. 26, 2013**
- (51) **LOC (10) Cl.** ..... **12-16**
- (52) **U.S. Cl.**  
USPC ..... **D12/400**
- (58) **Field of Classification Search**  
USPC ..... D12/400, 406, 412, 414, 423  
See application file for complete search history.

5,887,711	A *	3/1999	McAuliffe	.....	206/292
6,089,429	A	7/2000	Everson		
6,386,409	B1	5/2002	Cheney		
6,849,038	B2	2/2005	Straface		
D566,399	S *	4/2008	Ahlborn	.....	D3/321
2003/0189353	A1	10/2003	Moore		
2006/0124505	A1	6/2006	Hanson		
2010/0200434	A1	8/2010	Carter		
2010/0270200	A1 *	10/2010	Kay	.....	206/521
2012/0007392	A1	1/2012	Daniels, Jr.		
2012/0228164	A1	9/2012	Aagaard et al.		
2013/0068644	A1	3/2013	Berman		

\* cited by examiner

*Primary Examiner* — Katrina A Betton

(74) *Attorney, Agent, or Firm* — Patent Law Office of Rick Martin P.C.

(57) **CLAIM**

The ornamental design for a storage tube, as shown and described.

**DESCRIPTION**

FIG. 1 is a front perspective view of my new design for a storage tube.

FIG. 2 is a bottom plan view of my new invention.

FIG. 3 is a top plan view of my new invention.

FIG. 4 is a front elevation view of my new invention.

FIG. 5 is a rear elevation view of my new invention.

FIG. 6 is a left side elevation view of my new invention, with a right side elevation view being a mirror image thereof; and, FIG. 7 is a front perspective view of my new invention in an open mode.

The broken lines indicating logo and mounting bar are for the purposes of illustration and form no part of the claimed design.

**1 Claim, 4 Drawing Sheets**

(56) **References Cited**

U.S. PATENT DOCUMENTS

2,783,875	A *	3/1957	Shabarick	.....	312/35
3,128,854	A *	4/1964	Shabarick	.....	206/289
3,378,134	A	4/1968	Wilkinson et al.		
4,138,152	A	2/1979	Prue		
4,444,324	A	4/1984	Grenell		
4,570,986	A	2/1986	Sams		
4,657,135	A *	4/1987	Kjose	.....	206/315.3
4,921,152	A	5/1990	Kemming		
5,427,453	A *	6/1995	Cloessner	.....	383/38
5,437,369	A *	8/1995	Spitere	.....	206/373
5,441,163	A *	8/1995	Carrasco	.....	220/23.86
5,472,110	A	12/1995	Boyd et al.		
5,480,023	A *	1/1996	Puller	.....	206/8
5,538,137	A *	7/1996	Deioma et al.	.....	206/579
D374,174	S *	10/1996	McClellan	.....	D9/711
5,657,916	A	8/1997	Tackett		
5,676,340	A	10/1997	Ruhnau		
5,797,491	A *	8/1998	Fierek et al.	.....	206/373
5,848,690	A	12/1998	Granger et al.		

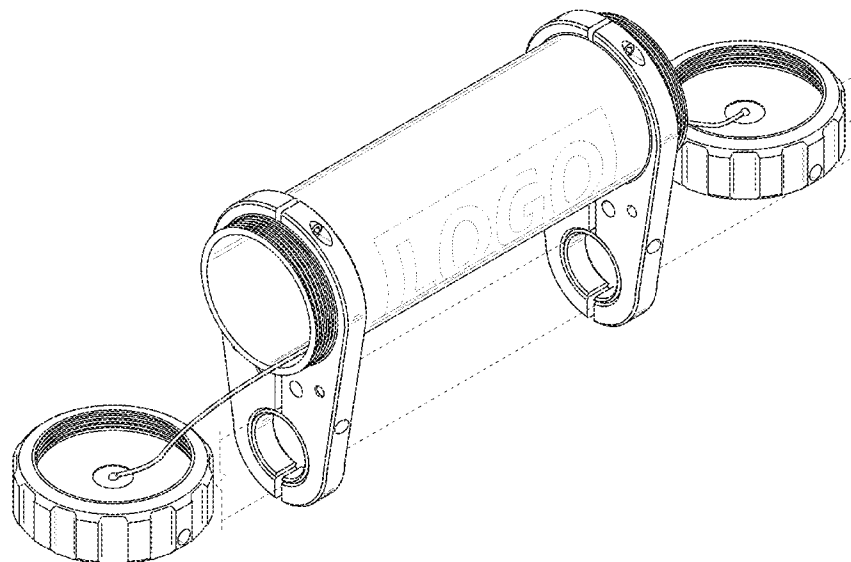


Fig. 1

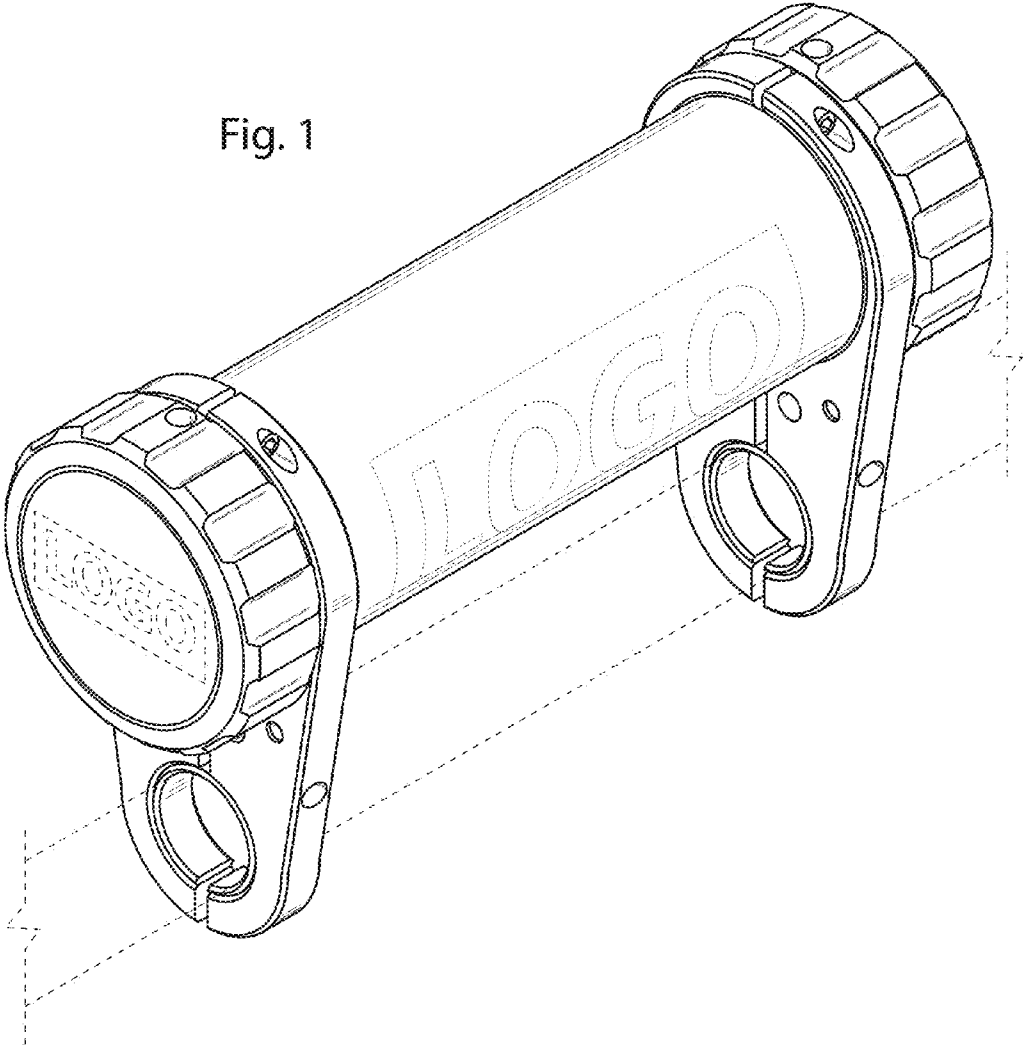


Fig. 2

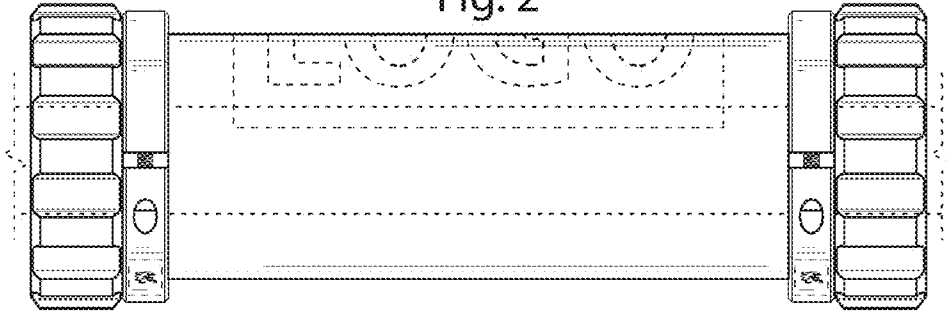


Fig. 3

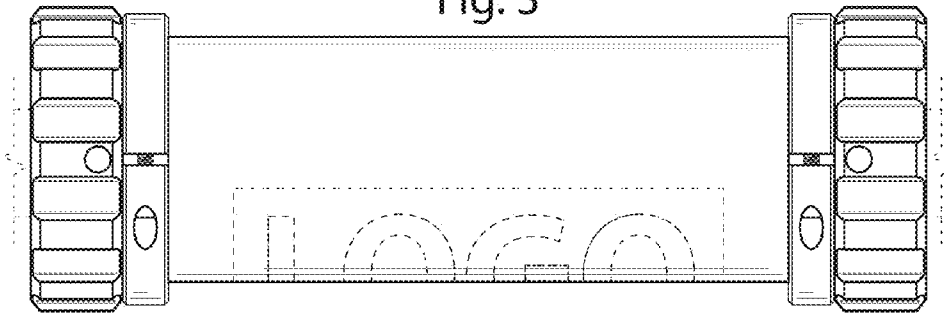


Fig. 4

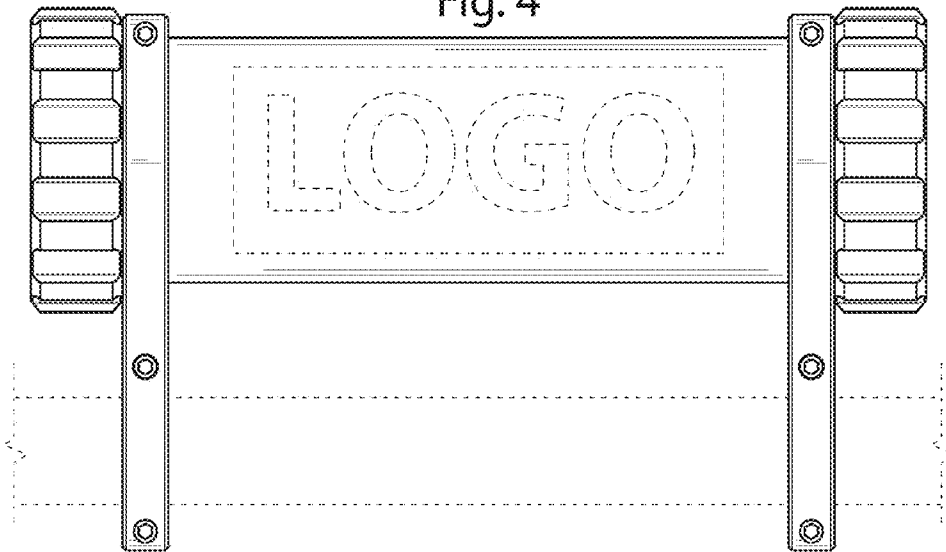


Fig. 5

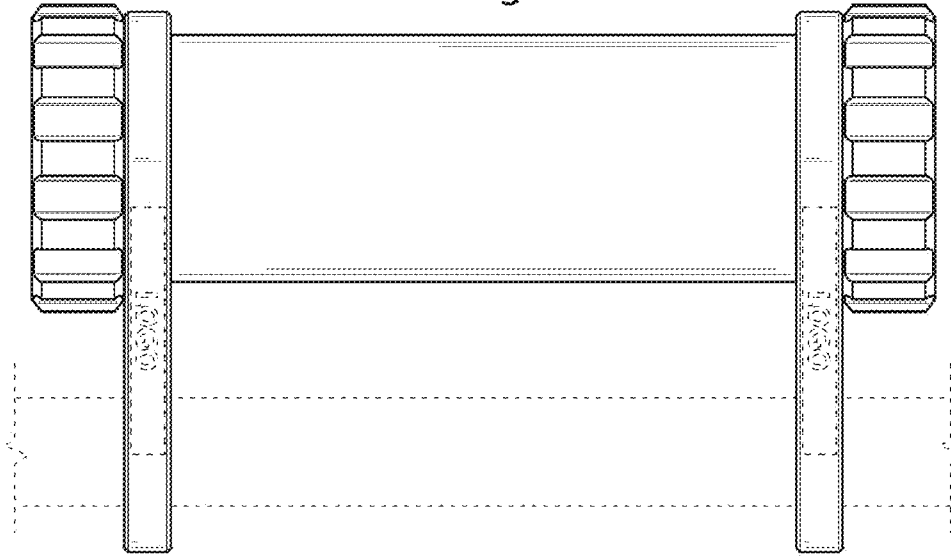
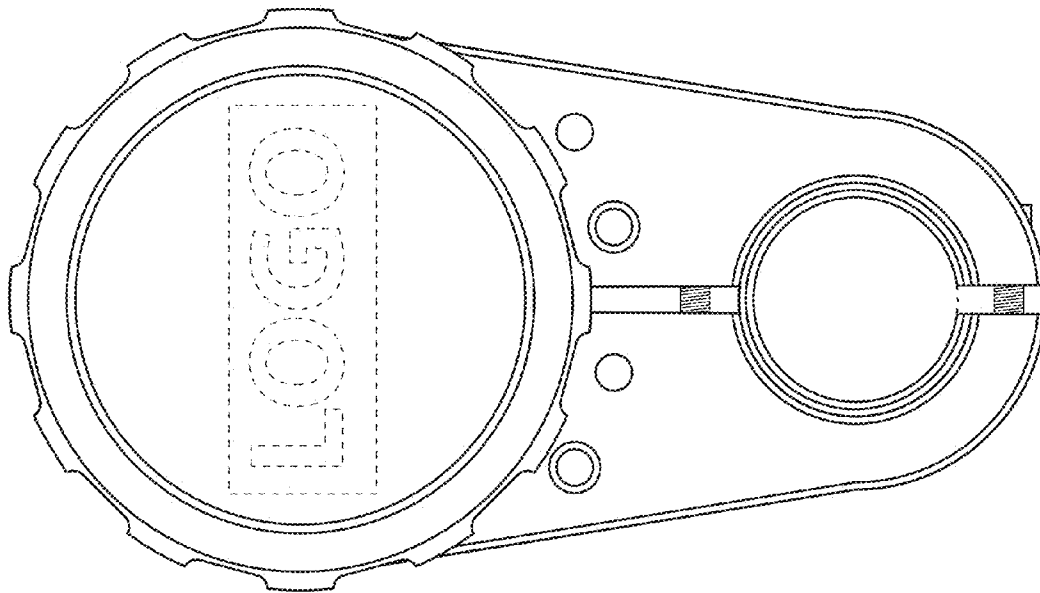


Fig. 6



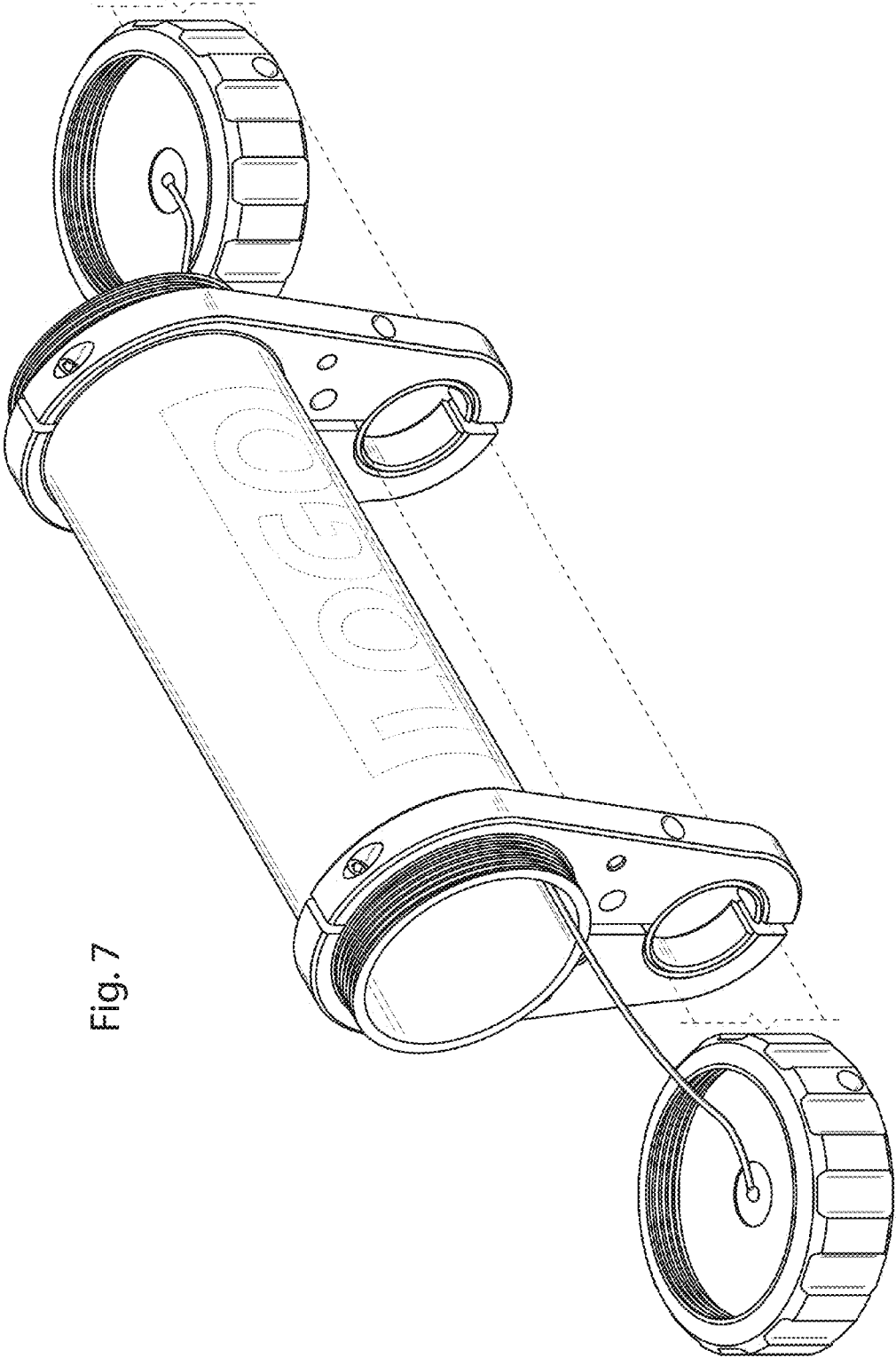


Fig. 7