



US00D360538S

United States Patent [19]

[11] Patent Number: **Des. 360,538**

Skalka

[45] Date of Patent: **** Jul. 25, 1995**

[54] **BENCH**

[75] Inventor: **Gerald P. Skalka**, Potomac, Md.

[73] Assignee: **Victor Stanley, Inc.**, Dunkirk, Md.

[**] Term: **14 Years**

[21] Appl. No.: **19,383**

[22] Filed: **Mar. 1, 1994**

[52] U.S. Cl. **D6/370; D6/373; D6/381**

[58] Field of Search **D6/334, 335, 370, 371, D6/373, 374, 375, 376, 379, 380, 381, 500, 501, 502; 297/232**

[56] **References Cited**

U.S. PATENT DOCUMENTS

D. 229,591	12/1973	Trail et al.	D6/370
D. 263,353	3/1982	Beals	D6/370
D. 279,242	6/1985	Jernigan	D6/370
D. 327,586	7/1992	Skalka	D6/370
D. 341,267	11/1993	Caldwell	D6/381
D. 345,869	4/1994	Grosfillex	D6/381

Primary Examiner—Alan P. Douglas

Assistant Examiner—Gary D. Watson

Attorney, Agent, or Firm—Popham, Haik, Schnobrich & Kaufman, Ltd.

[57] **CLAIM**

The ornamental design for a bench, as shown and described.

DESCRIPTION

FIG. 1 is a perspective view of a bench showing a first embodiment of my new design;

FIG. 2 is a right side elevational view of the bench of FIG. 1, the left side elevational view being a mirror image thereof;

FIG. 3 is a front elevational view of the bench of FIG. 1;

FIG. 4 is a rear elevational view of the bench of FIG. 1;

FIG. 5 is a bottom plan view of the bench of FIG. 1;

FIG. 6 is a top plan view of the bench of FIG. 1;

FIG. 7 is a perspective view of a bench showing a second embodiment of my new design;

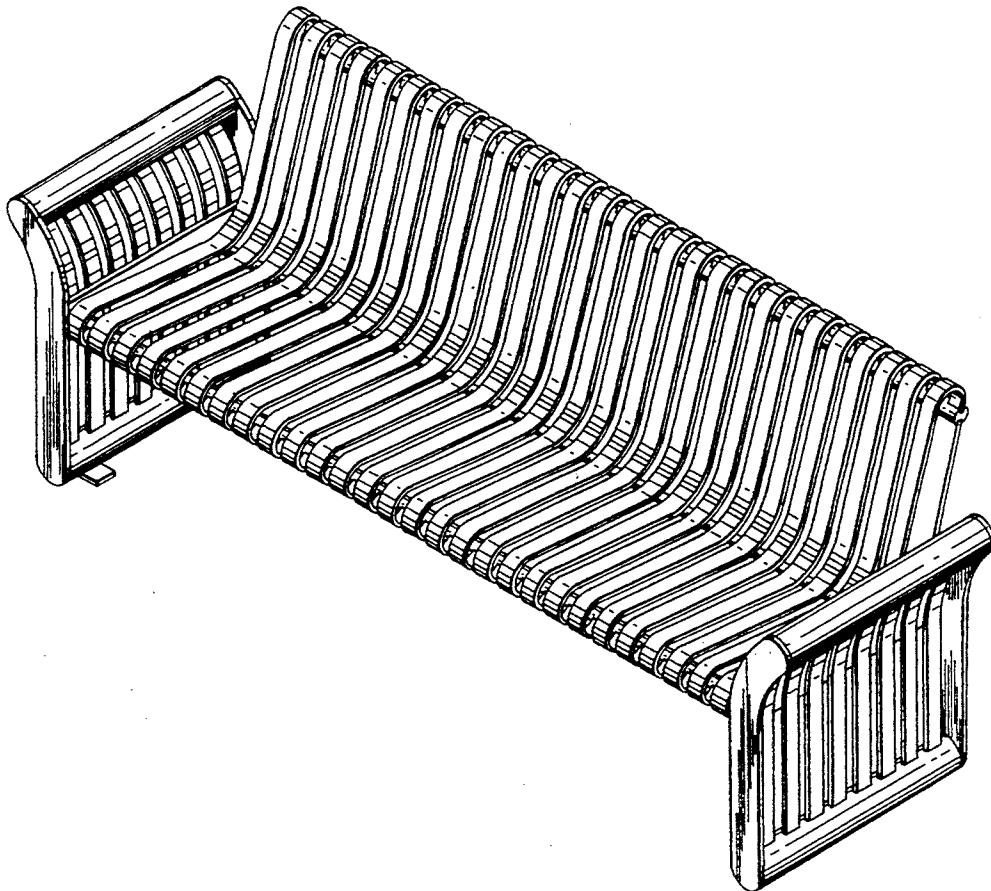
FIG. 8 is a right side elevational view of the bench of FIG. 7, the left side elevational view being a mirror image thereof;

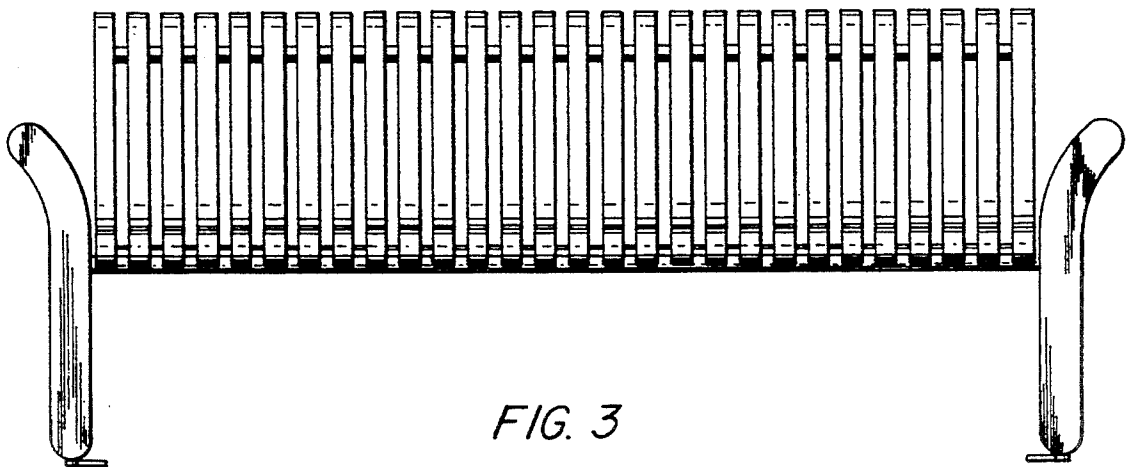
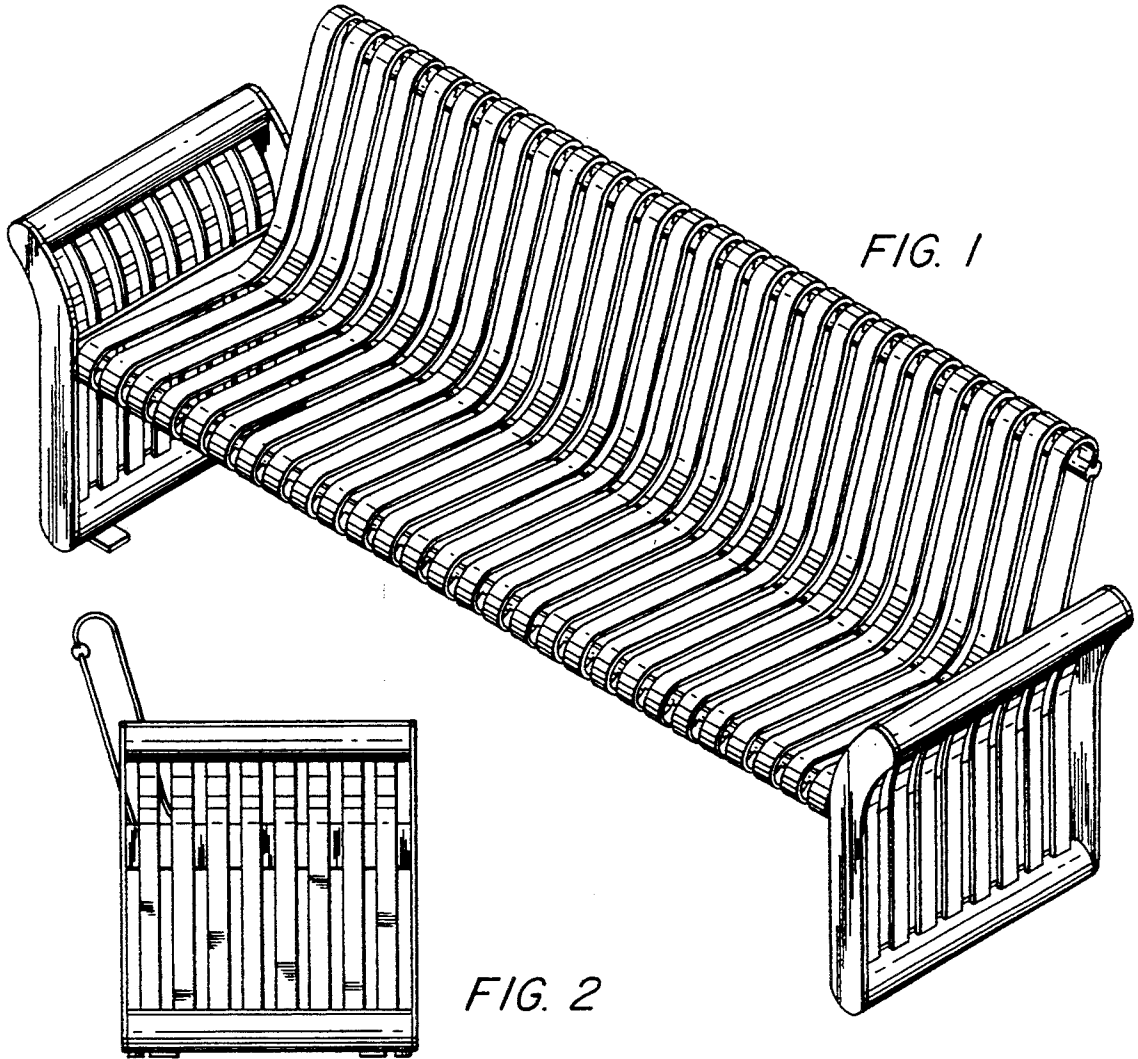
FIG. 9 is a front elevational view of the bench of FIG. 7;

FIG. 10 is a rear elevational view of the bench of FIG. 7;

FIG. 11 is a bottom plan view of the bench of FIG. 7; and,

FIG. 12 is a top plan view of the bench of FIG. 7.





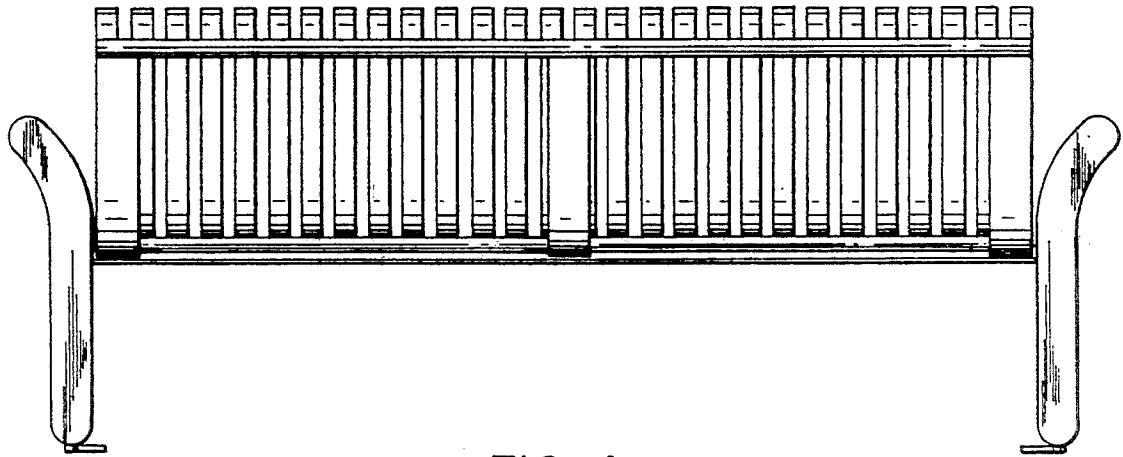


FIG. 4

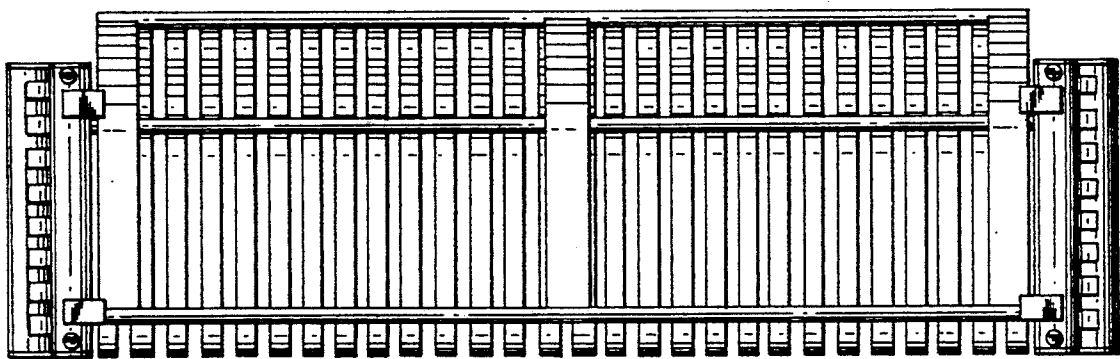
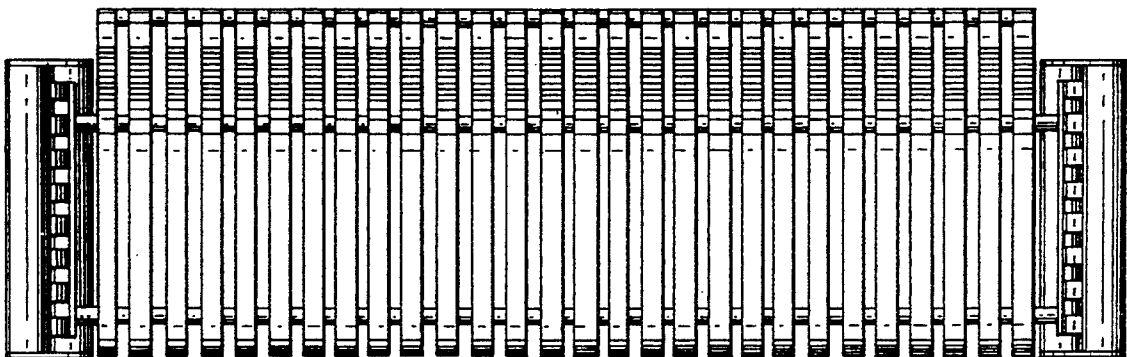


FIG. 5

FIG. 6



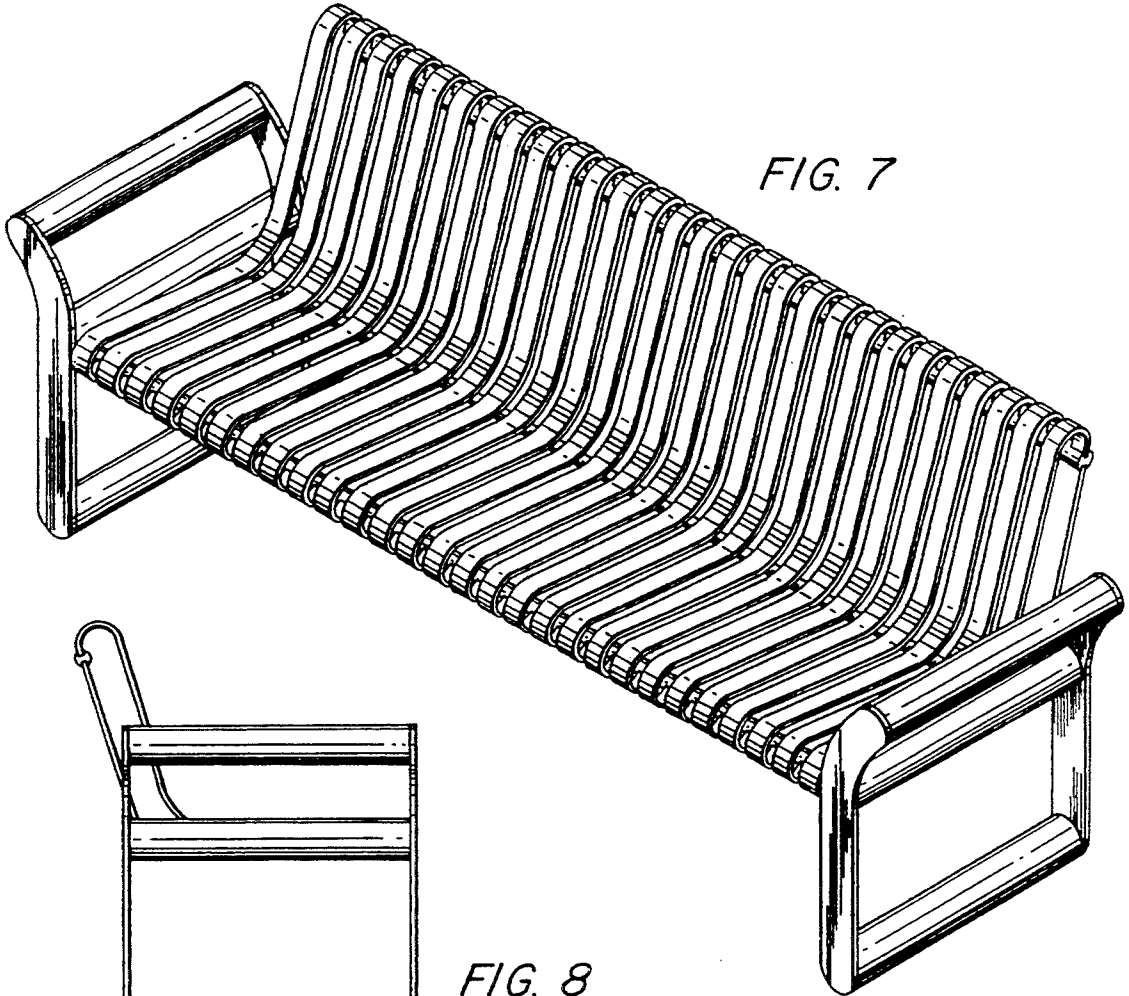


FIG. 7

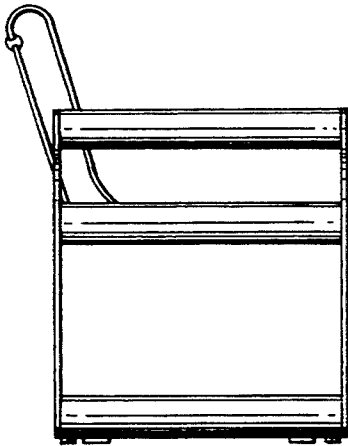


FIG. 8

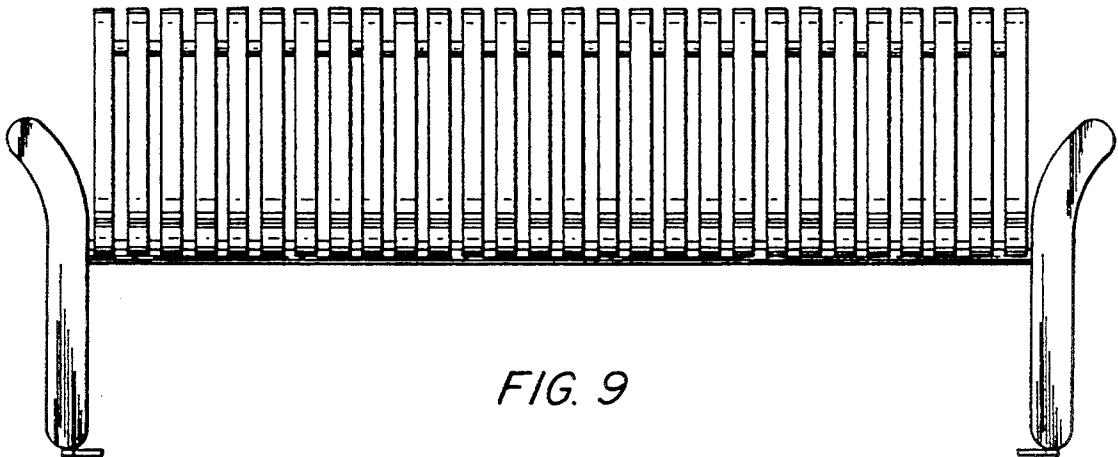


FIG. 9

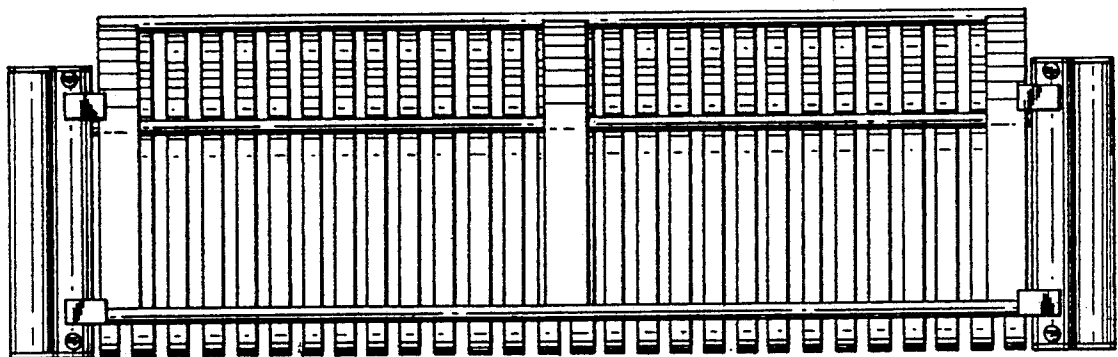
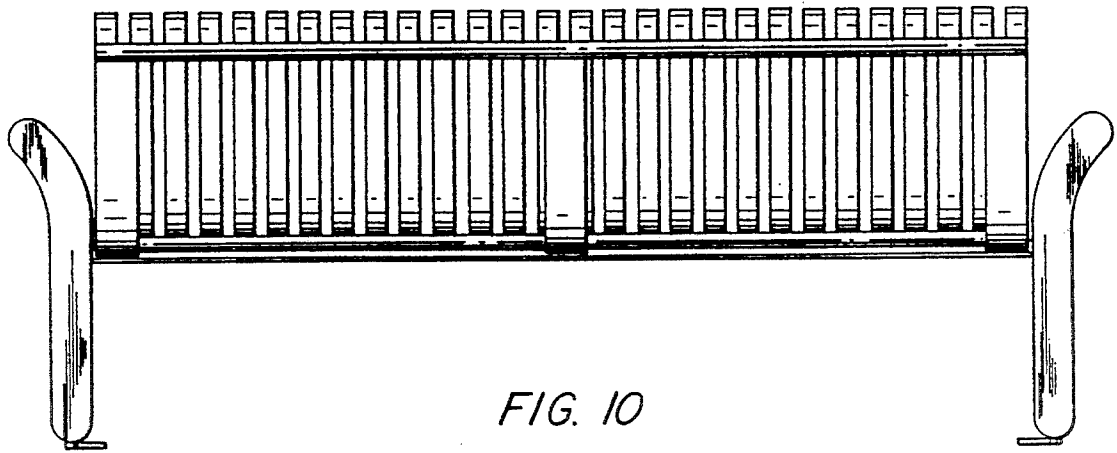


FIG. 11

FIG. 12

