



US00D859683S

(12) **United States Design Patent** (10) **Patent No.:** **US D859,683 S**  
**Harding et al.** (45) **Date of Patent:** **\*\* Sep. 10, 2019**

(54) **COLLECTION DEVICE**  
(71) Applicant: **Becton, Dickinson and Company,**  
Franklin Lakes, NJ (US)  
(72) Inventors: **Weston F. Harding,** Lehi, UT (US);  
**Austin Jason Mckinnon,** Herriman, UT  
(US); **Matthew Oshinski,** Flanders, NJ  
(US)

D559,397 S \* 1/2008 Eriksson ..... D24/224  
D560,281 S \* 1/2008 Kozak ..... D24/216  
D574,507 S \* 8/2008 Muir ..... D24/224  
D594,131 S \* 6/2009 Nguyen ..... D24/216  
D640,795 S \* 6/2011 Jackson ..... D24/216  
D743,046 S \* 11/2015 Poll ..... D24/224  
D743,571 S \* 11/2015 Jackson ..... D24/216  
2004/0018634 A1 1/2004 Hajizadeh et al.  
2005/0106753 A1 5/2005 Wu et al.  
2012/0264229 A1 10/2012 Wan

(73) Assignee: **Becton, Dickinson and Company,**  
Franklin Lakes, NJ (US)  
(\*\*) Term: **15 Years**

**FOREIGN PATENT DOCUMENTS**

WO WO 2011/095599 8/2011

\* cited by examiner

(21) Appl. No.: **29/618,544**  
(22) Filed: **Sep. 21, 2017**  
(51) **LOC (12) Cl.** ..... **24-01**  
(52) **U.S. Cl.**  
USPC ..... **D24/216; D24/224**  
(58) **Field of Classification Search**  
USPC ..... D24/216, 223–233, 186, 107, 121;  
D10/81  
CPC ..... B01L 3/50; B01L 3/5021; B01L 3/5082;  
B01L 3/50825; B01L 3/523; B04B  
5/0414; C12M 1/16; A61B 10/0096  
See application file for complete search history.

*Primary Examiner* — Anhdao Doan

(74) *Attorney, Agent, or Firm* — Knobbe Martens Olson  
& Bear LLP

(57) **CLAIM**

The ornamental design for a collection device, as shown and described.

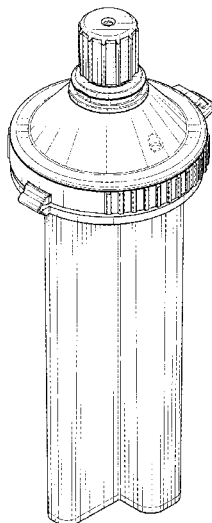
(56) **References Cited**  
**U.S. PATENT DOCUMENTS**  
D229,689 S \* 12/1973 Dragotta ..... D24/224  
4,278,437 A \* 7/1981 Hagggar ..... B01L 3/5082  
356/246  
5,422,273 A \* 6/1995 Garrison ..... A61B 10/0291  
422/547  
D383,851 S \* 9/1997 Wong ..... D24/224  
D425,625 S \* 5/2000 Niermann ..... D24/224  
D438,979 S \* 3/2001 Gomes ..... D24/216  
D520,643 S \* 5/2006 Clarke ..... D24/216  
7,114,403 B2 10/2006 Wu et al.  
D558,357 S \* 12/2007 Byrd ..... D24/224

**DESCRIPTION**

FIG. 1 is a top, left, and front perspective view of an embodiment of a collection device, showing our new design; FIG. 2 is a top, right, and front perspective view thereof; FIG. 3 is a front elevation view thereof; FIG. 4 is a back elevation view thereof; FIG. 5 is a left side elevation view thereof; FIG. 6 is a right side elevation view thereof; FIG. 7 is a top plan view thereof; FIG. 8 is a bottom plan view thereof; FIG. 9 is a bottom, left, and front perspective view thereof; and, FIG. 10 is a bottom, right, and front perspective view thereof.

The broken lines illustrate portions of the collection device which form no part of the claimed design.

**1 Claim, 8 Drawing Sheets**



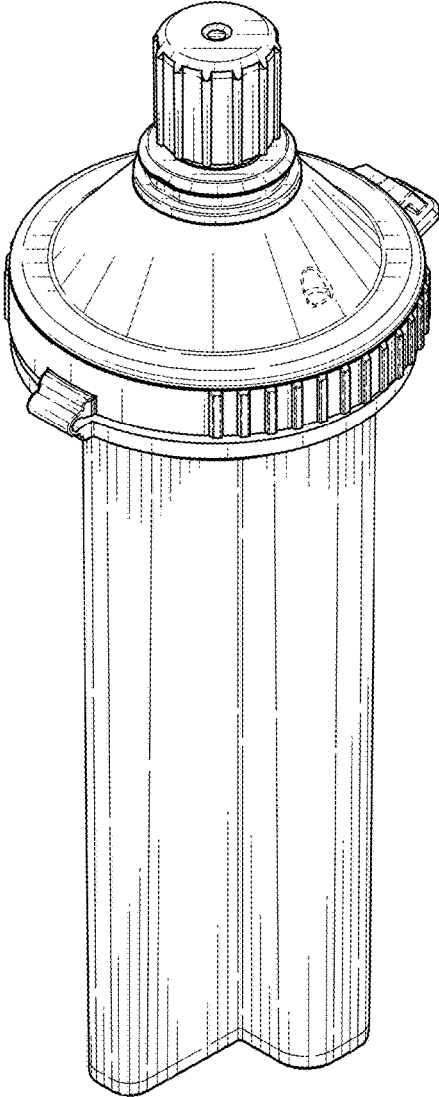


FIG. 1

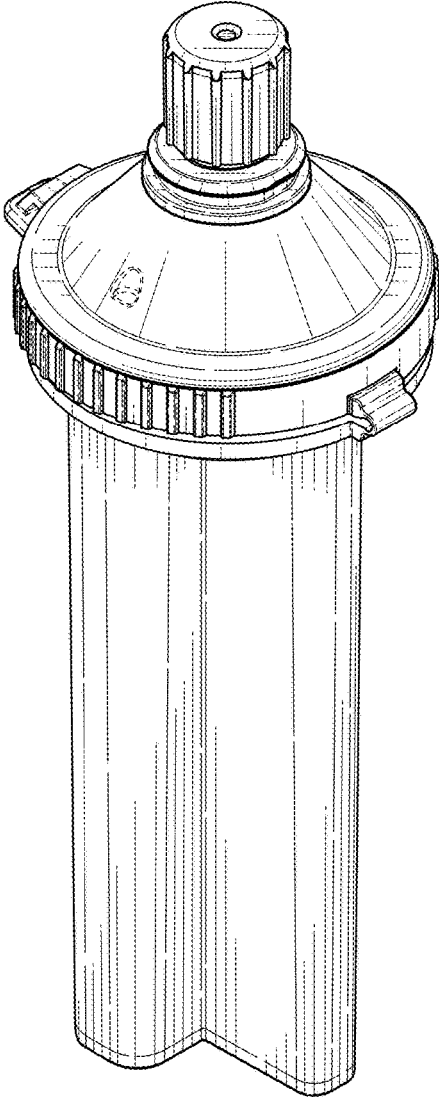


FIG. 2

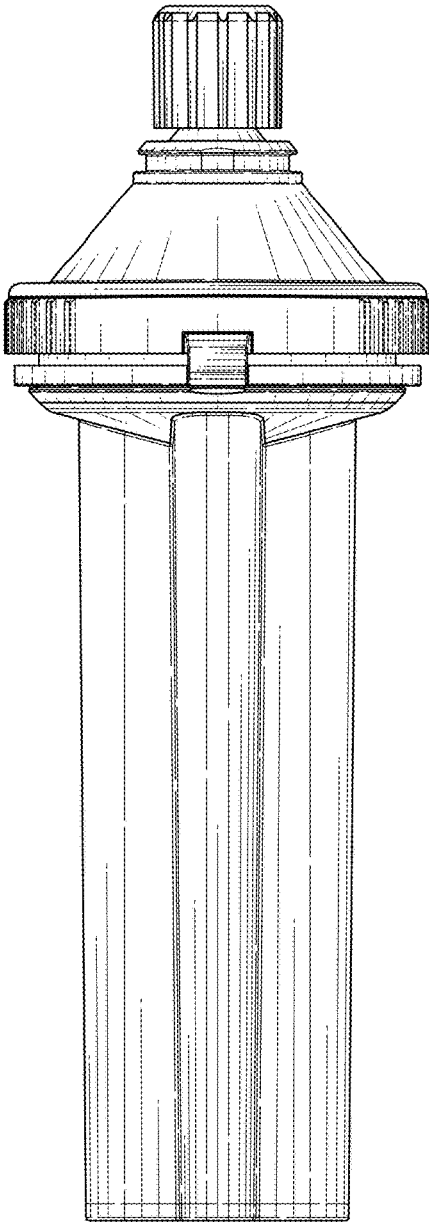


FIG. 3

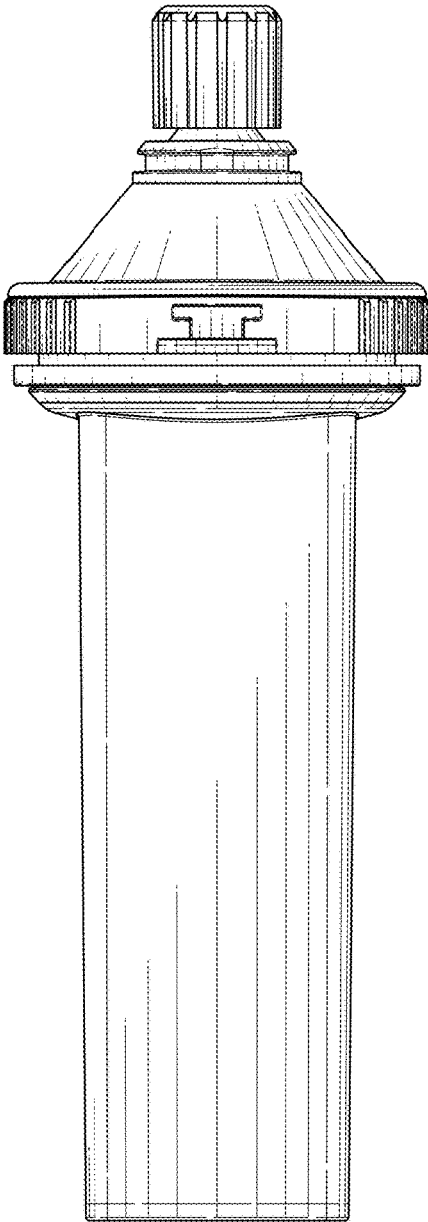


FIG. 4

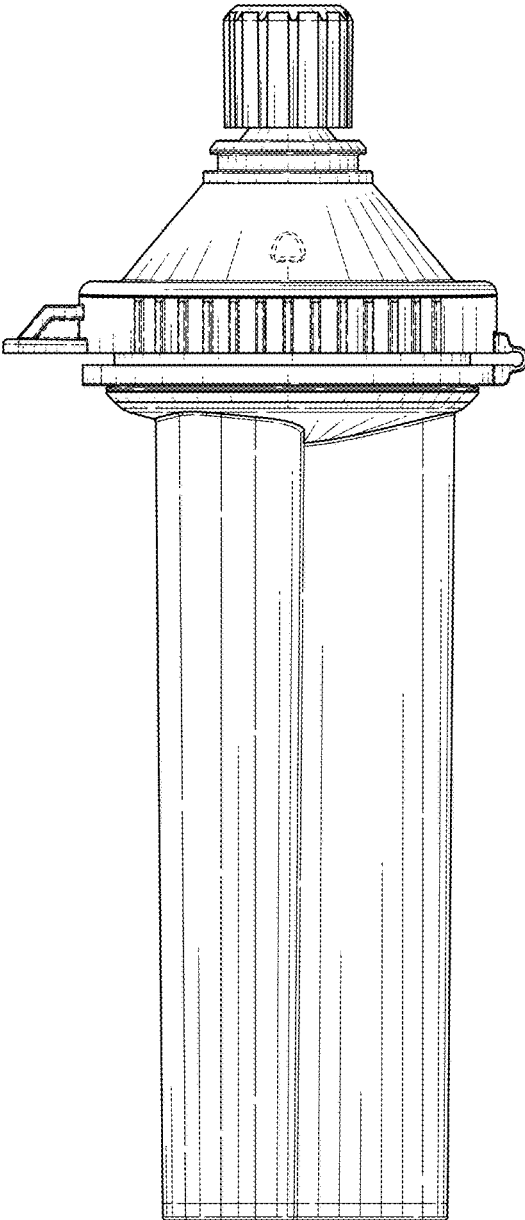


FIG. 5

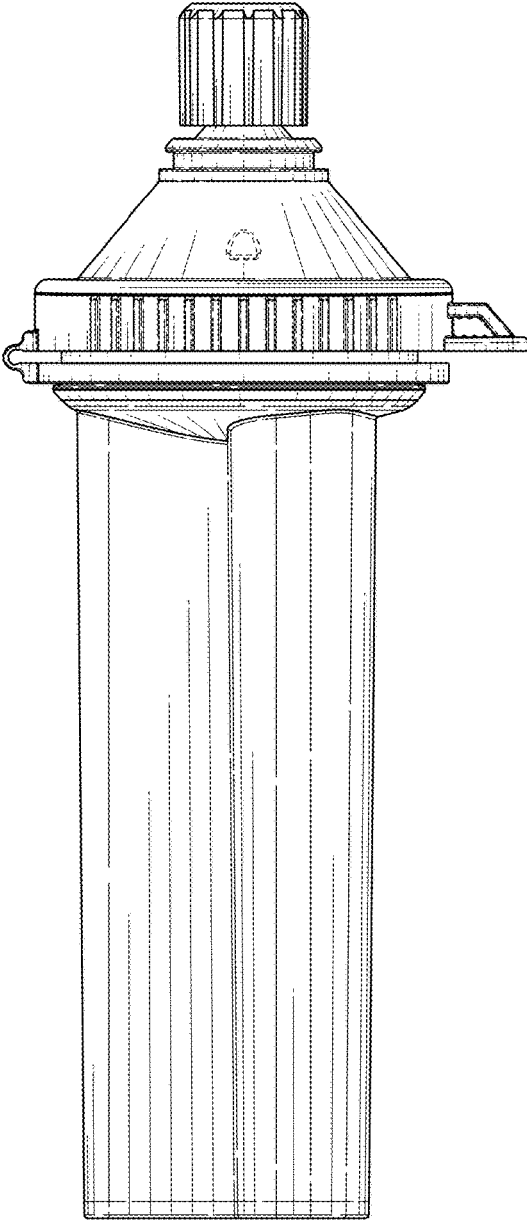


FIG. 6

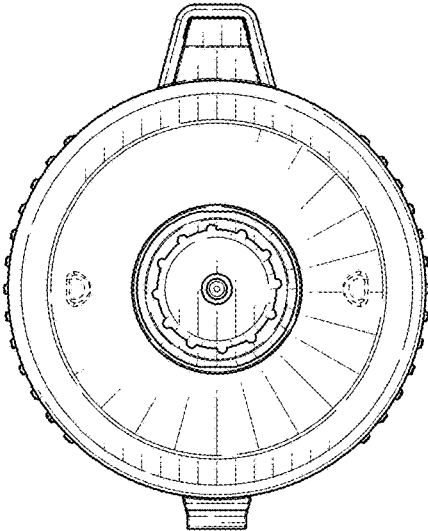


FIG. 7

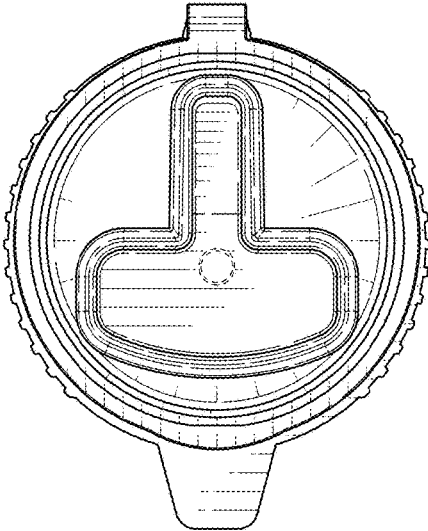


FIG. 8

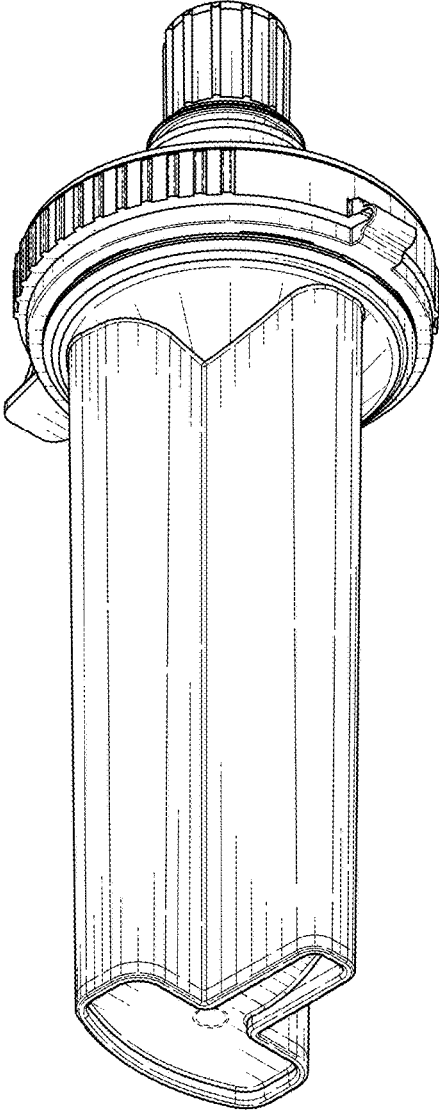


FIG. 9



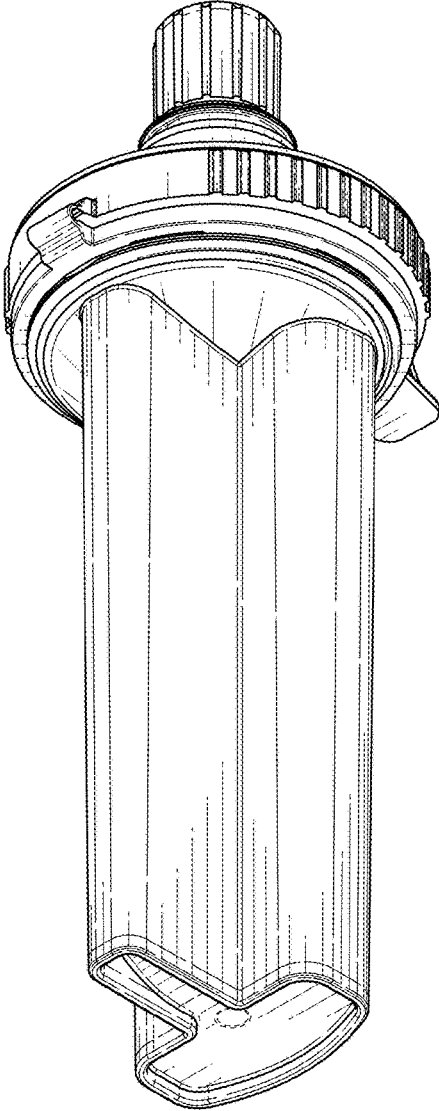


FIG. 10