



US0D1032227S

(12) **United States Design Patent**
Peng

(10) **Patent No.:** **US D1,032,227 S**

(45) **Date of Patent:** **** Jun. 25, 2024**

(54) **LAP DESK**

(71) Applicant: **Lin Peng**, Ganzhou (CN)

(72) Inventor: **Lin Peng**, Ganzhou (CN)

(**) Term: **15 Years**

(21) Appl. No.: **29/922,871**

(22) Filed: **Dec. 26, 2023**

(51) **LOC (14) Cl.** **06-04**

(52) **U.S. Cl.**

USPC **D6/406.4**; D6/406.3

(58) **Field of Classification Search**

USPC ... D6/406.1-406.6, 512, 685, 686, 691, 704,
D6/705; D14/439, 447

CPC A47G 23/06; A47G 23/0608

See application file for complete search history.

(56) **References Cited**

U.S. PATENT DOCUMENTS

D281,555	S	*	12/1985	Levy	D6/691.5
D319,358	S	*	8/1991	Giugiaro	D6/406.1
5,383,411	A	*	1/1995	Tomaka	A47B 23/001 108/132
D355,786	S	*	2/1995	Wolff	D6/406.5
D385,126	S	*	10/1997	Howland	D6/406.6
D404,219	S	*	1/1999	Patterson	D6/406.5
D455,025	S	*	4/2002	Weitzman	D6/406.5
D619,822	S	*	7/2010	Damgaard-Sorensen	D6/406.1
D799,851	S	*	10/2017	Waxman	D6/406.6
D867,784	S	*	11/2019	Stanton	D6/406.5
D892,515	S	*	8/2020	Wang	D6/406.5
D946,302	S	*	3/2022	Leng	D6/406.4
D948,236	S	*	4/2022	Wu	D6/406.5
D996,094	S	*	8/2023	Li	D6/686
D1,018,114	S	*	3/2024	Huang	D6/406.5

FOREIGN PATENT DOCUMENTS

GB 6307723 * 9/2023

OTHER PUBLICATIONS

YPRNM: Lap Desk, Foldable Laptop Table for Bed and Sofa, Portable Bed Trays with Cup Holder for Eating Writing Reading Notebook Stand, Adjustable Lifting Height (Wooden) <https://amzn.asia/d/hiRDF61>, Feb. 2, 2021 (Year: 2021).*

THHN: Modern Adjustable Bed Desk, Baffle/Cup Holder/Folding Legs Portable Multifunctional Bed Tray Table, Bed Sofa Eating Writing Office (Color : Black, Size : 22inchs) <https://amzn.asia/d/5iLwKxN>, Oct. 18, 2021 (Year: 2021).*

(Continued)

Primary Examiner — Bao-Yen T Nguyen

Assistant Examiner — Bethany Louise Mallino

(74) *Attorney, Agent, or Firm* — George D. Morgan

(57) **CLAIM**

The ornamental design for a lap desk, as shown and described.

DESCRIPTION

FIG. 1 is a front perspective view of a lap desk, showing my new design;

FIG. 2 is a bottom perspective view thereof;

FIG. 3 is a front view thereof;

FIG. 4 is a rear view thereof;

FIG. 5 is a left side view thereof;

FIG. 6 is a right side view thereof;

FIG. 7 is a top view thereof;

FIG. 8 is a bottom view thereof;

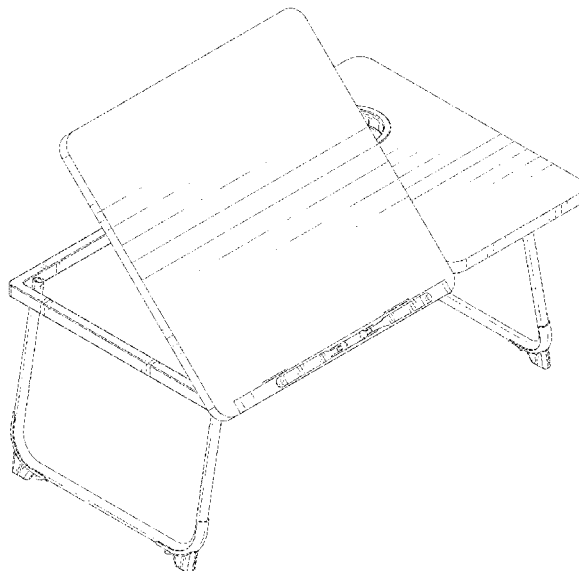
FIG. 9 is the state diagram of closed desk thereof; and,

FIG. 10 is an enlarged detail view of area 10 in FIG. 2.

The broken lines in the drawings illustrate the portions of the lap desk, which form no part of the claimed design.

The dash-dot-dash broken lines encircling the enlarged views are for annotative purposes only and form no part of the claim thereof.

1 Claim, 10 Drawing Sheets



(56)

References Cited

OTHER PUBLICATIONS

EYdoter: Adjustable Laptop Desk for Bed, Bed Table for Laptop, Laptop Stand for Bed, Lap Desk for Laptop, Foldable Bed Desk for Laptop and Writing, Portable Bed Tray Table with Cup Holder, Laptop Bed Tray Table <https://a.co/d/3JnAMmV>, Aug. 16, 2023 (Year: 2023).*

* cited by examiner

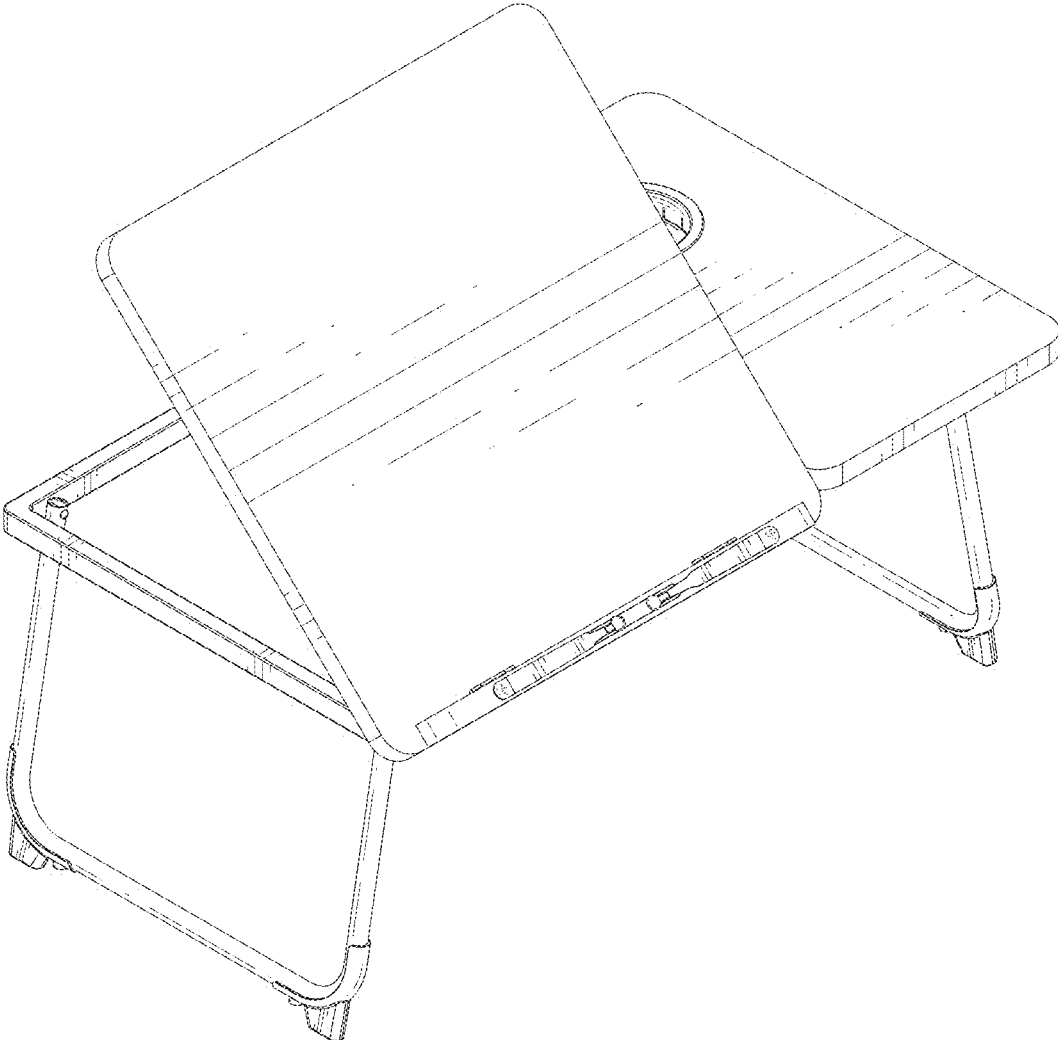


FIG. 1

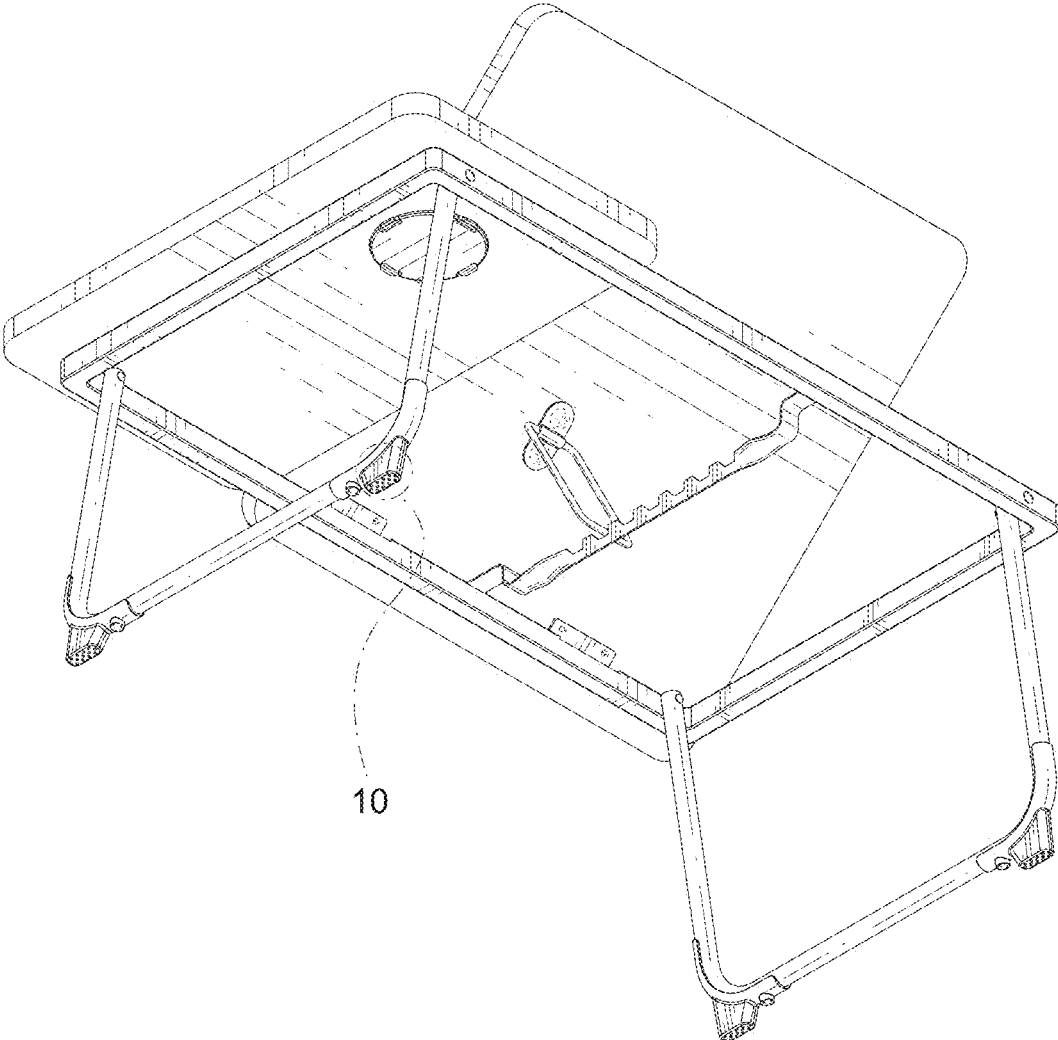


FIG. 2

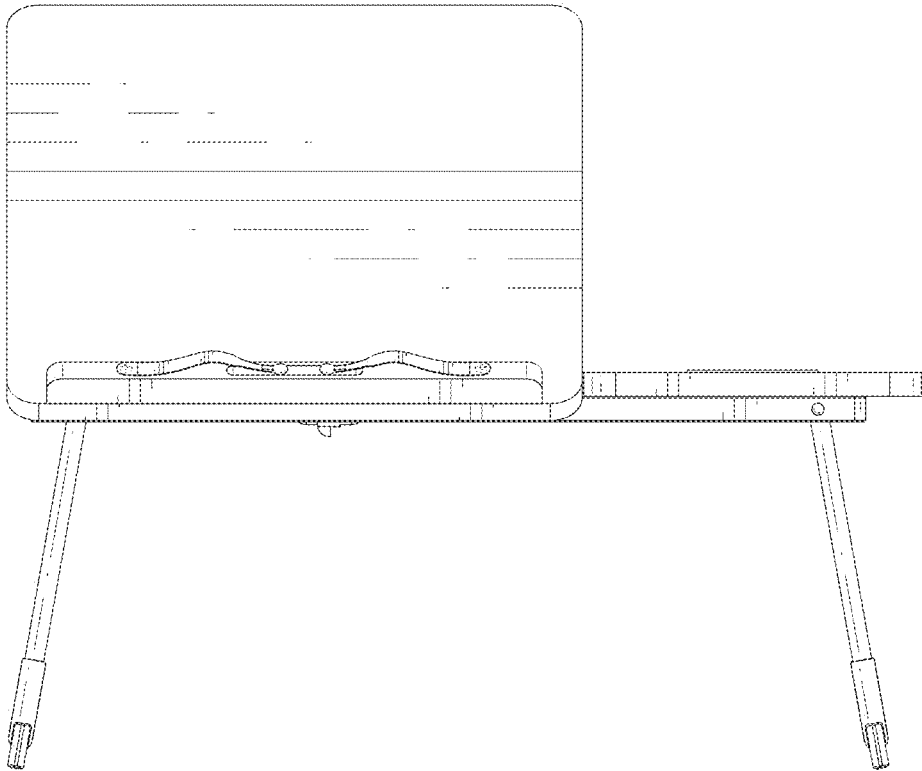


FIG. 3

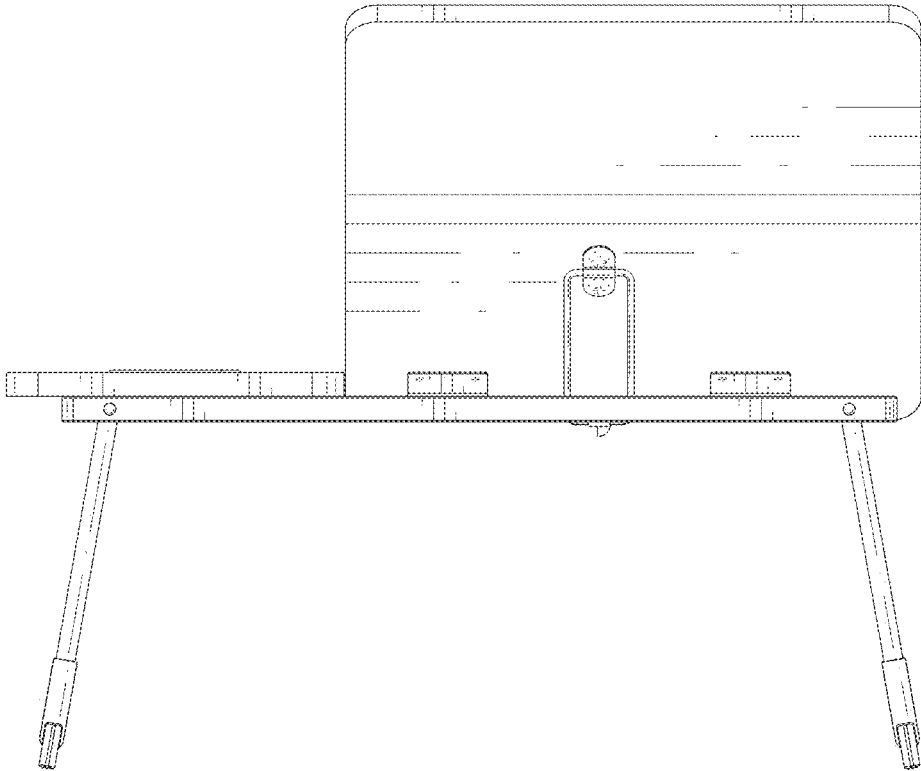


FIG. 4

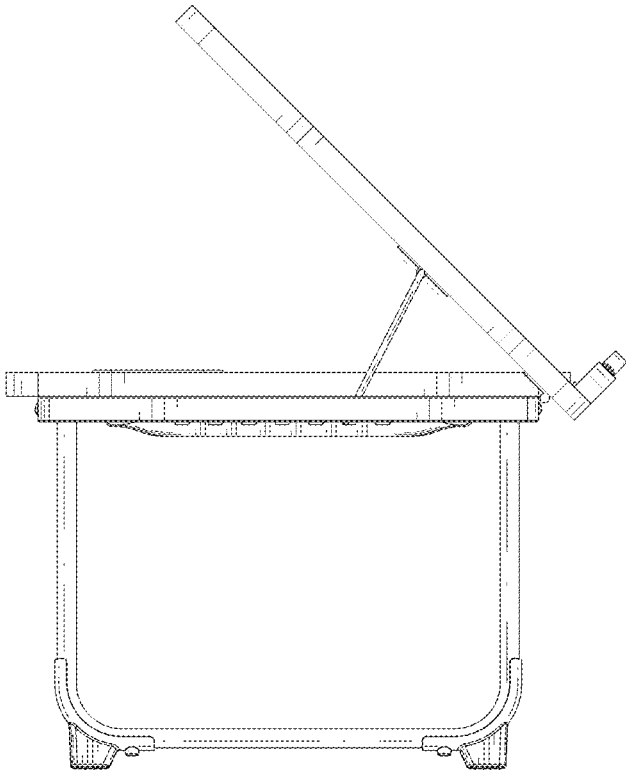


FIG. 5

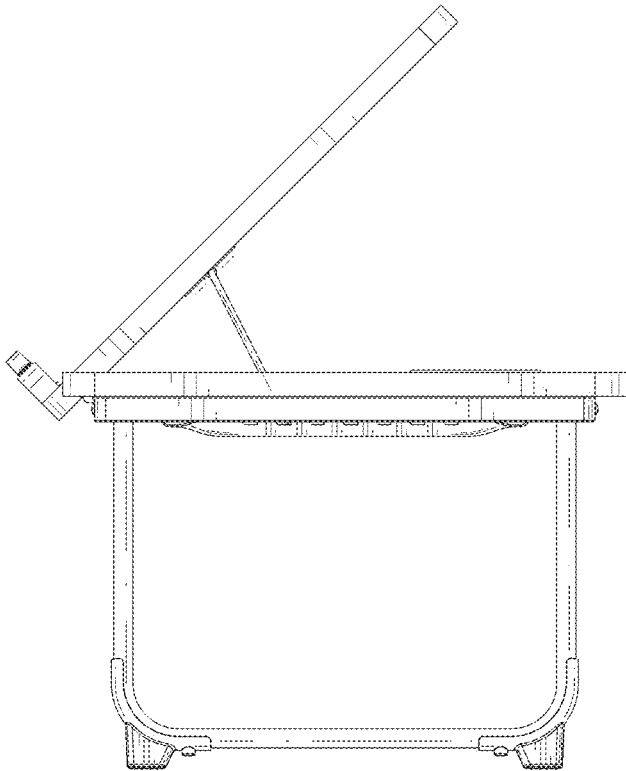


FIG. 6

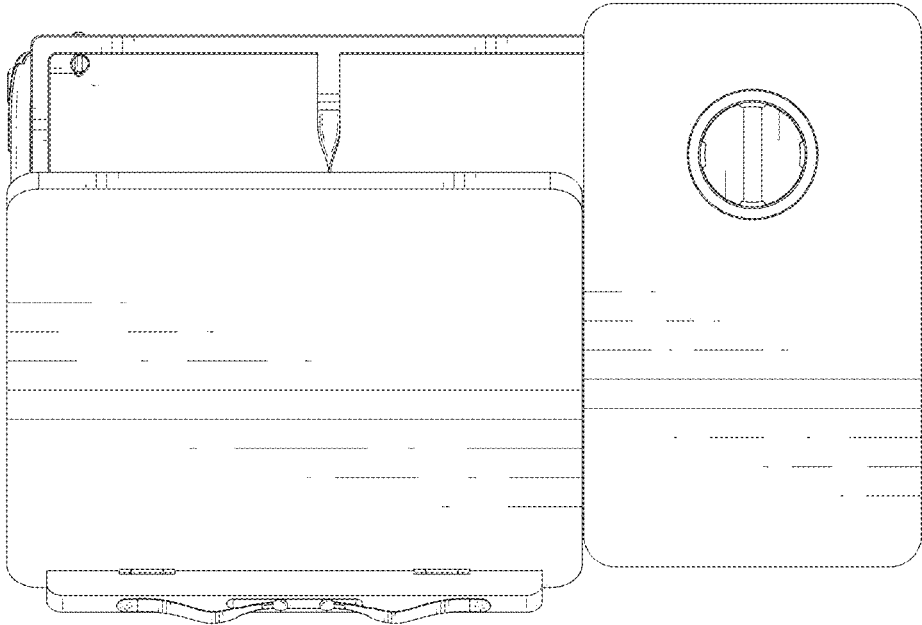


FIG. 7

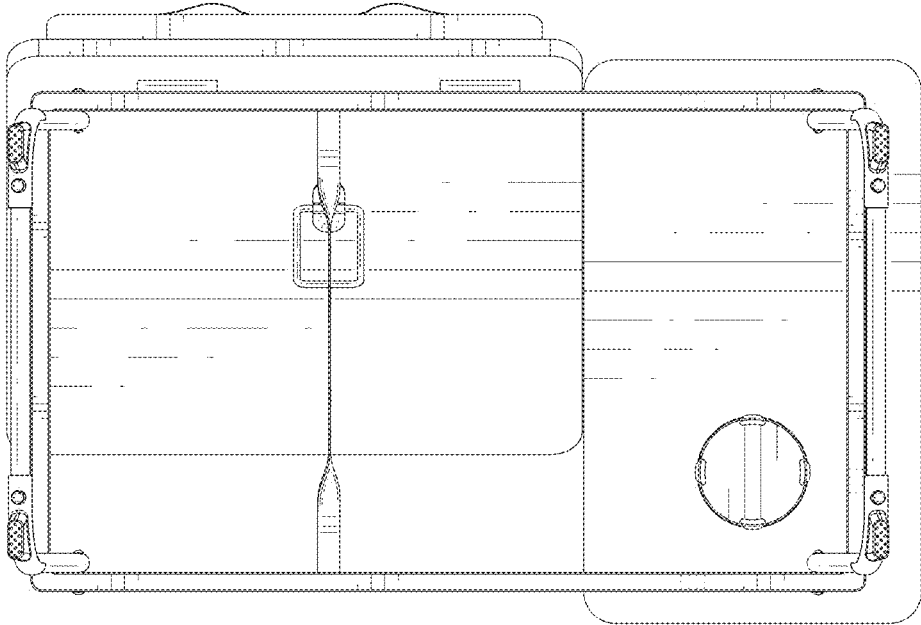


FIG. 8

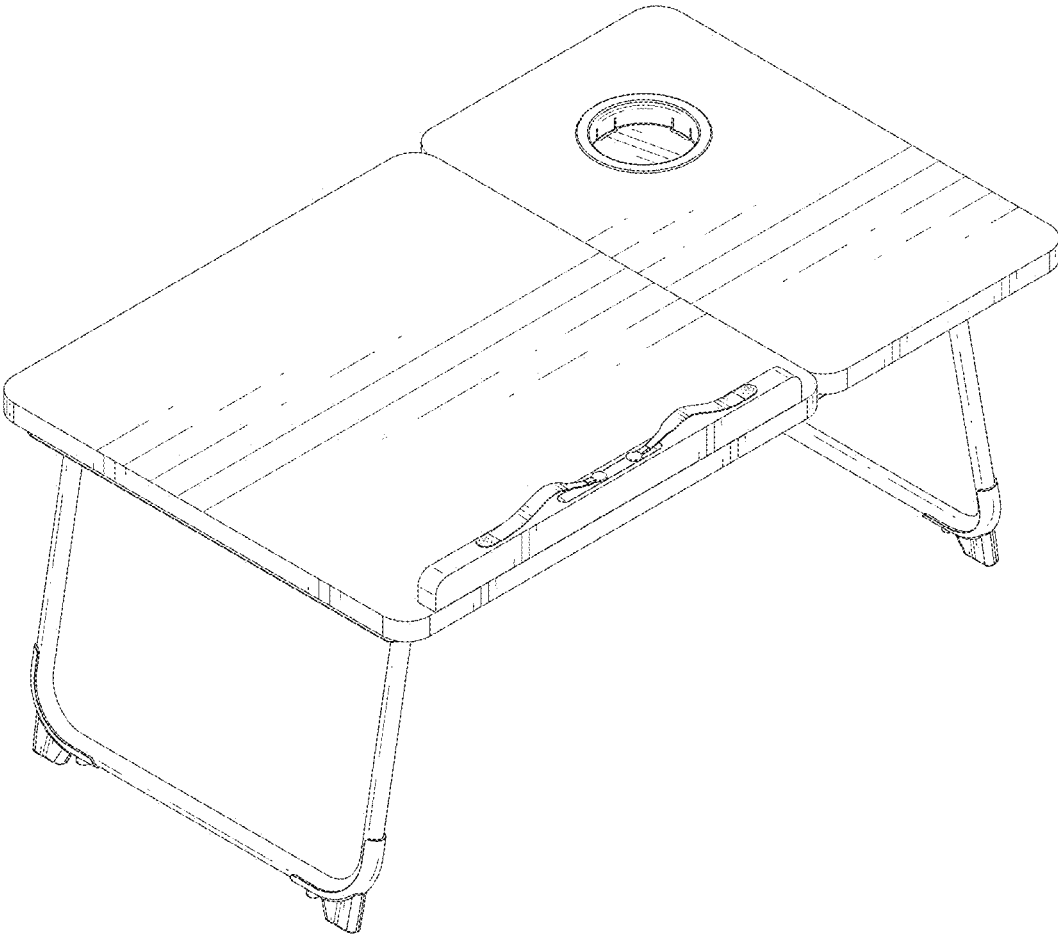


FIG. 9

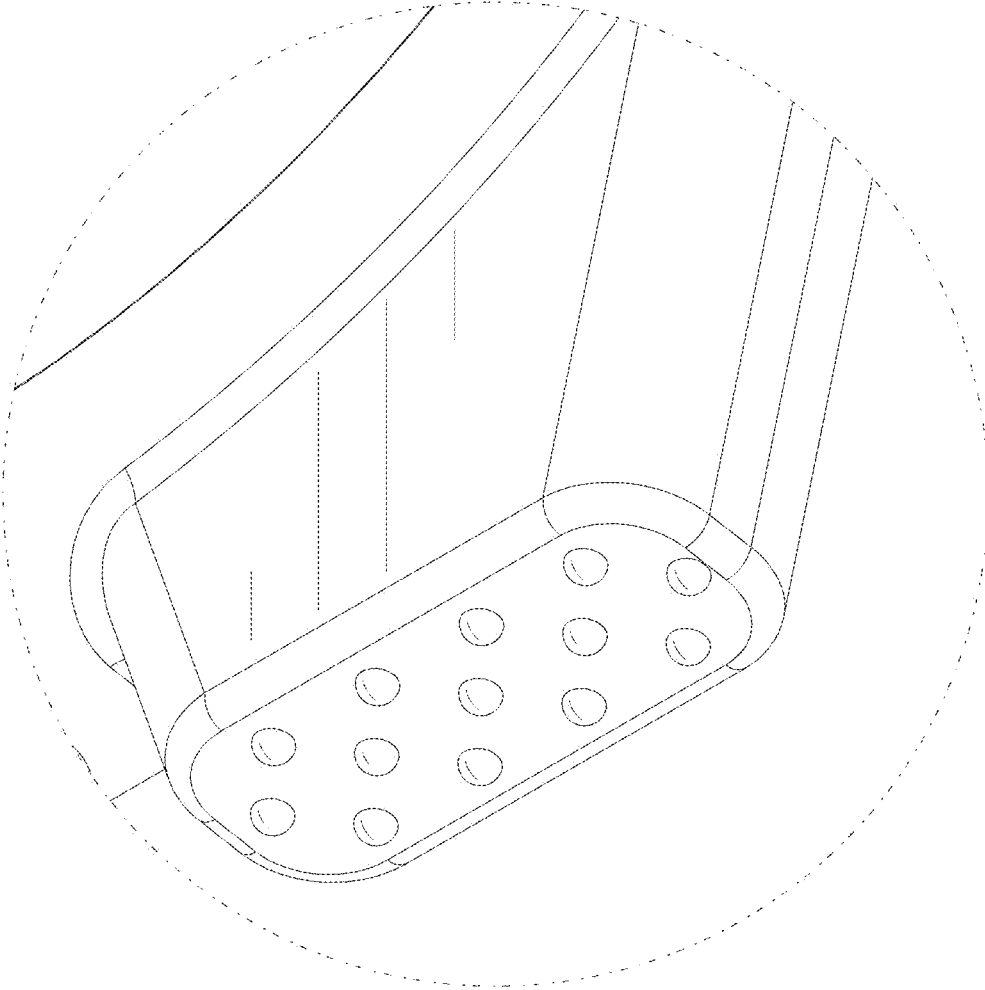


FIG. 10