

(19) World Intellectual Property Organization
International Bureau



(43) International Publication Date
31 July 2003 (31.07.2003)

PCT

(10) International Publication Number
WO 03/063528 A3

- (51) International Patent Classification⁷: **H04Q 7/32**
- (21) International Application Number: PCT/GB03/00083
- (22) International Filing Date: 13 January 2003 (13.01.2003)
- (25) Filing Language: English
- (26) Publication Language: English
- (30) Priority Data:
0200942.1 16 January 2002 (16.01.2002) GB
0223063.9 4 October 2002 (04.10.2002) GB
- (71) Applicant (for all designated States except US): **SURE ON SIGHT LTD** [GB/GB]; Rod Hill House, Grindleton, Lancashire BB7 4RX (GB).

- (81) Designated States (national): AE, AG, AL, AM, AT, AU, AZ, BA, BB, BG, BR, BY, BZ, CA, CH, CN, CO, CR, CU, CZ, DE, DK, DM, DZ, EC, EE, ES, FI, GB, GD, GE, GH, GM, HR, HU, ID, IL, IN, IS, JP, KE, KG, KP, KR, KZ, LC, LK, LR, LS, LT, LU, LV, MA, MD, MG, MK, MN, MW, MX, MZ, NO, NZ, OM, PH, PL, PT, RO, RU, SD, SE, SG, SK, SL, TJ, TM, TN, TR, TT, TZ, UA, UG, US, UZ, VN, YU, ZA, ZM, ZW.
- (84) Designated States (regional): ARIPO patent (GH, GM, KE, LS, MW, MZ, SD, SL, SZ, TZ, UG, ZM, ZW), Eurasian patent (AM, AZ, BY, KG, KZ, MD, RU, TJ, TM), European patent (AT, BE, BG, CH, CY, CZ, DE, DK, EE, ES, FI, FR, GB, GR, HU, IE, IT, LU, MC, NL, PT, SE, SI, SK, TR), OAPI patent (BF, BJ, CF, CG, CI, CM, GA, GN, GQ, GW, ML, MR, NE, SN, TD, TG).

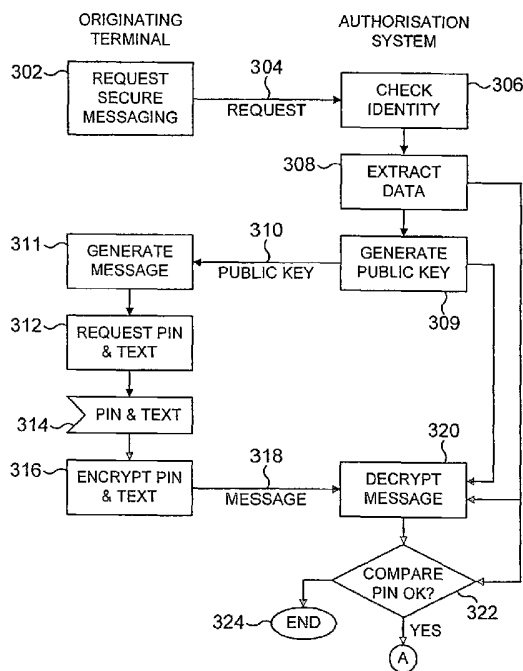
Published:
— with international search report

- (72) Inventor; and
- (75) Inventor/Applicant (for US only): **HAWKES, Michael** [GB/GB]; Lyme House, Dunwood Lane, Staffordshire ST13 8RH (GB).
- (74) Agents: **MUSKER, David, C.** et al.; R.G.C. Jenkins & Co., 26 Caxton Street, London SW1H 0RJ (GB).

(88) Date of publication of the international search report:
16 October 2003

For two-letter codes and other abbreviations, refer to the "Guidance Notes on Codes and Abbreviations" appearing at the beginning of each regular issue of the PCT Gazette.

(54) Title: SECURE MESSAGING VIA A MOBILE COMMUNICATIONS NETWORK



(57) Abstract: A mobile terminal adapted to receive a message via a mobile communications network; request authentication data from the user of said mobile terminal; and automatically generate an acknowledgement message to the sender of said message including said authentication data.

WO 03/063528 A3

INTERNATIONAL SEARCH REPORT

International Application No
PCT/GB 03/00083

A. CLASSIFICATION OF SUBJECT MATTER
IPC 7 H04Q7/32

According to International Patent Classification (IPC) or to both national classification and IPC

B. FIELDS SEARCHED
Minimum documentation searched (classification system followed by classification symbols)
IPC 7 H04Q G06F G08B H04B G07B

Documentation searched other than minimum documentation to the extent that such documents are included in the fields searched

Electronic data base consulted during the international search (name of data base and, where practical, search terms used)
EPO-Internal, WPI Data, PAJ, INSPEC, COMPENDEX, IBM-TDB

C. DOCUMENTS CONSIDERED TO BE RELEVANT

| Category ° | Citation of document, with indication, where appropriate, of the relevant passages | Relevant to claim No. |
|------------|---|-----------------------|
| 1 X | WO 92 17006 A (MOTOROLA INC) 1 October 1992 (1992-10-01) page 3, line 5 - line 20 claim 1 --- | 1,2 |
| 1 X | WO 98 37663 A (LEONARDI ROBERT ;POSTGIROT BANK AB PUBL (SE)) 27 August 1998 (1998-08-27) page 3, line 30 -page 4, line 24 page 8, line 3 - line 36 --- | 1,2 |
| 1 X | WO 00 54457 A (SONERA SMARTTRUST OY ;VATANEN HARRI (GB)) 14 September 2000 (2000-09-14) page 4, line 34 -page 6, line 36 abstract --- -/-- | 1,2 |

Further documents are listed in the continuation of box C. Patent family members are listed in annex.

° Special categories of cited documents :

| | |
|---|---|
| "A" document defining the general state of the art which is not considered to be of particular relevance | "T" later document published after the international filing date or priority date and not in conflict with the application but cited to understand the principle or theory underlying the invention |
| "E" earlier document but published on or after the international filing date | "X" document of particular relevance; the claimed invention cannot be considered novel or cannot be considered to involve an inventive step when the document is taken alone |
| "L" document which may throw doubts on priority claim(s) or which is cited to establish the publication date of another citation or other special reason (as specified) | "Y" document of particular relevance; the claimed invention cannot be considered to involve an inventive step when the document is combined with one or more other such documents, such combination being obvious to a person skilled in the art. |
| "O" document referring to an oral disclosure, use, exhibition or other means | "&" document member of the same patent family |
| "P" document published prior to the international filing date but later than the priority date claimed | |

| | |
|---|---|
| Date of the actual completion of the international search 23 April 2003 | Date of mailing of the international search report 30.07.03 |
|---|---|

| | |
|--|--------------------------------------|
| Name and mailing address of the ISA European Patent Office, P.B. 5818 Patentlaan 2 NL - 2280 HV Rijswijk Tel. (+31-70) 340-2040, Tx. 31 651 epo nl, Fax: (+31-70) 340-3016 | Authorized officer Falò, L |
|--|--------------------------------------|

INTERNATIONAL SEARCH REPORT

International Application No
PCT/GB 03/00083

C.(Continuation) DOCUMENTS CONSIDERED TO BE RELEVANT

| Category ° | Citation of document, with indication, where appropriate, of the relevant passages | Relevant to claim No. |
|------------|--|-----------------------|
| 1 | <p>X WO 97 45814 A (VAZVAN BEHRUZ) 4 December 1997 (1997-12-04) abstract page 6, line 14 - line 20 page 12, line 24 - line 25 ---</p> | 1,2 |
| 1 | <p>X EP 1 107 623 A (NOKIA MOBILE PHONES LTD) 13 June 2001 (2001-06-13) abstract paragraph [0009] paragraph [0013] - paragraph [0019] ---</p> | 1,2 |
| 20 | <p>X SALZMAN L ET AL: "PERIODIC RADIO USER CHECK IN WITH PERSONAL IDENTIFICATION CODE" MOTOROLA TECHNICAL DEVELOPMENTS, MOTOROLA INC. SCHAUMBURG, ILLINOIS, US, vol. 17, 1 December 1992 (1992-12-01), pages 43-44, XP000329481 ISSN: 0887-5286 the whole document ---</p> | 1,2 |
| 1 | <p>A FR 2 809 922 A (FRANCE TELECOM) 7 December 2001 (2001-12-07) abstract page 1 ---</p> | 2 |
| 1 | <p>A WO 00 42787 A (AHONEN PASI MATTI KALEVI ;ERICSSON TELEFON AB L M (SE)) 20 July 2000 (2000-07-20) page 4, line 33 -page 5, line 20 -----</p> | 1,2 |

FURTHER INFORMATION CONTINUED FROM PCT/ISA/ 210

This International Searching Authority found multiple (groups of) inventions in this international application, as follows:

1. Claims: 1-2

System for authenticating the user of a mobile terminal in a telecommunications system.

2. Claims: 3-10

System for authenticating the sender of a message in a telecommunications network.

3. Claims: 11-29

Method of transmitting a message, includes requiring the user to send an acknowledgement upon receiving said message.

4. Claims: 30-32

Method of encrypting a text message in a telecommunications network.

INTERNATIONAL SEARCH REPORT

International application No.
PCT/GB 03/00083

Box I Observations where certain claims were found unsearchable (Continuation of item 1 of first sheet)

This International Search Report has not been established in respect of certain claims under Article 17(2)(a) for the following reasons:

1. Claims Nos.:
because they relate to subject matter not required to be searched by this Authority, namely:

2. Claims Nos.:
because they relate to parts of the International Application that do not comply with the prescribed requirements to such an extent that no meaningful International Search can be carried out, specifically:

3. Claims Nos.:
because they are dependent claims and are not drafted in accordance with the second and third sentences of Rule 6.4(a).

Box II Observations where unity of invention is lacking (Continuation of item 2 of first sheet)

This International Searching Authority found multiple inventions in this international application, as follows:

see additional sheet

1. As all required additional search fees were timely paid by the applicant, this International Search Report covers all searchable claims.

2. As all searchable claims could be searched without effort justifying an additional fee, this Authority did not invite payment of any additional fee.

3. As only some of the required additional search fees were timely paid by the applicant, this International Search Report covers only those claims for which fees were paid, specifically claims Nos.:

4. No required additional search fees were timely paid by the applicant. Consequently, this International Search Report is restricted to the invention first mentioned in the claims; it is covered by claims Nos.:

1-2

Remark on Protest

- The additional search fees were accompanied by the applicant's protest.
- No protest accompanied the payment of additional search fees.

INTERNATIONAL SEARCH REPORT

 Inte | Application No
 PCT/GB 03/00083

| Patent document cited in search report | | Publication date | Patent family member(s) | Publication date |
|--|---|------------------|-------------------------|------------------|
| WO 9217006 | A | 01-10-1992 | WO 9217006 A1 | 01-10-1992 |
| WO 9837663 | A | 27-08-1998 | SE 508844 C2 | 09-11-1998 |
| | | | AU 725952 B2 | 26-10-2000 |
| | | | AU 6126898 A | 09-09-1998 |
| | | | BR 9807372 A | 14-03-2000 |
| | | | CN 1248367 T | 22-03-2000 |
| | | | EP 0962071 A1 | 08-12-1999 |
| | | | JP 2001513274 T | 28-08-2001 |
| | | | NO 993939 A | 19-10-1999 |
| | | | SE 9700587 A | 20-08-1998 |
| | | | WO 9837663 A1 | 27-08-1998 |
| | | | US 6556680 B1 | 29-04-2003 |
| WO 0054457 | A | 14-09-2000 | FI 990502 A | 09-09-2000 |
| | | | AU 3168800 A | 28-09-2000 |
| | | | CA 2366146 A1 | 14-09-2000 |
| | | | CN 1350736 T | 22-05-2002 |
| | | | EP 1161813 A1 | 12-12-2001 |
| | | | WO 0054457 A1 | 14-09-2000 |
| | | | US 2003008637 A1 | 09-01-2003 |
| WO 9745814 | A | 04-12-1997 | FI 971248 A | 26-04-1997 |
| | | | FI 970767 A | 20-10-1997 |
| | | | EP 0960402 A1 | 01-12-1999 |
| | | | FI 971009 A | 26-04-1997 |
| | | | WO 9745814 A1 | 04-12-1997 |
| EP 1107623 | A | 13-06-2001 | EP 1107623 A2 | 13-06-2001 |
| FR 2809922 | A | 07-12-2001 | FR 2809922 A1 | 07-12-2001 |
| | | | CA 2407827 A1 | 15-11-2001 |
| | | | EP 1282985 A1 | 12-02-2003 |
| | | | FR 2809923 A1 | 07-12-2001 |
| | | | WO 0186978 A1 | 15-11-2001 |
| WO 0042787 | A | 20-07-2000 | FI 990037 A | 12-07-2000 |
| | | | AU 1986300 A | 01-08-2000 |
| | | | CN 1333980 T | 30-01-2002 |
| | | | EP 1142368 A1 | 10-10-2001 |
| | | | WO 0042787 A1 | 20-07-2000 |
| | | | JP 2002535897 T | 22-10-2002 |
| | | | TR 200101916 T2 | 22-10-2001 |