



US00D995791S

(12) **United States Design Patent**
Wade et al.

(10) **Patent No.:** **US D995,791 S**
(45) **Date of Patent:** **** Aug. 15, 2023**

(54) **HAIR REMOVAL DEVICE**
(71) Applicant: **Alura Inc.**, Houston, TX (US)
(72) Inventors: **Lucas Wade**, Austin, TX (US); **Nathan Careless**, Cedar Park, TX (US); **Scott Slade**, Round Rock, TX (US); **Adam Prather**, Austin, TX (US)
(73) Assignee: **Alura Inc.**, Houston, TX (US)

D940,879 S * 1/2022 Ryu D24/185
2007/0156124 A1 * 7/2007 Ignon A61B 50/10
606/9
2008/0300582 A1 * 12/2008 Park A61B 18/20
606/9
2016/0310756 A1 * 10/2016 Boll A61N 5/0616
2019/0184192 A1 * 6/2019 Kim A61N 5/0616
2020/0237438 A1 * 7/2020 Seo A61B 18/203
2020/0337771 A1 * 10/2020 Schomacker A61B 18/203

* cited by examiner

(**) Term: **15 Years**
(21) Appl. No.: **29/778,854**

Primary Examiner — Wan Laymon
(74) *Attorney, Agent, or Firm* — Hanrahan Law Firm,
P.A.; Benjamin M. Hanrahan

(22) Filed: **Apr. 15, 2021**
(51) **LOC (14) Cl.** **24-02**
(52) **U.S. Cl.**
USPC **D24/185**
(58) **Field of Classification Search**
USPC D24/107, 144, 177, 185–186, 200;
D34/12, 14; D28/9
CPC A61N 5/0616; A61N 5/0617; A61N 5/067;
A61B 18/20; A61B 18/202; A61B 18/203
See application file for complete search history.

(57) **CLAIM**

The ornamental design for a hair removal device, as shown and described.

(56) **References Cited**

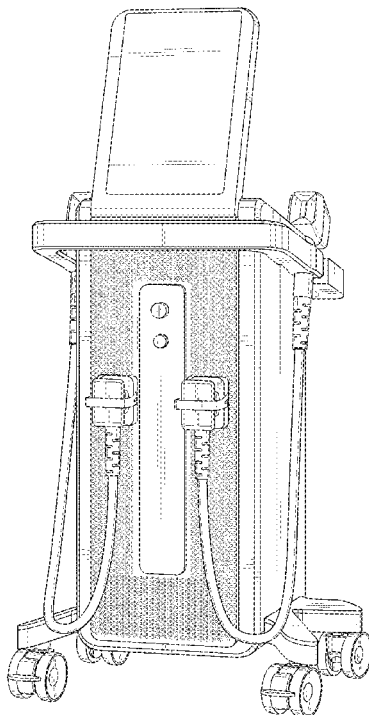
U.S. PATENT DOCUMENTS

D323,387 S * 1/1992 Neumeister D24/186
D347,896 S * 6/1994 Dickinson D24/185
D407,684 S * 4/1999 Moss D24/144
6,758,845 B1 * 7/2004 Weckwerth A61B 18/203
606/9
D707,360 S * 6/2014 Kim D24/185
D905,857 S * 12/2020 Oischikorraf D24/186

DESCRIPTION

FIG. 1 is a front perspective view illustrating our design for a hair removal device.
FIG. 2 is a front view thereof.
FIG. 3 is a left-side view thereof.
FIG. 4 is a rear view thereof.
FIG. 5 is a right-side view thereof.
FIG. 6 is a top view thereof; and,
FIG. 7 is a bottom view thereof.
The broken lines in the drawings depict portions of the hair removal device that form no part of the claimed design.

1 Claim, 7 Drawing Sheets



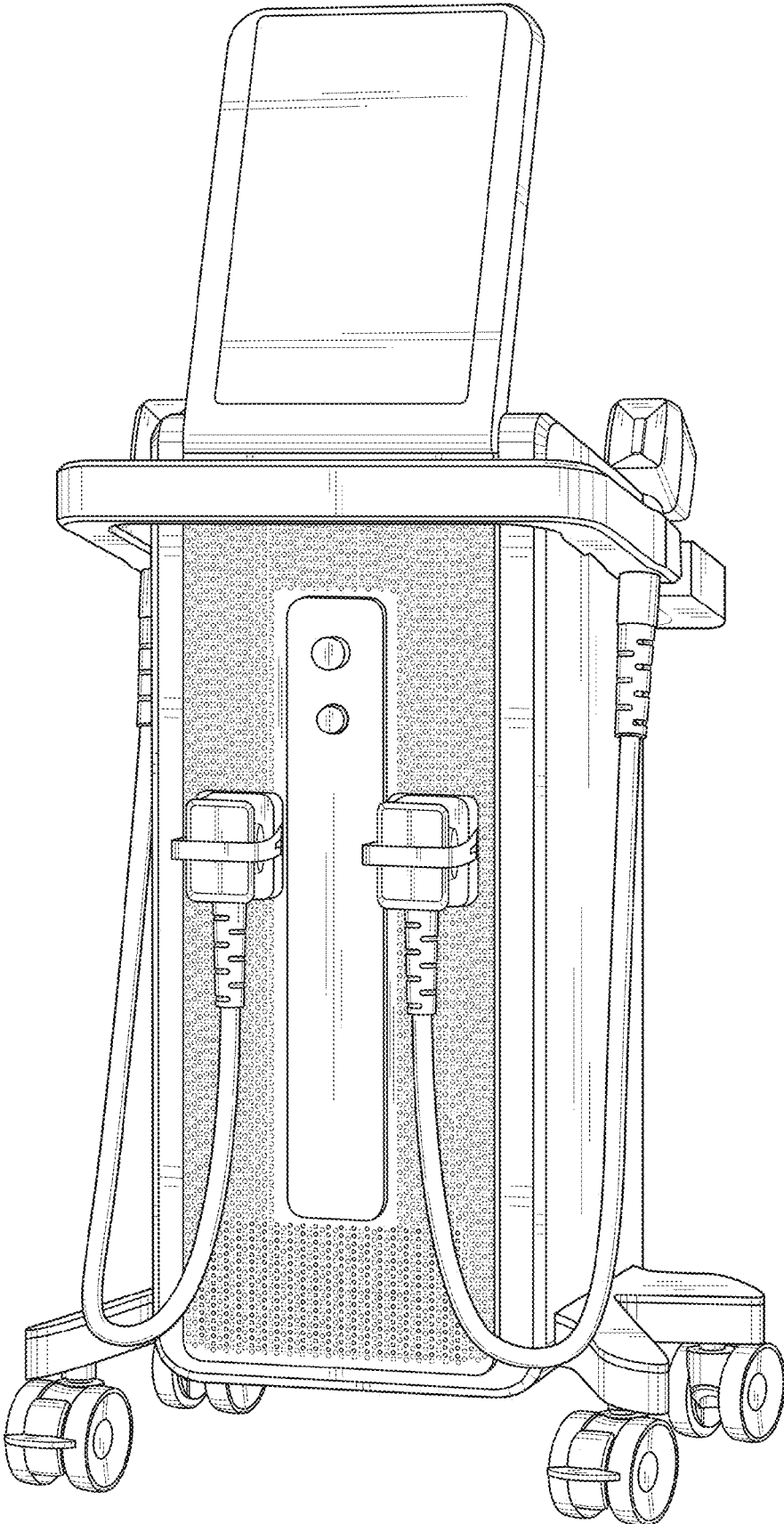


FIG. 1

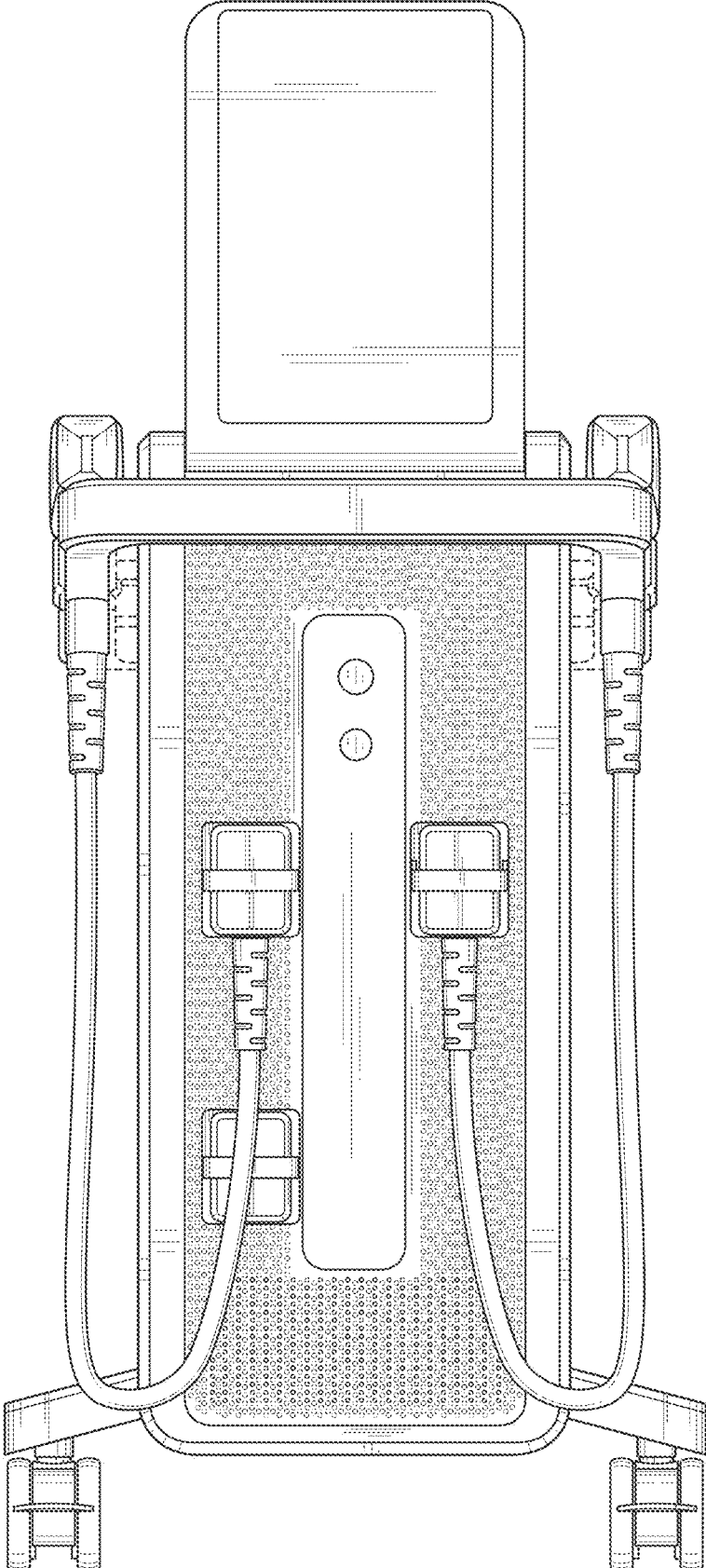


FIG. 2

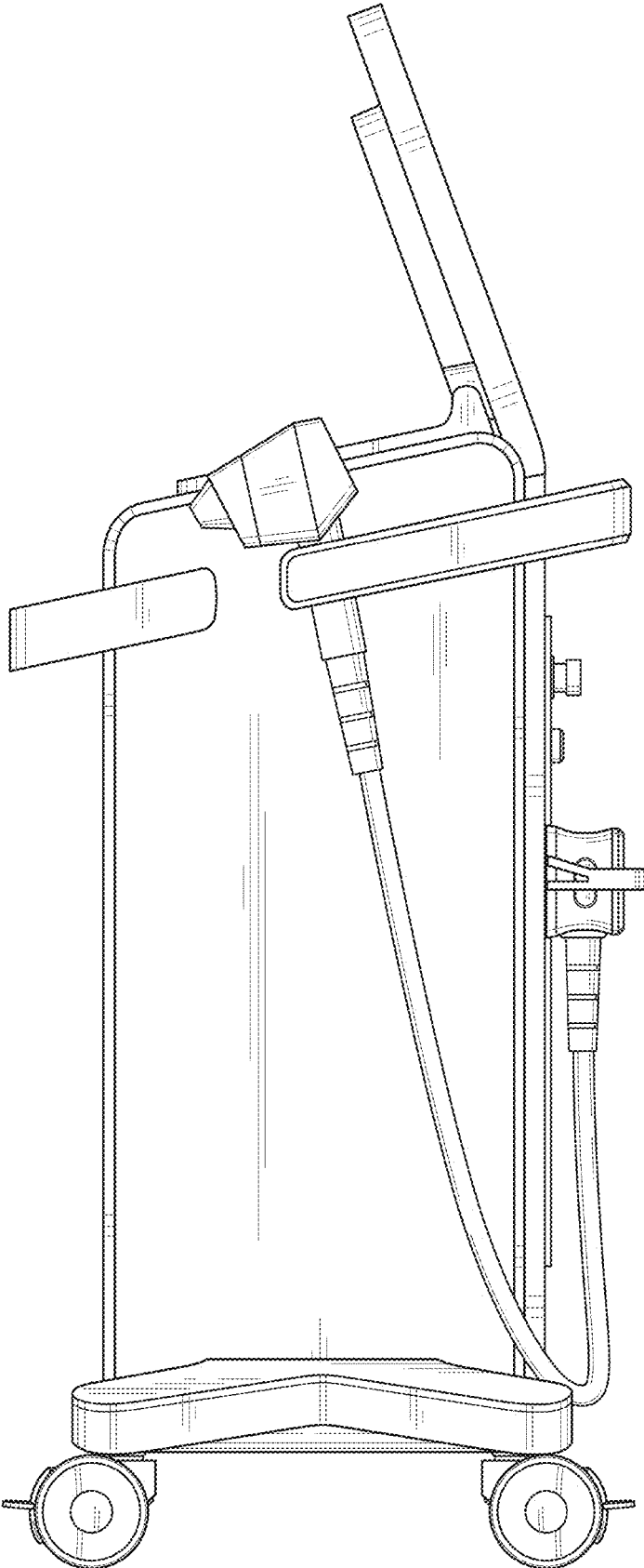


FIG. 3

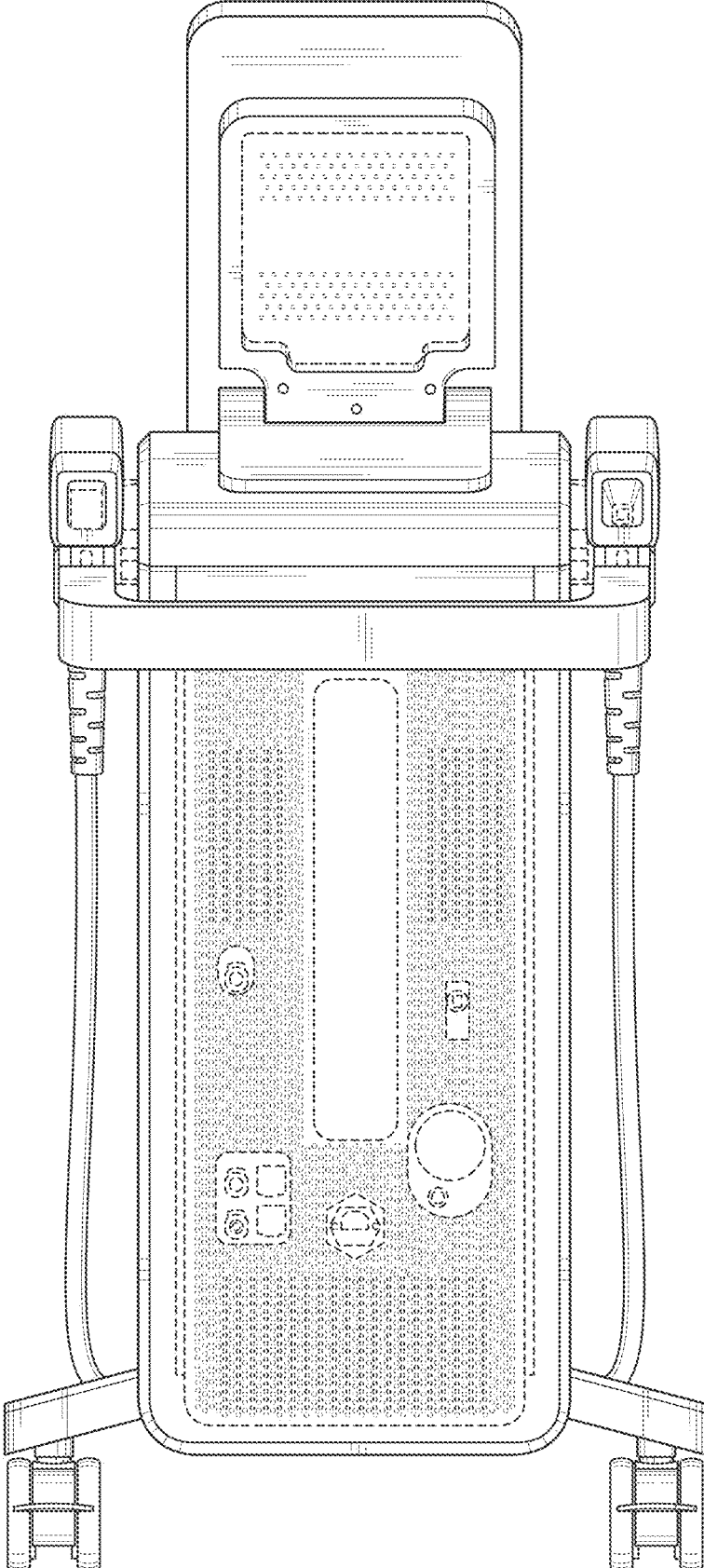


FIG. 4

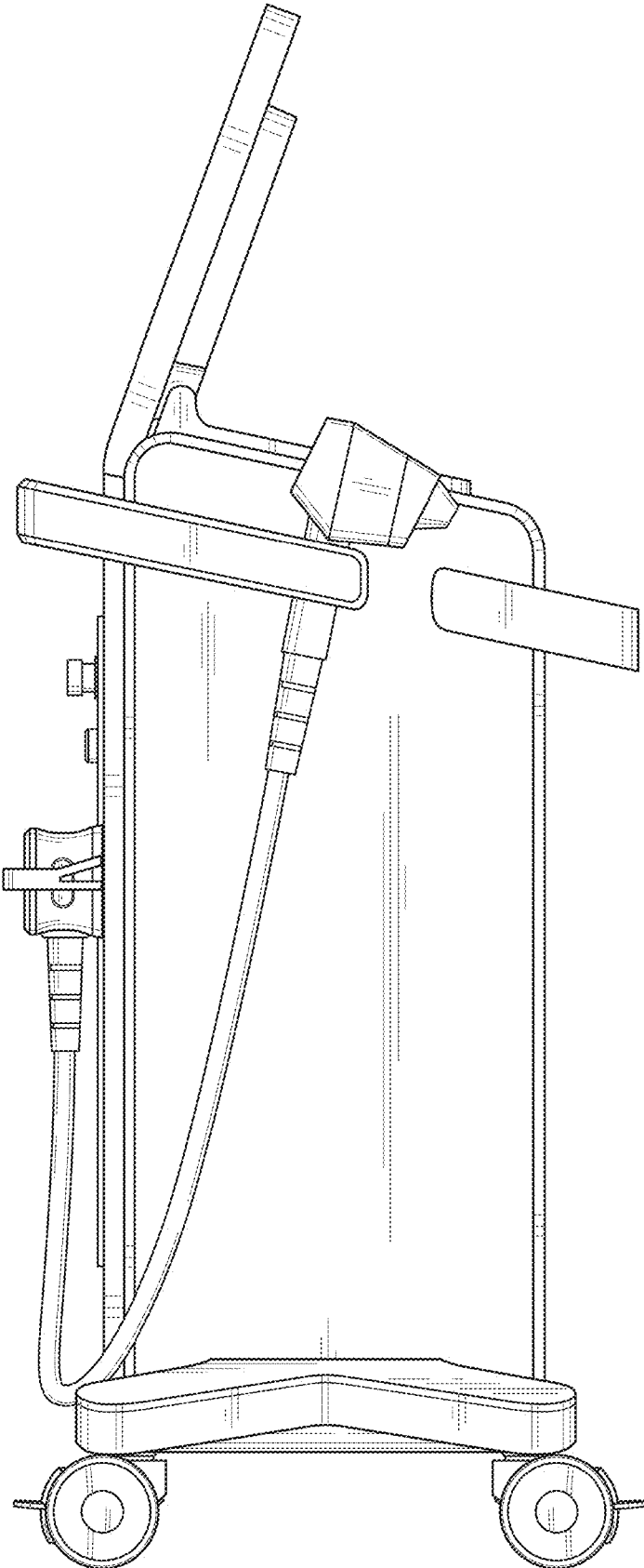


FIG. 5

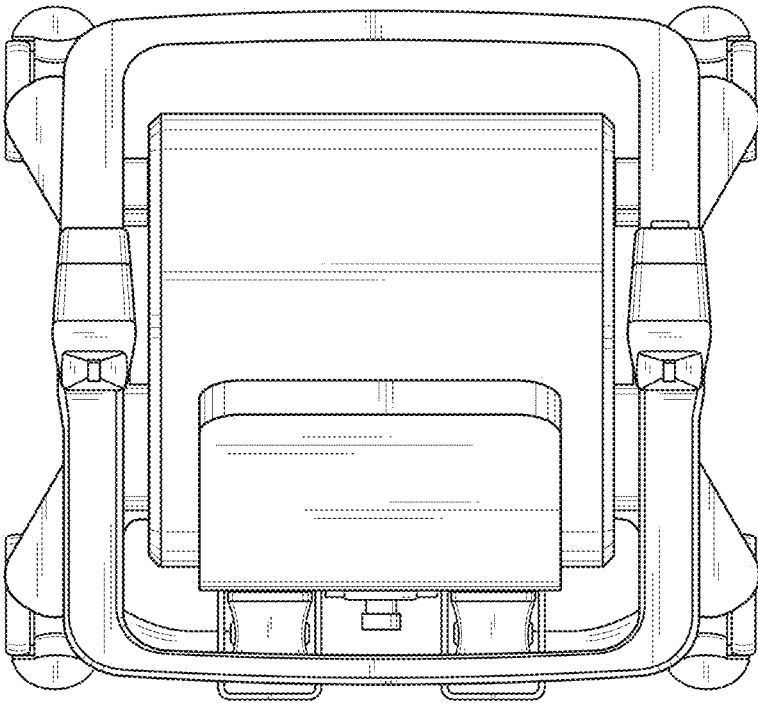


FIG. 6

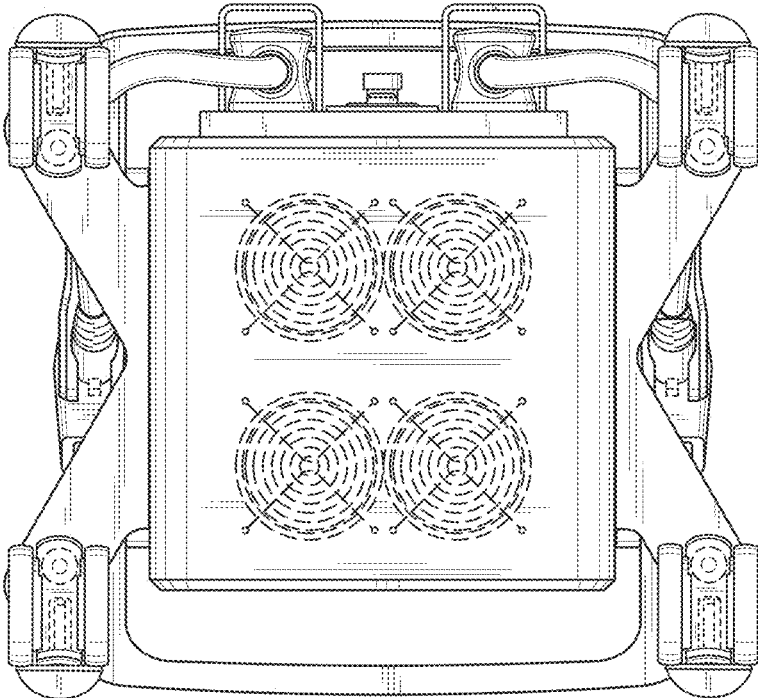


FIG. 7