



(12) **United States Design Patent**
Tian

(10) **Patent No.:** **US D968,998 S**
(45) **Date of Patent:** **** Nov. 8, 2022**

(54) **WATCH BAND**

FOREIGN PATENT DOCUMENTS

(71) Applicant: **Shenzhen Helizhongtuo Trading Co., Ltd.**, Guangdong (CN)

GB 6185609 * 1/2022
TR 650000-0001 * 1/2013

(72) Inventor: **Heli Tian**, Ji'an (CN)

OTHER PUBLICATIONS

(73) Assignee: **Shenzhen Helizhongtuo Trading Co., Ltd.**, Guangdong (CN)

Scalloped Silicone Apple Watch Band Laser Cut Womens Apple I
Etsy pp. 1-20 2022 https://www.etsy.com/listing/1200057714/scalloped-silicone-apple-watch-band?ga_order=most_relevant&ga_search_type=all&ga_view_type=galler%E2%80%A6 (Year: 2022).
Scalloped Lily Print Silicone Apple Watch Band 38MM 40MM 41MM I
Etsy pp. 1-19 2021 https://www.etsy.com/listing/1083195347/scalloped-lily-print-silicone-apple?ga_order=most_relevant&ga_search_type=all&ga_view_type=gallery&g%E2%80%A6 (Year: 2021).*

(**) Term: **15 Years**

(21) Appl. No.: **29/754,811**

(22) Filed: **Oct. 14, 2020**

(51) **LOC (13) Cl.** **11-01**

(52) **U.S. Cl.**
USPC **D11/3**

(58) **Field of Classification Search**
USPC D11/1-2, 3-6, 9-15, 17-22; D10/30-32
CPC A44C 5/0092
See application file for complete search history.

* cited by examiner

Primary Examiner — Kevin K Rudzinski
Assistant Examiner — Evans David Delesline
(74) *Attorney, Agent, or Firm* — ScienBiziP, P.C.

(56) **References Cited**

(57) **CLAIM**

The ornamental design for a watch band, as shown and described.

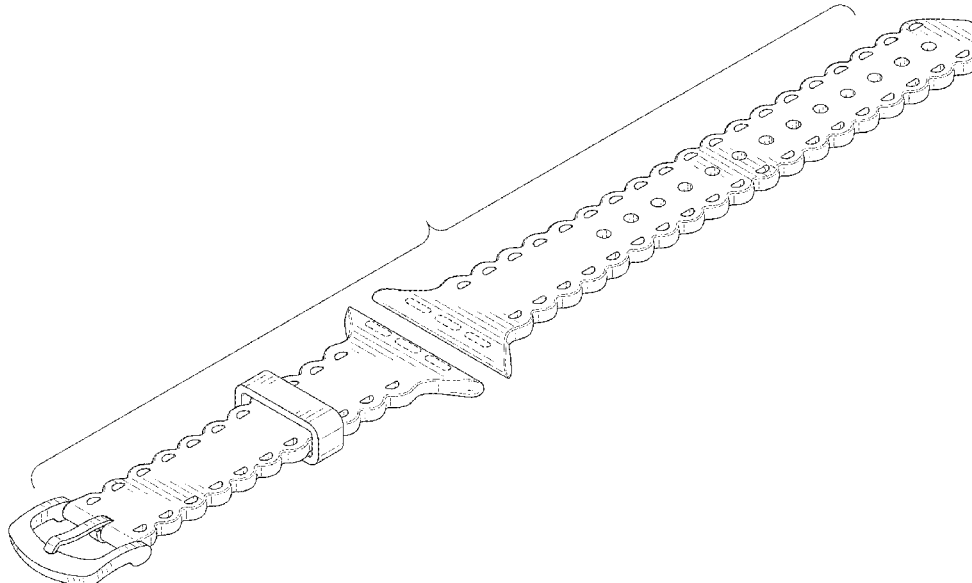
U.S. PATENT DOCUMENTS

DESCRIPTION

D72,496 S *	4/1927	Sabin	D10/32
D153,384 S *	4/1949	Philippe	D11/15
D155,768 S *	11/1949	Austin	D11/15
D361,727 S *	8/1995	Koga	D10/30
D390,476 S *	2/1998	Brzezinski	D10/32
D393,602 S *	4/1998	Sang	D11/3
D409,941 S *	5/1999	Spandrio	D11/3
D411,129 S *	6/1999	Chaney	D11/3
D491,818 S *	6/2004	Chodat	D10/32
D596,979 S *	7/2009	Fitzgerald	D11/6
D598,302 S *	8/2009	Moritz	D10/32
D729,105 S *	5/2015	Stegmann	D11/12
D740,709 S *	10/2015	Gatti	D11/3
D793,894 S *	8/2017	Schwaninger	D11/6
D865,536 S *	11/2019	Akana	D14/344
D913,142 S *	3/2021	Zanghi	D11/5

FIG. 1 is a front perspective view of a watch band, showing my design.
FIG. 2 is a rear perspective view thereof.
FIG. 3 is a front elevation view thereof.
FIG. 4 is a rear elevation view thereof.
FIG. 5 is a left side elevation thereof.
FIG. 6 is a right side elevation thereof.
FIG. 7 is a top plan view thereof; and,
FIG. 8 is a bottom plan view thereof.
The broken lines shown in the drawings represent portions of the watch band that form no part of the claimed design.

1 Claim, 8 Drawing Sheets



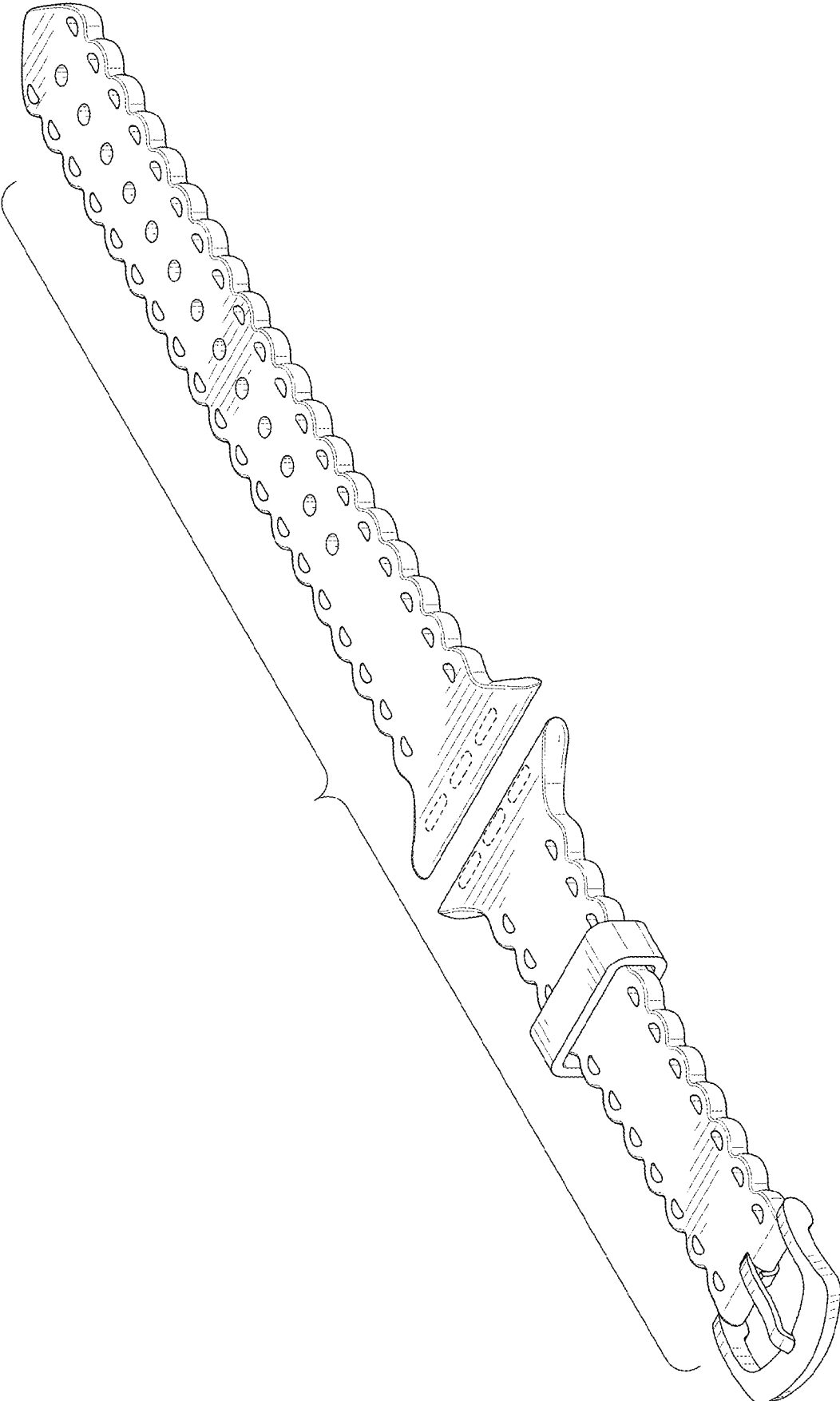


FIG. 1

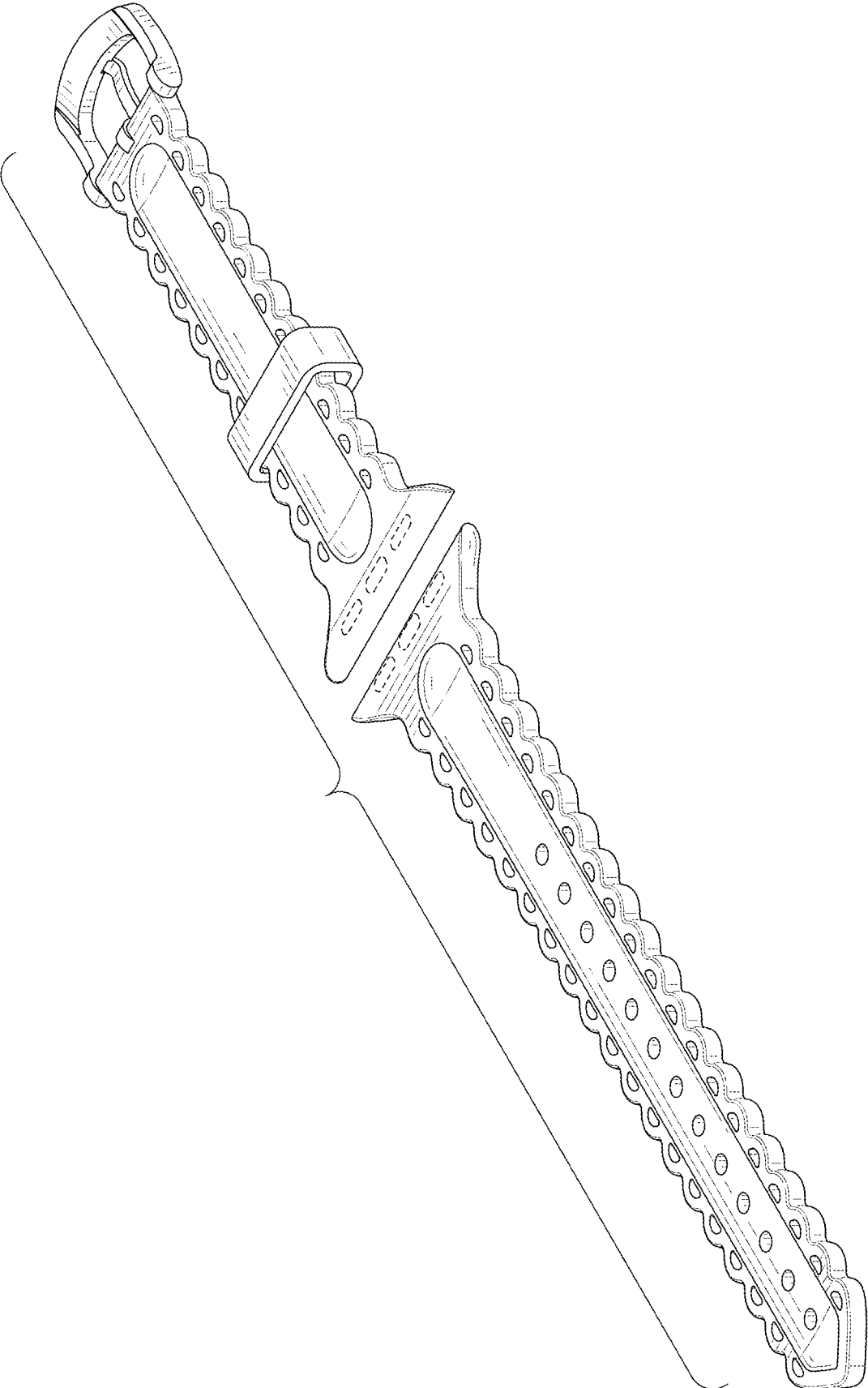


FIG. 2

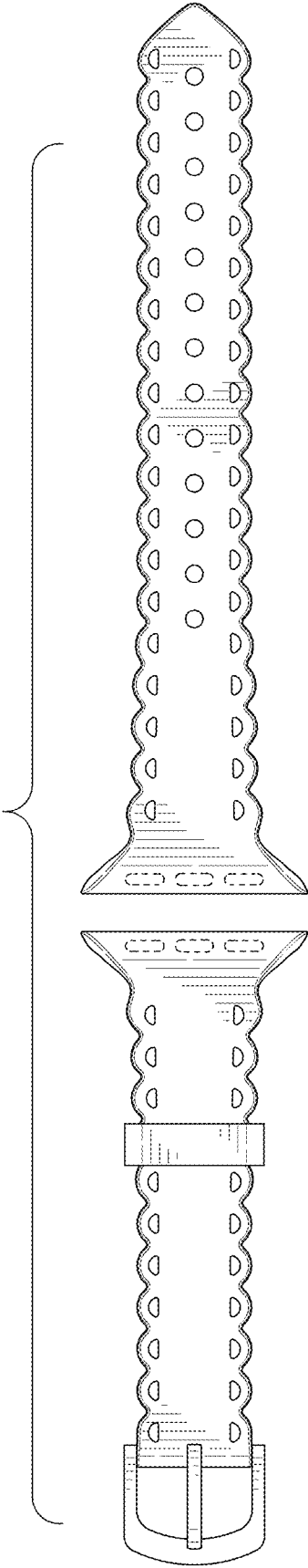


FIG. 3

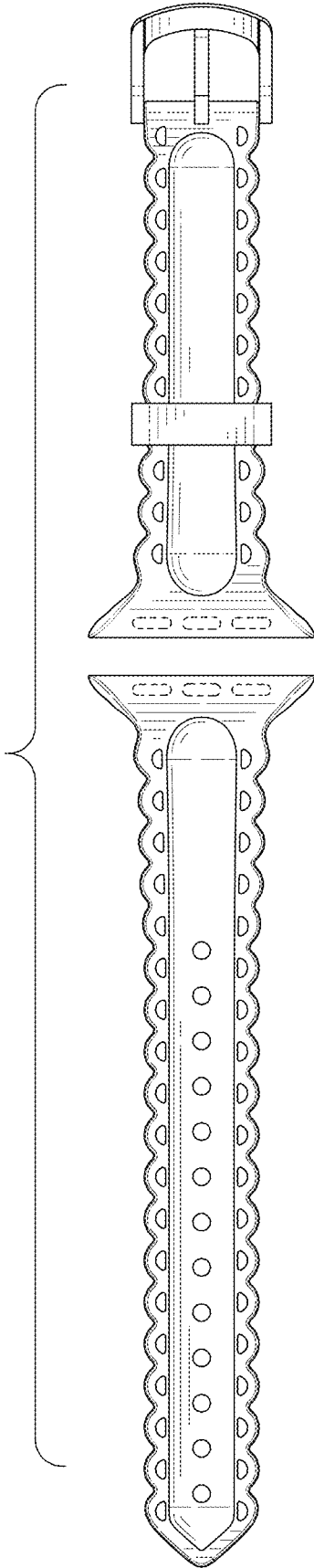


FIG. 4

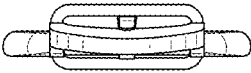


FIG. 5

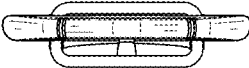


FIG. 6

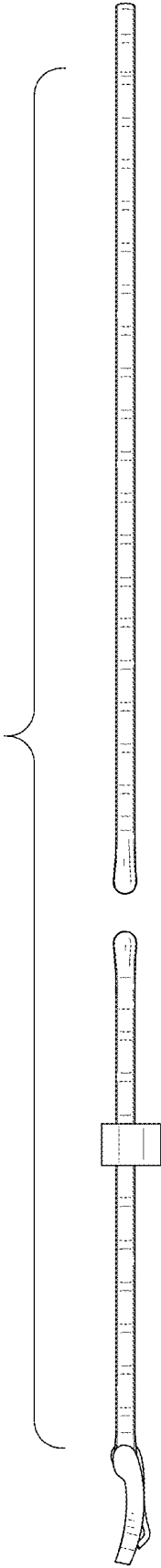


FIG. 7

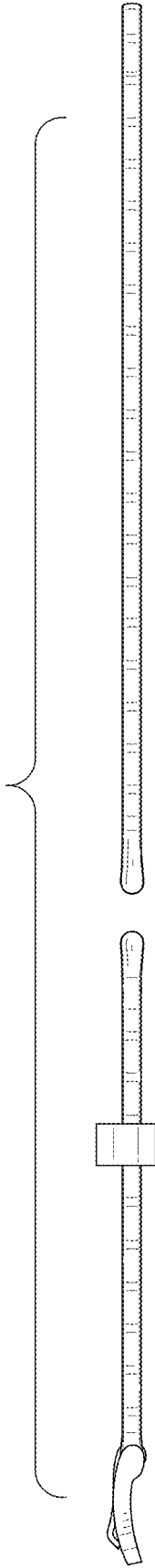


FIG. 8